

PRODUCT INFORMATION PACKET

Model No: LM15675

Catalog No: LM15675

General Purpose Motor, 10 HP, 3 Ph, 60 Hz, 230/460 V, 1200 RPM, 256T Frame, TEFC



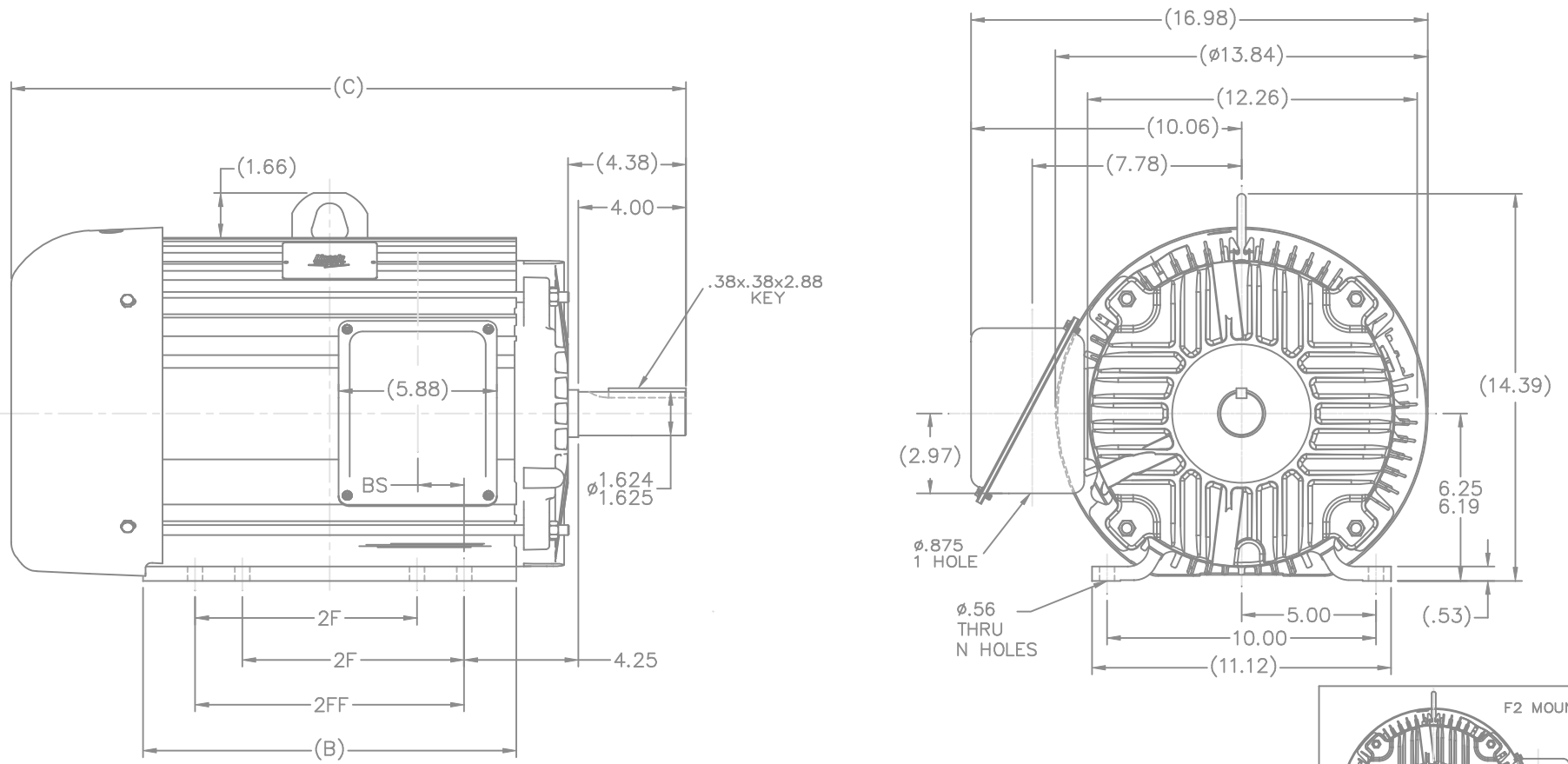
Regal and are trademarks of Regal Rexnord Corporation or one of its affiliated companies.
©2022 Regal Rexnord Corporation, All Rights Reserved. MC017097E

Nameplate Specifications

Output HP	10 Hp	Output KW	7.5 kW
Frequency	60 Hz	Voltage	230/460 V
Current	26.2/13.1 A	Speed	1176 rpm
Service Factor	1.25	Phase	3
Efficiency	91 %	Power Factor	79
Duty	Continuous	Insulation Class	F
Design Code	B	KVA Code	H
Frame	256T	Enclosure	Totally Enclosed Fan Cooled
Thermal Protection	No Protection	Ambient Temperature	40 °C
Drive End Bearing Size	309	Opp Drive End Bearing Size	208
UL	Recognized	CSA	Y
CE	Y	IP Code	43
Number of Speeds	1		

Technical Specifications

Electrical Type	Squirrel Cage Induction Run	Starting Method	Across The Line
Poles	6	Rotation	Reversible
Resistance Main	.934 Ohms	Mounting	Rigid Base
Motor Orientation	Horizontal	Drive End Bearing	Ball
Opp Drive End Bearing	Ball	Frame Material	Aluminum
Shaft Type	T	Overall Length	25.15 in
Frame Length	13.75 in	Shaft Diameter	1.625 in
Shaft Extension	4 in	Assembly/Box Mounting	F1/F2 CAPABLE
Connection Drawing	EE7308-LN	Outline Drawing	SS321100LN-1375



NOTES:
 1. CONDUIT BOX CAN BE ROTATED IN 90° STEPS.
 2. NAMEPLATES TO BE READ FROM CONDUIT BOX SIDE OF MOTOR.

DASH	FR.	C	B	BS	2F	2FF	N
1200	254T	23.40	12.13	1.73	8.25	10.00	4
1375	254/6T	25.15	13.88	1.73	8.25	10.00	8

		TOLERANCES UNLESS SPECIFIED		Lincoln MOTORS		DRAWN MJK 03-29-2004					
		DEC. INCHES				CHK ML 03-29-2004					
3	B DIM 12.13 WAS 12.00, AND 13.88 WAS 13.75 CN 29200-3584	MJK	05/18/2004	.X	±.1	APPD	JPL 03-29-2004				
2	25.15 WAS 25.65, 23.40 WAS 23.90 CN 32681	MJK	05/04/2004	.XX	±.03	SCALE	1=4				
1	(4.38) WAS (4.37), Ø1.624/1.625 WAS Ø1.624/1.624 CN 32681	MJK	04/29/2004	.XXX	±.005	TITLE OUTLINE	REF				
				.XXXX	±.0005	250T FR - ALUM. FR. - TEFC	FMF				
NO.	REVISION	BY & DATE	CHK	ANG	±7'30"	MAT'L	PREV				
THIS DRAWING IN DESIGN AND DETAIL IS OUR PROPERTY AND MUST NOT BE USED EXCEPT IN CONNECTION WITH OUR WORK ALL RIGHTS OF DESIGN AND INVENTION ARE RESERVED THIS IS AN ELECTRONICALLY GENERATED DOCUMENT - DO NOT SCALE THIS PRINT				RFP		CAD FILE ss321100ln	SIZE	DRAWING NO.	PAGE	OF	REV.
				DIST	LB		B	SS321100LN	3		3

THREE PHASE
DUAL VOLTAGE MOTOR

HIGH VOLTAGE



LOW VOLTAGE



VIEW OF TERMINAL END

REF.
WINDING DIAGRAM

T8Y, T2Y, T2BL, T4BX, T2EC, T2G
T6BZ, T2B, T6BL, T4AV, T6B, T4B

OPTIONAL CORD
CONNECTION

L1 WHITE
L2 RED
L3 BLACK

NO.	REVISION	BY & DATE	CHK	TOLERANCES UNLESS SPECIFIED		FINISH	DRAWN	DATE		
				DEC.	INCHES					
				.X	±.1		BLR	06/11/1999		
							ML	06/18/1999		
							GK	06/18/1999		
3	ADDED THE OPTIONAL CORD CONNECTION MU46318	RDH 04/24/2003	DRS	.XX	±.02	TITLE CONNECTION DIAGRAM		SCALE 1=1		
2	RE-ISSUE, ADDED '-' TO PART NUMBER	BLR 08/09/1999	GK	.XXX	±.005	3∅ - DUAL VOLTAGE MOTOR		REF		
1	NEW DRAWING	BLR 06/18/1999	GK	.XXXX	±.0005	MAT'L.		FMF		
				ANG	±7'30"			PREV		
THIS DRAWING IN DESIGN AND DETAIL IS OUR PROPERTY AND MUST NOT BE USED EXCEPT IN CONNECTION WITH OUR WORK ALL RIGHTS OF DESIGN AND INVENTION ARE RESERVED THIS IS AN ELECTRONICALLY GENERATED DOCUMENT - DO NOT SCALE THIS PRINT				RFP	CAD FILE EE7308LN			SIZE	DRAWING NO. PAGE OF	REV.
				DIST WP				A	EE7308-LN	3





CERTIFICATION DATA SHEET

**2100 WASHINGTON ST.
GRAFTON, WI
PH. 262-277-8810**

CONN. DIAGRAM: A-EE7308-LN

OUTLINE: B-SS321100LN-1375

CATALOG # : LM15675

WINDING #: 256674 R16 6

MOUNTING: F1/F2 CAPABLE

TYPICAL MOTOR PERFORMANCE DATA

HP	kW	SYNC. RPM	F.L. RPM	FRAME	ENCLOSURE	KVA CODE	DESIGN
10&10	7.46&7.46	1200	1176&965	256T	TEFC	H	B

PH	Hz	VOLTS	AMPS	START TYPE	DUTY	INSL	S.F.	AMB°C
3	60/50	230/460&380-415	26.2/13.1&15.5-14.5	ACROSS THE LINE	CONTINUOUS	F3	1.25/1.0	40

FULL LOAD EFF:	91&89.5	3/4 LOAD EFF:	91	1/2 LOAD EFF:	90.2	GTD. EFF		ELEC. TYPE
FULL LOAD PF:	79&82	3/4 LOAD PF:	72.5	1/2 LOAD PF:	61	90.2		SQ CAGE IND RUN

F.L. TORQUE	LOCKED ROTOR AMPS	L.R. TORQUE	B.D. TORQUE	F.L. RISE°C
44.7 LB-FT	162 / 81	92 LB-FT 206 %	139 LB-FT 311 %	40

SOUND PRESSURE @ 3 FT.	SOUND POWER	ROTOR WK^2	MAX. WK^2	SAFE STALL TIME	STARTS / HOUR	APPROX. MOTOR WGT
56 dba	66 dba	3 LB-FT^2	225 LB-FT^2	20 SEC.	2	450 LBS.

***** SUPPLEMENTAL INFORMATION *****

DE BRACKET TYPE	ODE BRACKET TYPE	MOUNT TYPE	ORIENTATION	SEVERE DUTY	HAZARDOUS LOCATION	DRIP COVER	SCREENS	PAINT
STANDARD	STANDARD	RIGID	HORIZONTAL	FALSE	NONE	FALSE	NONE	GRAY (ENAMEL)

BEARINGS		GREASE	SHAFT TYPE	SPECIAL DE	SPECIAL ODE	SHAFT MATERIAL	FRAME MATERIAL
DE	ODE						
BALL	BALL	POLYREX EM	T	NONE	NONE	1045 HOT ROLLED (C-204)	ALUMINUM
309	208						

THERMO-PROTECTORS				THERMISTORS	CONTROL	SPACE HEATERS
THERMOSTATS	PROTECTORS	WDG RTDs	BRG RTDs			
NONE	NOT	NONE	NONE	NONE	FALSE	NONE VOLTS

*
N
O
T
E
S
*

INVERTER TORQUE:	NONE
INV. HP SPEED RANGE:	NONE
ENCODER:	NONE
	NONE NONE
	NONE NONE PPR
BRAKE:	NONE NONE
	NONE P/N NONE
	NONE NONE
	FT-LB V NONE Hz

Data Sheet

Date: 1/18/2018

LM15675



Data @ 460 V

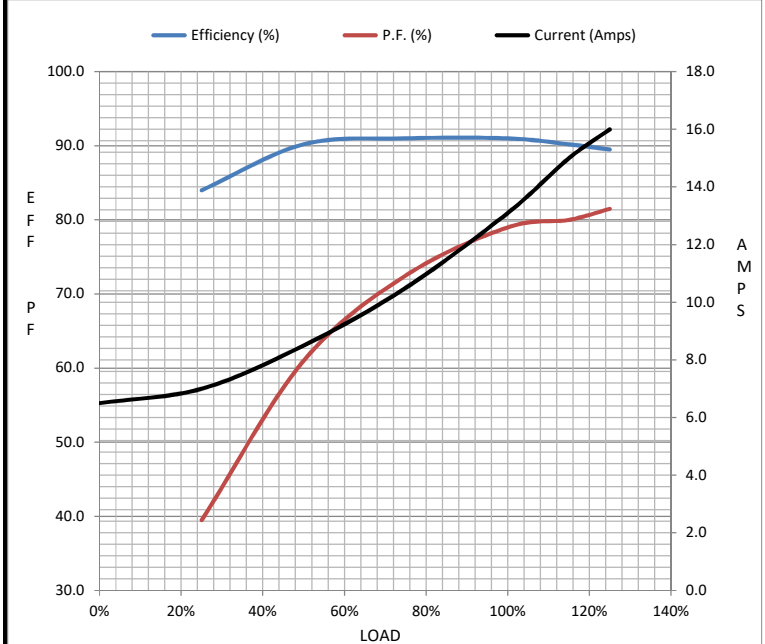
Motor Load Data

Load	0%	25%	50%	75%	100%	115%	125%	LR
Current (Amps)	6.5	7.0	8.5	10.5	13.1	15.0	16.0	81.0
Torque (ft-lb)	0.00	11.0	22.0	33.5	44.7	51.0	56.0	92.0
RPM	1200	1195	1190	1180	1176	1,170	1165	0
Efficiency (%)		84.0	90.2	91.0	91.0	90.2	89.5	
P.F. (%)	5.5	39.5	61.0	72.5	79.0	80.0	81.5	41.0

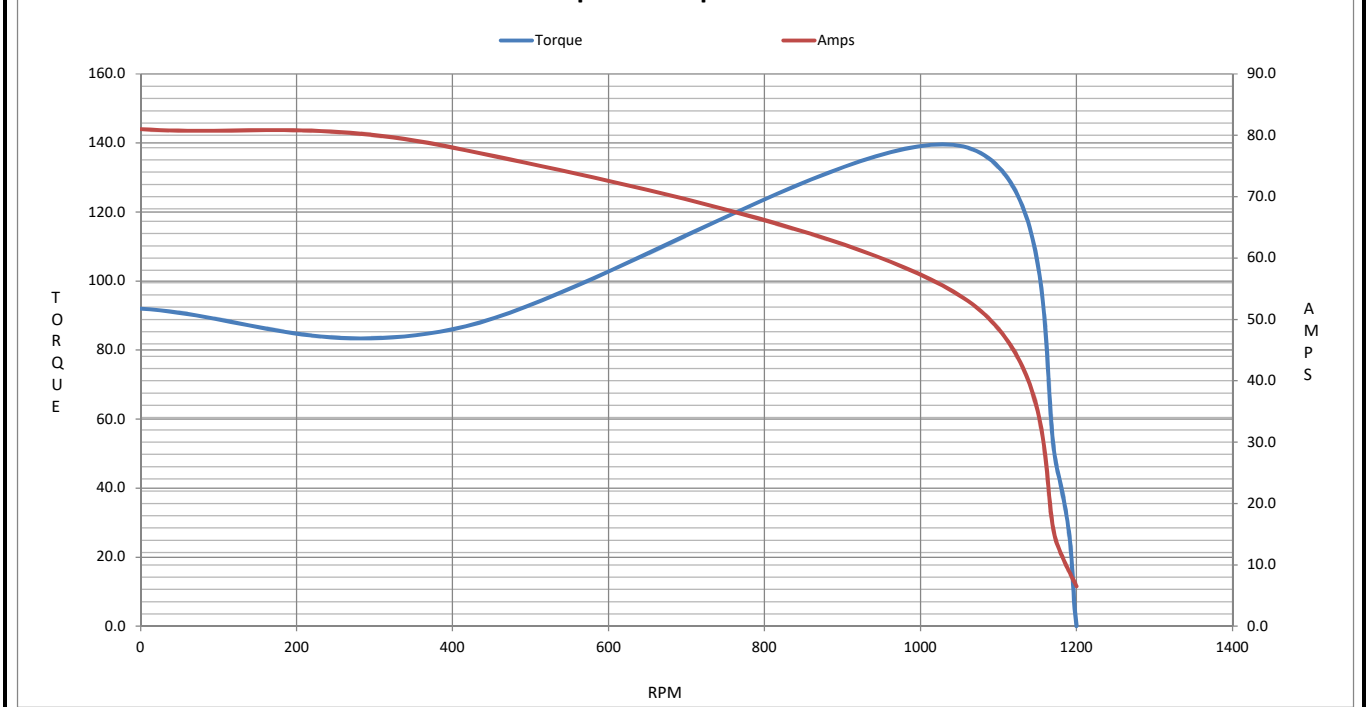
Motor Speed Data

	LR	Pull-Up	BD	Rated	Idle
Speed (RPM)	0	400	1055	1176	1200
Current (Amps)	81.0	78.0	53.5	13.1	6.5
Torque (ft-lb)	92.0	86.0	139	44.7	0.00

Information Block				
HP	10.0			
Sync. RPM	1200			
Frame	256			
Enclosure	TEFC			
Construction	TFY			
Voltage	230/460#380-415 V			
Frequency	60 Hz			
Design	B			
LR Code letter	H			
Service Factor	1.15			
Temp Rise @ FL	40 °C			
Duty	CONT			
Ambient	40 °C			
Elevation	1,000 feet			
Rotor/Shaft wk ²	3.0 Lb-Ft ²			
Ref Wdg	256674 R16			
Sound Pressure @ 1M	56 dBA			
VFD Rating	NONE			
Outline Dwg	B-SS321100LN-1375			
Conn. Diag	A-EE7308-LN			
Additional Specifications:				
0				
0				
EQUIV CKT (OHMS / PHASE)				
R1	R2	X1	X2	Xm
0.5710	0.4910	2.2380	2.5130	43.1680



Speed - Torque Curve



EC Declaration of Conformity

The undersigned representing
the manufacturer:

Regal Beloit America
100 East Randolph St.
Wausau, WI 54401

and the authorized representative
established within the Community:

Marathon Electric UK
6F Thistleton Road Ind. Estate
Market Overton
Oakham, Rutland LE15 7PP UK

are committed to providing customers with products that comply with applicable regulations and international protocols to which they are subject, including the requirements of the European Parliament Directive on the Harmonization of the laws relating to electrical equipment designed for use within certain voltage limits (2014/35/EU).

Regal Beloit America declares that the following product(s), to which this declaration relates, are in conformity with the relevant sections of the EC standards listed below.

This statement supersedes any statements previously issued pertaining to the product(s) listed below and is subject to change without notice.

Model No : LM15675

(Model No. may contain prefix and/or suffix characters)

Catalog No : LM15675

Rework No : N/A

Directives :

Low Voltage Directive 2014/35/EU

Harmonized Standards Used :

EN 60034-1: 2010 (IEC 60034-1: 2010)

EN 60034-5: 2001/A1:2007 (IEC 60034-5: 2000/A1:2006)

Authorized Representative:



Michael A. Logsdon
Vice President, Technology

Authorized Representative in the Community:



Julian Clark
Marketing Engineer

Created on 09/01/2022

CE 22