

PRODUCT INFORMATION PACKET

Model No: LM16757

Catalog No: LM16757

General Purpose Motor, 10 HP, 3 Ph, 60 Hz, 230/460 V, 1800 RPM, 215TC Frame, TEFC



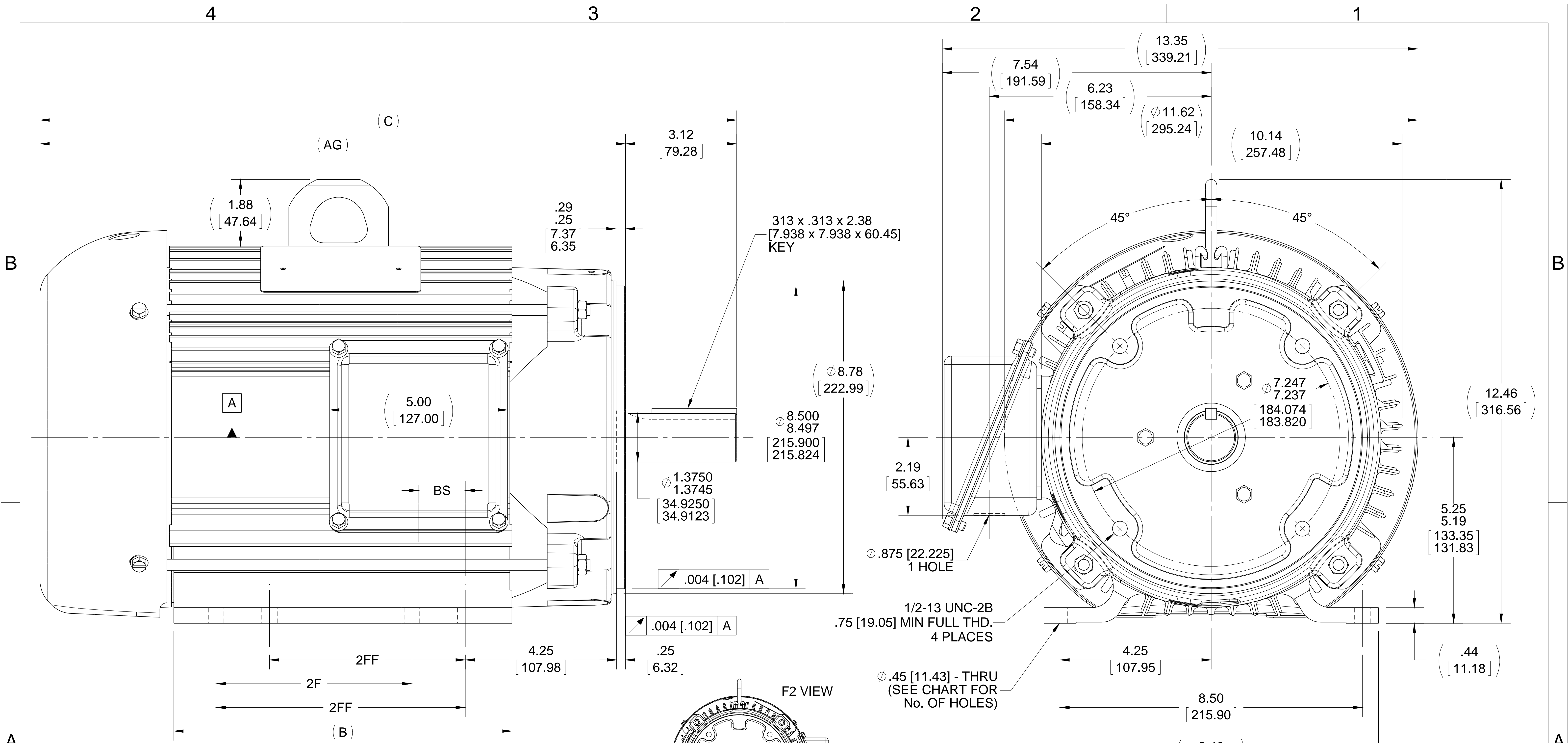
Regal and are trademarks of Regal Rexnord Corporation or one of its affiliated companies.
©2022 Regal Rexnord Corporation, All Rights Reserved. MC017097E

Nameplate Specifications

Output HP	10 Hp	Output KW	7.5 kW
Frequency	60 Hz	Voltage	230/460 V
Current	25.0/12.5 A	Speed	1765 rpm
Service Factor	1.25	Phase	3
Efficiency	91.7 %	Power Factor	82
Duty	Continuous	Insulation Class	F
Design Code	B	KVA Code	G
Frame	215TC	Enclosure	Totally Enclosed Fan Cooled
Thermal Protection	No Protection	Ambient Temperature	40 °C
Drive End Bearing Size	6208	Opp Drive End Bearing Size	6206
UL	Recognized	CSA	Y
CE	Y	IP Code	43
Number of Speeds	1		

Technical Specifications

Electrical Type	Squirrel Cage Induction Run	Starting Method	Across The Line
Poles	4	Rotation	Reversible
Resistance Main	.894 Ohms	Mounting	Rigid Base
Motor Orientation	Horizontal	Drive End Bearing	Ball
Opp Drive End Bearing	Ball	Frame Material	Aluminum
Shaft Type	T	Overall Length	19.57 in
Frame Length	9.50 in	Shaft Diameter	1.375 in
Shaft Extension	3.38 in	Assembly/Box Mounting	F1/F2 CAPABLE
Connection Drawing	EE7308-LN	Outline Drawing	SS330102LN-950



NOTES:
 1- BOX CAN BE ROTATED IN 90° STEPS.
 2- NAMEPLATE TO BE READ FROM C'BOX SIDE OF MOTOR.

DASH	FRAME	B	C	AG	2F	2FF	BS	No. OF MTG HOLES
800	213TC	8.12 [206.25]	18.07 [458.98]	14.95 [379.73]	5.50 [139.70]	---	1.33 [33.76]	4
950	213/5TC	9.62 [244.35]	19.57 [497.08]	16.45 [417.83]	5.50 [139.70]	7.00 [177.80]	1.33 [33.76]	8
1050	215TC	10.62 [269.75]	20.57 [522.48]	17.45 [443.23]	7.00 [177.80]	8.00 [203.20]	1.33 [33.76]	8

DRAWING REVISION F
 ECO ECO-0073312
 ECO DESCRIPTION
 UPDATED TO CURRENT STADNARDS
 COPYRIGHT REGAL BELOIT AMERICA, INC. ALL RIGHTS RESERVED. PROPRIETARY AND CONFIDENTIAL INFORMATION - THIS DOCUMENT IS THE PROPERTY OF REGAL BELOIT AMERICA, INC. ("OWNER") AND CONTAINS OWNER'S PROPRIETARY INFORMATION. ANY PERSON, CORPORATION OR OTHER FIRM RECEIVING IT IS DEEMED, BY RECEIVING IT, TO AGREE THAT IT, AND/OR ANY PART OF IT, SHALL NOT BE DISCLOSED TO ANY PERSON, CORPORATION OR OTHER ENTITY, DUPLICATED, AND/OR USED, EXCEPT AS EXPRESSLY APPROVED IN WRITING IN ADVANCE BY OWNER. THIS DOCUMENT SHALL BE RETURNED TO OWNER UPON REQUEST. IT MAY BE SUBJECT TO CERTAIN RESTRICTIONS UNDER APPLICABLE EXPORT CONTROL LAWS AND REGULATIONS.

TOLERANCES UNLESS OTHERWISE SPECIFIED:
 DEC. INCH mm ANGLE
 .X ±0.1 [±2.5] ±7° 30"
 .XX ±0.03 [±0.76]
 .XXX ±0.005 [±0.127]
 .XXXX ±0.0005 [±0.0127]
 REMOVE BURRS & BREAK SHARP EDGES: .003/.015 [0.076/.381] X 45°
 CORNER FILLETS: R.02 [.51]
 MACHINED SURFACES: 200 INCH mm 5.1
 mm SHOWN IN [BRACKETS]

DRAWN BY MJK
 DATE 08-30-2004
 APPROVED BY JPL
 DATE 09-02-2004
 REFERENCE
 THIRD ANGLE PROJECTION

REGAL™ Regal Beloit America, Inc.
 DESCRIPTION
OUTLINE
 210TC FR - ALUM FR - TEFC
 MATERIAL PROCESS/FINISH
 SIZE B DRAWING NUMBER **SS330102LN** SHEET 1 OF 1

THREE PHASE
DUAL VOLTAGE MOTOR

HIGH VOLTAGE



LOW VOLTAGE



VIEW OF TERMINAL END

REF.
WINDING DIAGRAM

T8Y, T2Y, T2BL, T4BX, T2EC, T2G
T6BZ, T2B, T6BL, T4AV, T6B, T4B

OPTIONAL CORD
CONNECTION

L1 — WHITE
L2 — RED
L3 — BLACK

NO.	REVISION	BY & DATE	CHK	TOLERANCES UNLESS SPECIFIED		FINISH	DRAWN	ML	GK	SCALE	PAGE	OF	REV.
				DEC.	INCHES								
				.X	±.1		BLR	ML	GK	1=1			
3	ADDED THE OPTIONAL CORD CONNECTION MU46318	RDH 04/24/2003	DRS	.XX	±.02	TITLE CONNECTION DIAGRAM							
2	RE-ISSUE, ADDED '-' TO PART NUMBER	BLR 08/09/1999	GK	.XXX	±.005	3∅ - DUAL VOLTAGE MOTOR							
1	NEW DRAWING	BLR 06/18/1999	GK	.XXXX	±.0005	MAT'L.							
				ANG	±7'30"								
			RFP			CAD FILE EE7308LN	SIZE	DRAWING NO.	PAGE	OF			
			DIST	WP			A	EE7308-LN					3



DRAWN BLR 06/11/1999

CHK ML 06/18/1999

APPD GK 06/18/1999

SCALE 1=1

REF

FMF

PREV

THIS DRAWING IN DESIGN AND DETAIL IS OUR PROPERTY AND MUST NOT BE USED EXCEPT IN CONNECTION WITH OUR WORK ALL RIGHTS OF DESIGN AND INVENTION ARE RESERVED THIS IS AN ELECTRONICALLY GENERATED DOCUMENT - DO NOT SCALE THIS PRINT



CERTIFICATION DATA SHEET

**2100 WASHINGTON ST.
GRAFTON, WI
PH. 262-277-8810**

CONN. DIAGRAM: A-EE7308-LN

OUTLINE: B-SS330102LN-950

CATALOG : LM16757

WINDING #: K2154249 FL 1

MOUNTING: F1/F2 CAPABLE

TYPICAL MOTOR PERFORMANCE DATA

HP	kW	SYNC. RPM	F.L. RPM	FRAME	ENCLOSURE	KVA CODE	DESIGN
10&10	7.50&7.50	1800	1765&1450	215TC	TEFC	G	B

PH	Hz	VOLTS	AMPS	START TYPE	DUTY	INSL	S.F.	AMB°C
3	60/50	230/460&190/380	25/12.5&30/15	ACROSS THE LINE	CONTINUOUS	F3	1.25/1.0	40

FULL LOAD EFF:	91.7&89.5	3/4 LOAD EFF:	91.7	1/2 LOAD EFF:	91	GTD. EFF		ELEC. TYPE
FULL LOAD PF:	82&83.5	3/4 LOAD PF:	78	1/2 LOAD PF:	68	91		SQ CAGE IND RUN

F.L. TORQUE	LOCKED ROTOR AMPS	L.R. TORQUE	B.D. TORQUE	F.L. RISE°C
29.8 LB-FT	160 / 80	60 LB-FT 201 %	81 LB-FT 272 %	55

SOUND PRESSURE @ 3 FT.	SOUND POWER	ROTOR WK^2	MAX. WK^2	SAFE STALL TIME	STARTS / HOUR	APPROX. MOTOR WGT
62 dBA	72 dBA	1.2 LB-FT^2	192 LB-FT^2	20 SEC.	2	240 LBS.

***** SUPPLEMENTAL INFORMATION *****

DE BRACKET TYPE	ODE BRACKET TYPE	MOUNT TYPE	ORIENTATION	SEVERE DUTY	HAZARDOUS LOCATION	DRIP COVER	SCREENS	PAINT
C-FACE	STANDARD	RIGID	HORIZONTAL	FALSE	NONE	FALSE	NONE	GRAY (ENAMEL)

BEARINGS		GREASE	SHAFT TYPE	SPECIAL DE	SPECIAL ODE	SHAFT MATERIAL	FRAME MATERIAL
DE	ODE						
BALL	BALL	POLYREX EM	T	NONE	NONE	1045 HOT ROLLED (C-204)	ALUMINUM
6208	6206						

THERMO-PROTECTORS				THERMISTORS	CONTROL	SPACE HEATERS
THERMOSTATS	PROTECTORS	WDG RTDs	BRG RTDs			
NONE	NOT	NONE	NONE	NONE	FALSE	NONE VOLTS

*
N
O
T
E
S
*

INVERTER TORQUE:	NONE
INV. HP SPEED RANGE:	NONE
ENCODER:	NONE
	NONE NONE
	NONE NONE PPR
BRAKE:	NONE NONE
	NONE P/N NONE
	NONE NONE
	FT-LB NONE V NONE Hz

Data Sheet

Date: 1/31/2018

LM16757



Data @ **460 V**

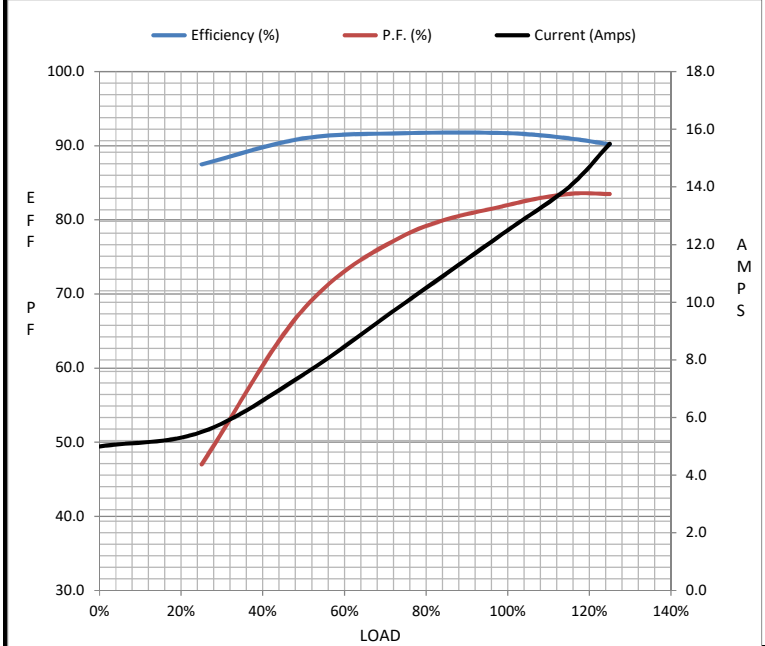
Motor Load Data

Load	0%	25%	50%	75%	100%	115%	125%	LR
Current (Amps)	5.0	5.5	7.5	10.0	12.5	14.0	15.5	80.0
Torque (ft-lb)	0.00	7.5	14.5	22.0	29.8	34.5	37.5	60.0
RPM	1800	1790	1785	1775	1765	1755	1750	0
Efficiency (%)		87.5	91.0	91.7	91.7	91.0	90.2	
P.F. (%)	6.5	47.0	68.0	78.0	82.0	83.5	83.5	42.0

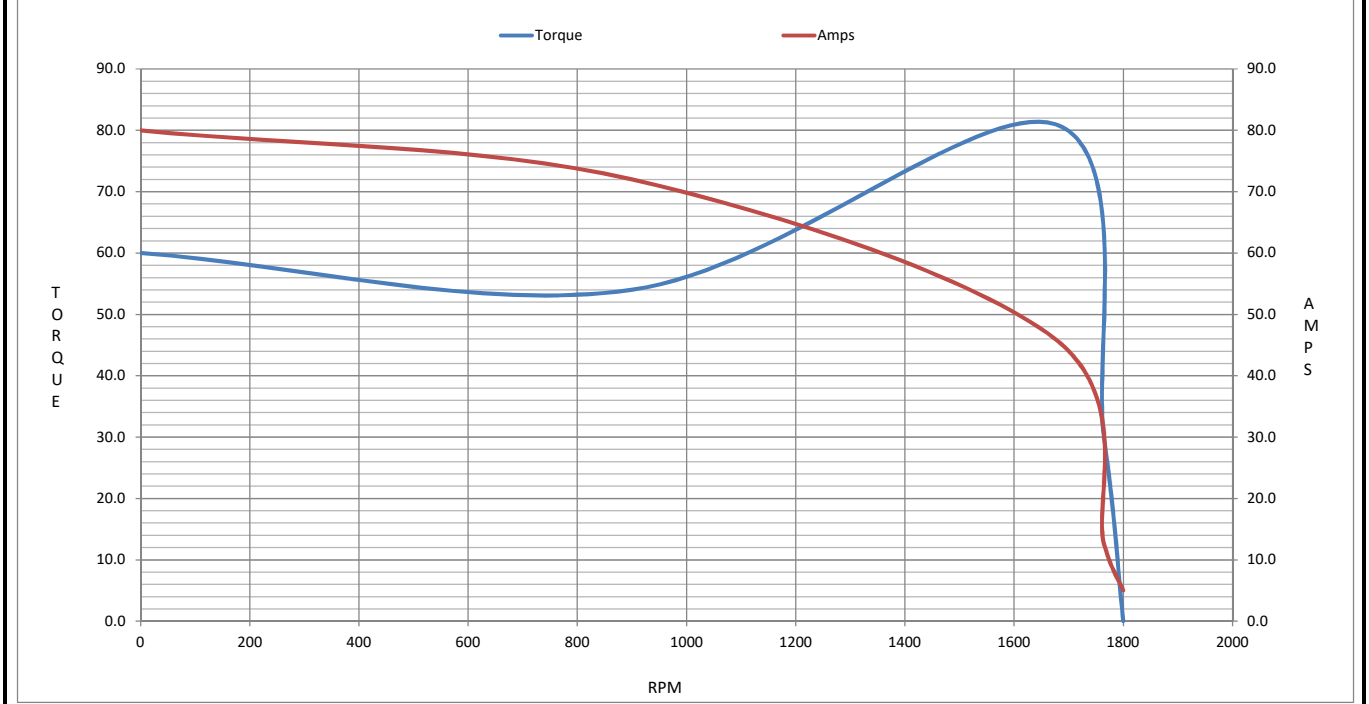
Motor Speed Data

	LR	Pull-Up	BD	Rated	Idle
Speed (RPM)	0	900	1675	1765	1800
Current (Amps)	80.0	72.0	46.0	12.5	5.0
Torque (ft-lb)	60.0	54.0	81.0	29.8	0.00

Information Block				
HP	10.0			
Sync. RPM	1800			
Frame	215			
Enclosure	TEFC			
Construction	TFL			
Voltage	230/460#190/380 V			
Frequency	60 Hz			
Design	B			
LR Code letter	G			
Service Factor	1.15			
Temp Rise @ FL	55 °C			
Duty	CONT			
Ambient	40 °C			
Elevation	1,000 feet			
Rotor/Shaft wk ²	1.20 Lb-Ft ²			
Ref Wdg	K2154249 FL			
Sound Pressure @ 1M	62 dBA			
VFD Rating	NONE			
Outline Dwg	B-SS330102LN-950			
Conn. Diag	A-EE7308-LN			
Additional Specifications:				
0				
0				
EQUIV CKT (OHMS / PHASE)				
R1	R2	X1	X2	Xm
0.5400	0.4880	2.0930	3.2090	51.1200



Speed - Torque Curve



EC Declaration of Conformity

The undersigned representing
the manufacturer:

Regal Beloit America
100 East Randolph St.
Wausau, WI 54401

and the authorized representative
established within the Community:

Marathon Electric UK
6F Thistleton Road Ind. Estate
Market Overton
Oakham, Rutland LE15 7PP UK

are committed to providing customers with products that comply with applicable regulations and international protocols to which they are subject, including the requirements of the European Parliament Directive on the Harmonization of the laws relating to electrical equipment designed for use within certain voltage limits (2014/35/EU).

Regal Beloit America declares that the following product(s), to which this declaration relates, are in conformity with the relevant sections of the EC standards listed below.

This statement supersedes any statements previously issued pertaining to the product(s) listed below and is subject to change without notice.

Model No : LM16757

(Model No. may contain prefix and/or suffix characters)

Catalog No : LM16757

Rework No : N/A

Directives :

Low Voltage Directive 2014/35/EU

Harmonized Standards Used :

EN 60034-1: 2010 (IEC 60034-1: 2010)

EN 60034-5: 2001/A1:2007 (IEC 60034-5: 2000/A1:2006)

Authorized Representative:



Michael A. Logsdon
Vice President, Technology

Authorized Representative in the Community:



Julian Clark
Marketing Engineer

Created on 09/01/2022

CE 22