

# PRODUCT INFORMATION PACKET

Model No: LM16772

Catalog No: LM16772

General Purpose Motor, 25 HP, 3 Ph, 60 Hz, 230/460 V, 1800 RPM, 284TC Frame, TEFC



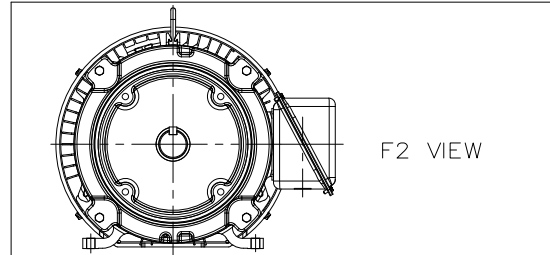
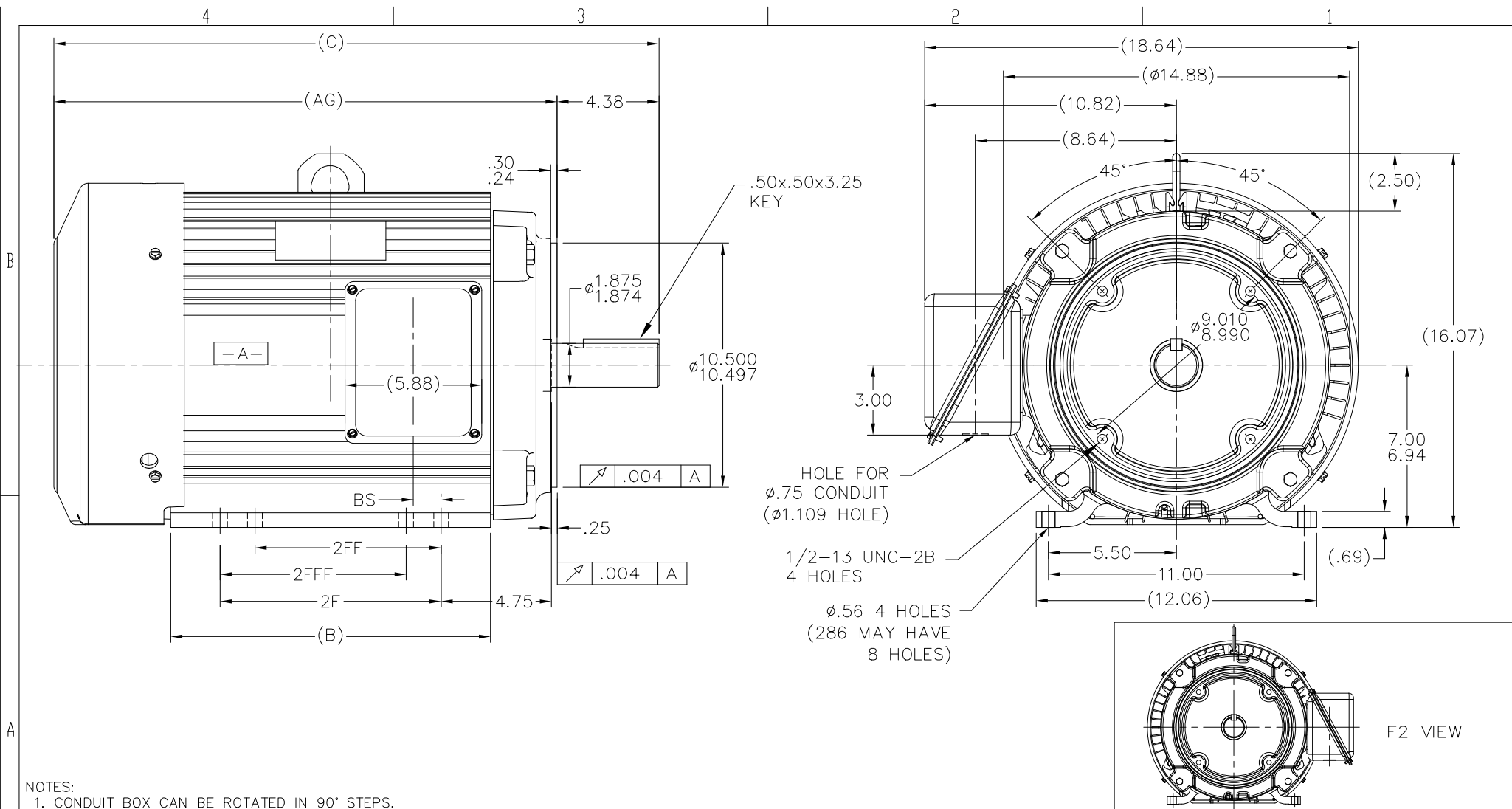
Regal and are trademarks of Regal Rexnord Corporation or one of its affiliated companies.  
©2022 Regal Rexnord Corporation, All Rights Reserved. MC017097E

**Nameplate Specifications**

Output HP	<b>25 Hp</b>	Output KW	<b>18.7 kW</b>
Frequency	<b>60 Hz</b>	Voltage	<b>230/460 V</b>
Current	<b>64.0/32.0 A</b>	Speed	<b>1777 rpm</b>
Service Factor	<b>1.25</b>	Phase	<b>3</b>
Efficiency	<b>93.6 %</b>	Power Factor	<b>79</b>
Duty	<b>Continuous</b>	Insulation Class	<b>F</b>
Design Code	<b>B</b>	KVA Code	<b>G</b>
Frame	<b>284TC</b>	Enclosure	<b>Totally Enclosed Fan Cooled</b>
Thermal Protection	<b>No Protection</b>	Ambient Temperature	<b>40 °C</b>
Drive End Bearing Size	<b>6312</b>	Opp Drive End Bearing Size	<b>6209</b>
UL	<b>Recognized</b>	CSA	<b>Y</b>
CE	<b>Y</b>	IP Code	<b>43</b>
Number of Speeds	<b>1</b>		

**Technical Specifications**

Electrical Type	<b>Squirrel Cage Induction Run</b>	Starting Method	<b>Wye Start Delta Run</b>
Poles	<b>4</b>	Rotation	<b>Reversible</b>
Resistance Main	<b>.286 Ohms</b>	Mounting	<b>Rigid Base</b>
Motor Orientation	<b>Horizontal</b>	Drive End Bearing	<b>Ball</b>
Opp Drive End Bearing	<b>Ball</b>	Frame Material	<b>Aluminum</b>
Shaft Type	<b>T</b>	Overall Length	<b>26.51 in</b>
Frame Length	<b>13.75 in</b>	Shaft Diameter	<b>1.875 in</b>
Shaft Extension	<b>4.62 in</b>	Assembly/Box Mounting	<b>F1/F2 CAPABLE</b>
Connection Drawing	<b>3A263-2</b>	Outline Drawing	<b>XF5F1SC1-1375</b>



- NOTES:
1. CONDUIT BOX CAN BE ROTATED IN 90° STEPS.
  2. CONDUIT BOX CAN BE MOUNTED ON OPPOSITE SIDE BY REMOVING BRACKETS AND TURNING FRAME 180°.
  3. NAMEPLATE TO BE READ FROM CONDUIT BOX SIDE OF MOTOR.

DASH	FRAME	C	B	AG	2F	2FF	2FFF	BS
1375	284TC	26.02	13.88	21.64	9.50			1.69
1525	286TC	27.52	15.38	23.14	11.00	9.50	9.50	1.69

DRAWING REVISION H	REVISION BY SP	REV DATE / © DATE 06-29-2021	TOLERANCES (EXCEPT AS NOTED): DEC. INCH MM _X ±.01 ±.3 .XX ±.001 ±.03 .XXX ±.0005 [±.013] .XXXX ±.0005 [±.013] REMOVE BURRS & BREAK SHARP EDGES: .003/.015 (.08/.38) X 45° CORNER FILLETS: R02 (.5) MACHINED SURFACES: 125 √ INCH / mm	DRAWN BY TJB	Regal Beloit America, Inc.
ECD CR-0001223	APPROVED BY AS	DATE 06-29-2021	ANGLE ± 0.5°	DATE 06-11-2002	
ECC DESCRIPTION 3C223-F3 FAN GUARD REPLACED WITH 310031A			THIRD ANGLE PROJECTION 	APPROVED BY TB	DESCRIPTION OUTLINE 280TC TEFC UE1
COPYRIGHT (PER REVISION DATED) REGAL, BELLOIT AMERICA, INC. ALL RIGHTS RESERVED. PROPRIETARY AND CONFIDENTIAL INFORMATION - THIS DOCUMENT IS THE PROPERTY OF REGAL, BELLOIT AMERICA, INC. (OWNER) AND CONTAINS OWNER'S PROPRIETARY INFORMATION. ANY PERSON, CORPORATION OR OTHER FOR RECEIVING IT IS DEEMED BY RECEIVING IT, TO AGREE THAT IT, AND/OR ANY PART OF IT, SHALL NOT BE DISCLOSED TO ANY PERSON, CORPORATION OR OTHER ENTITY, DUPLICATED, AND/OR USED, EXCEPT AS CORRECTLY APPROVED IN WRITING IN ADVANCE BY OWNER. THIS DOCUMENT SHALL BE RETURNED TO OWNER UPON REQUEST. IT MAY BE SUBJECT TO CERTAIN RESTRICTIONS UNDER APPLICABLE EXPORT CONTROL LAWS AND REGULATIONS.				DATE 06-14-2002	MATERIAL PROCESS/FINISH
			mm DIMENSIONS IN [BRACKETS] ARE FOR REFERENCE ONLY	REFERENCE	DRAWING NUMBER XF5F1SC1
				SIZE B	SHEET 1 OF 1



**CERTIFICATION DATA SHEET**

**2100 WASHINGTON ST.  
GRAFTON, WI  
PH. 262-277-8810**

**CONN. DIAGRAM:** 3A263-2

**OUTLINE:** XF5F1SC1-1375

**CATALOG # :** LM16772

**WINDING #:** L2844017 1

**MOUNTING:** F1/F2 CAPABLE

**TYPICAL MOTOR PERFORMANCE DATA**

HP	kW	SYNC. RPM	F.L. RPM	FRAME	ENCLOSURE	KVA CODE	DESIGN
25&20	18.7&14.9	1800	1777&1475	284TC	TEFC	G	B

PH	Hz	VOLTS	AMPS	START TYPE	DUTY	INSL	S.F.	AMB°C
3	60/50	230/460&380-415	64/32&31-30	WYE START DELTA RUN	CONTINUOUS	F3	1.25/1.15	40

<b>FULL LOAD EFF:</b>	93.6&93	<b>3/4 LOAD EFF:</b>	93.6	<b>1/2 LOAD EFF:</b>	93	<b>GTD. EFF</b>		<b>ELEC. TYPE</b>
<b>FULL LOAD PF:</b>	79&79	<b>3/4 LOAD PF:</b>	74	<b>1/2 LOAD PF:</b>	63.5	93		SQ CAGE IND RUN

F.L. TORQUE	LOCKED ROTOR AMPS	L.R. TORQUE	B.D. TORQUE	F.L. RISE°C
74 LB-FT	364 / 182	178 LB-FT 241 %	165 LB-FT 223 %	65

SOUND PRESSURE @ 3 FT.	SOUND POWER	ROTOR WK^2	MAX. WK^2	SAFE STALL TIME	STARTS / HOUR	APPROX. MOTOR WGT
- dBA	- dBA	0 LB-FT^2	- LB-FT^2	- SEC.	-	0 LBS.

**\*\*\* SUPPLEMENTAL INFORMATION \*\*\***

DE BRACKET TYPE	ODE BRACKET TYPE	MOUNT TYPE	ORIENTATION	SEVERE DUTY	HAZARDOUS LOCATION	DRIP COVER	SCREENS	PAINT
C-FACE	STANDARD	RIGID	HORIZONTAL	FALSE	NONE	FALSE	NONE	GRAY (ENAMEL)

BEARINGS		GREASE	SHAFT TYPE	SPECIAL DE	SPECIAL ODE	SHAFT MATERIAL	FRAME MATERIAL
DE	ODE						
BALL	BALL	POLYREX EM	T	NONE	NONE	1045 HOT ROLLED (C-204)	ALUMINUM
6312	6209						

THERMO-PROTECTORS				THERMISTORS	CONTROL	SPACE HEATERS
THERMOSTATS	PROTECTORS	WDG RTDs	BRG RTDs			
NONE	NOT	NONE	NONE	NONE	FALSE	NONE VOLTS

\*  
N  
O  
T  
E  
S  
\*

<b>INVERTER TORQUE:</b>	NONE
<b>INV. HP SPEED RANGE:</b>	NONE
<b>ENCODER:</b>	NONE NONE NONE NONE NONE PPR
<b>BRAKE:</b>	NONE NONE NONE P/N NONE NONE NONE FT-LB NONE V NONE Hz

Data Sheet

Date: 1/18/2018

LM16772



Data @ 460 V

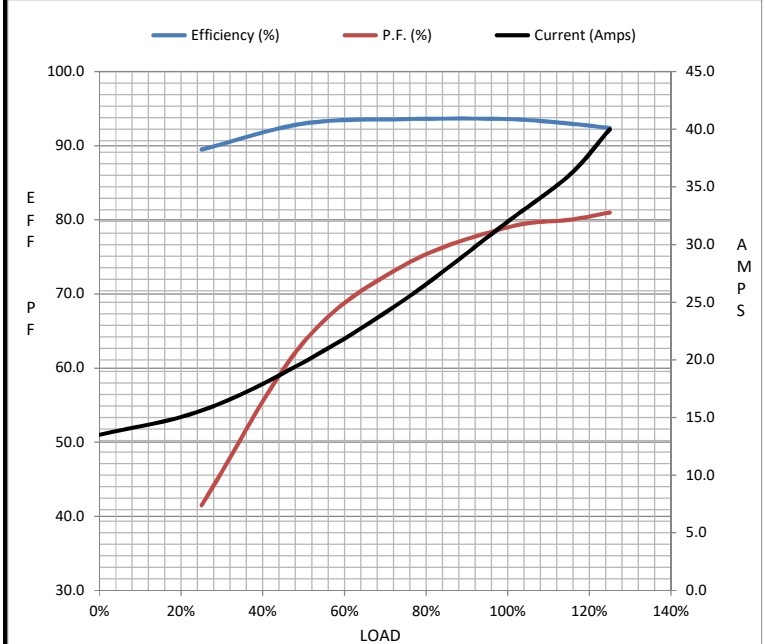
Motor Load Data

Load	0%	25%	50%	75%	100%	115%	125%	LR
Current (Amps)	13.5	15.6	19.8	25.3	32.0	36.0	40.0	182
Torque (ft-lb)	0.00	18.3	36.5	55.0	74.0	85.0	93.0	178
RPM	1800	1795	1790	1785	1777	1773	1770	0
Efficiency (%)		89.5	93.0	93.6	93.6	93.0	92.4	
P.F. (%)	3.5	41.5	63.5	74.0	79.0	80.0	81.0	44.0

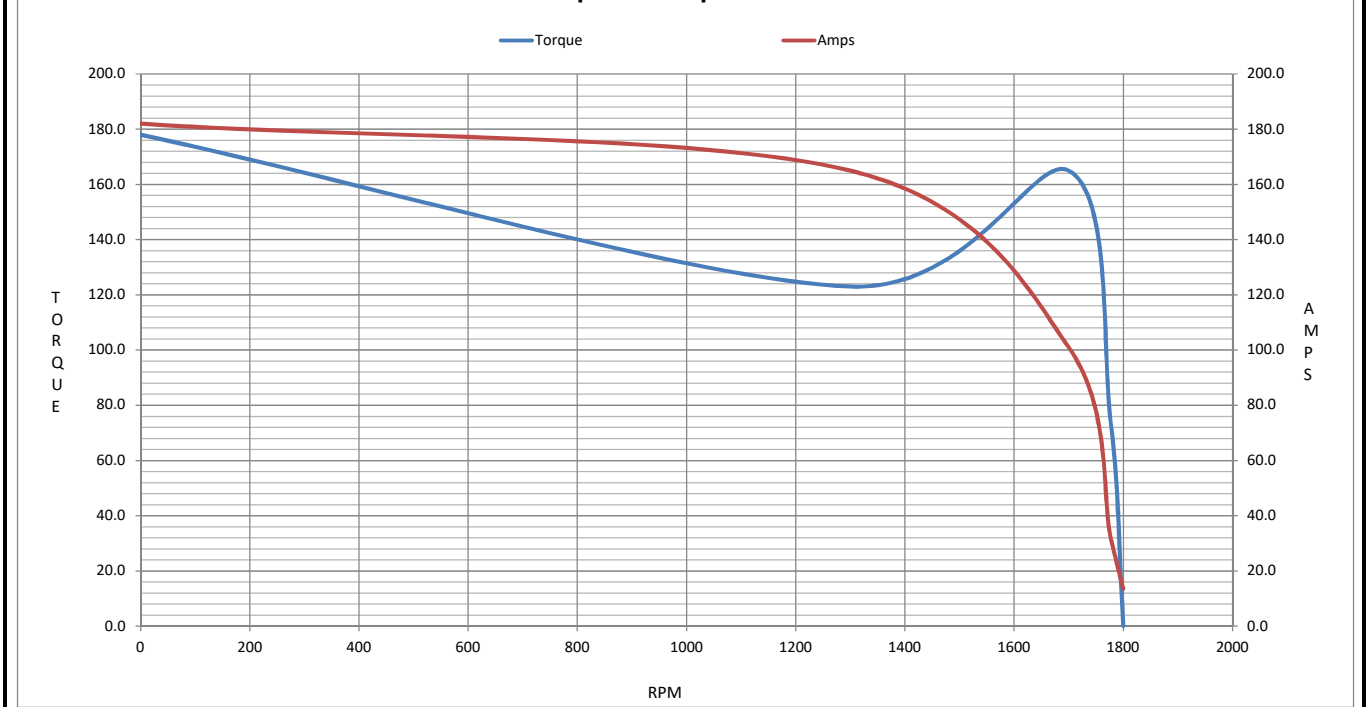
Motor Speed Data

	LR	Pull-Up	BD	Rated	Idle
Speed (RPM)	0	1300	1700	1777	1800
Current (Amps)	182	165	101	32.0	13.5
Torque (ft-lb)	178	123	165	74.0	0.00

Information Block				
HP	25.0			
Sync. RPM	1800			
Frame	284			
Enclosure	TEFC			
Construction	TFL			
Voltage	230/460#380-415 V			
Frequency	60 Hz			
Design	B			
LR Code letter	G			
Service Factor	1.15			
Temp Rise @ FL	65 °C			
Duty	CONT			
Ambient	40 °C			
Elevation	1,000 feet			
Rotor/Shaft wk <sup>2</sup>	0.00 Lb-Ft <sup>2</sup>			
Ref Wdg	L2844017 NONE			
Sound Pressure @ 1M	999 dBA			
VFD Rating	NONE			
Outline Dwg	XF5F1SC1-1375			
Conn. Diag	3A263-2			
Additional Specifications:				
0				
0				
EQUIV CKT (OHMS / PHASE)				
R1	R2	X1	X2	Xm
0.1920	0.1130	0.8480	1.4580	19.3230



Speed - Torque Curve



## EC Declaration of Conformity

The undersigned representing  
the manufacturer:

Regal Beloit America  
100 East Randolph St.  
Wausau, WI 54401

and the authorized representative  
established within the Community:

Marathon Electric UK  
6F Thistleton Road Ind. Estate  
Market Overton  
Oakham, Rutland LE15 7PP UK

are committed to providing customers with products that comply with applicable regulations and international protocols to which they are subject, including the requirements of the European Parliament Directive on the Harmonization of the laws relating to electrical equipment designed for use within certain voltage limits (2014/35/EU).

Regal Beloit America declares that the following product(s), to which this declaration relates, are in conformity with the relevant sections of the EC standards listed below.

This statement supersedes any statements previously issued pertaining to the product(s) listed below and is subject to change without notice.

Model No : LM16772

(Model No. may contain prefix and/or suffix characters)

Catalog No : LM16772

Rework No : N/A

Directives :

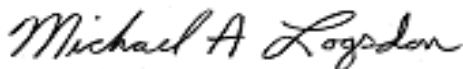
Low Voltage Directive 2014/35/EU

Harmonized Standards Used :

EN 60034-1: 2010 (IEC 60034-1: 2010)

EN 60034-5: 2001/A1:2007 (IEC 60034-5: 2000/A1:2006)

Authorized Representative:



Michael A. Logsdon  
Vice President, Technology

Authorized Representative in the Community:



Julian Clark  
Marketing Engineer

Created on 09/01/2022

**CE 22**