

PRODUCT INFORMATION PACKET

Model No: LM24133

Catalog No: LM24133

General Purpose Motor, 0.75 HP, 3 Ph, 60 Hz, 230/460 V, 3600 RPM, 56 Frame, TEFC



Regal and are trademarks of Regal Rexnord Corporation or one of its affiliated companies.
©2022 Regal Rexnord Corporation, All Rights Reserved. MC017097E

Nameplate Specifications

Output HP	0.75 Hp	Output KW	0.56 kW
Frequency	60 Hz	Voltage	230/460 V
Current	3.2/1.6 A	Speed	3450 rpm
Service Factor	1.15	Phase	3
Efficiency	74 %	Power Factor	69
Duty	Continuous	Insulation Class	F
Design Code	B	KVA Code	N
Frame	56	Enclosure	Totally Enclosed Fan Cooled
Thermal Protection	No Protection	Ambient Temperature	40 °C
Drive End Bearing Size	203	Opp Drive End Bearing Size	203
UL	Recognized	CSA	Y
CE	N	IP Code	43
Number of Speeds	1		

Technical Specifications

Electrical Type	Squirrel Cage Induction Run	Starting Method	Across The Line
Poles	2	Rotation	Reversible
Resistance Main	0 Ohms	Mounting	Rigid Base
Motor Orientation	Horizontal	Drive End Bearing	Ball
Opp Drive End Bearing	Ball	Frame Material	Rolled Steel
Shaft Type	NEMA 56	Overall Length	11.82 in
Frame Length	6.56 in	Shaft Diameter	0.625 in
Shaft Extension	1.88 in	Assembly/Box Mounting	F1 ONLY
Connection Drawing	EE7308-LN	Outline Drawing	108649-656

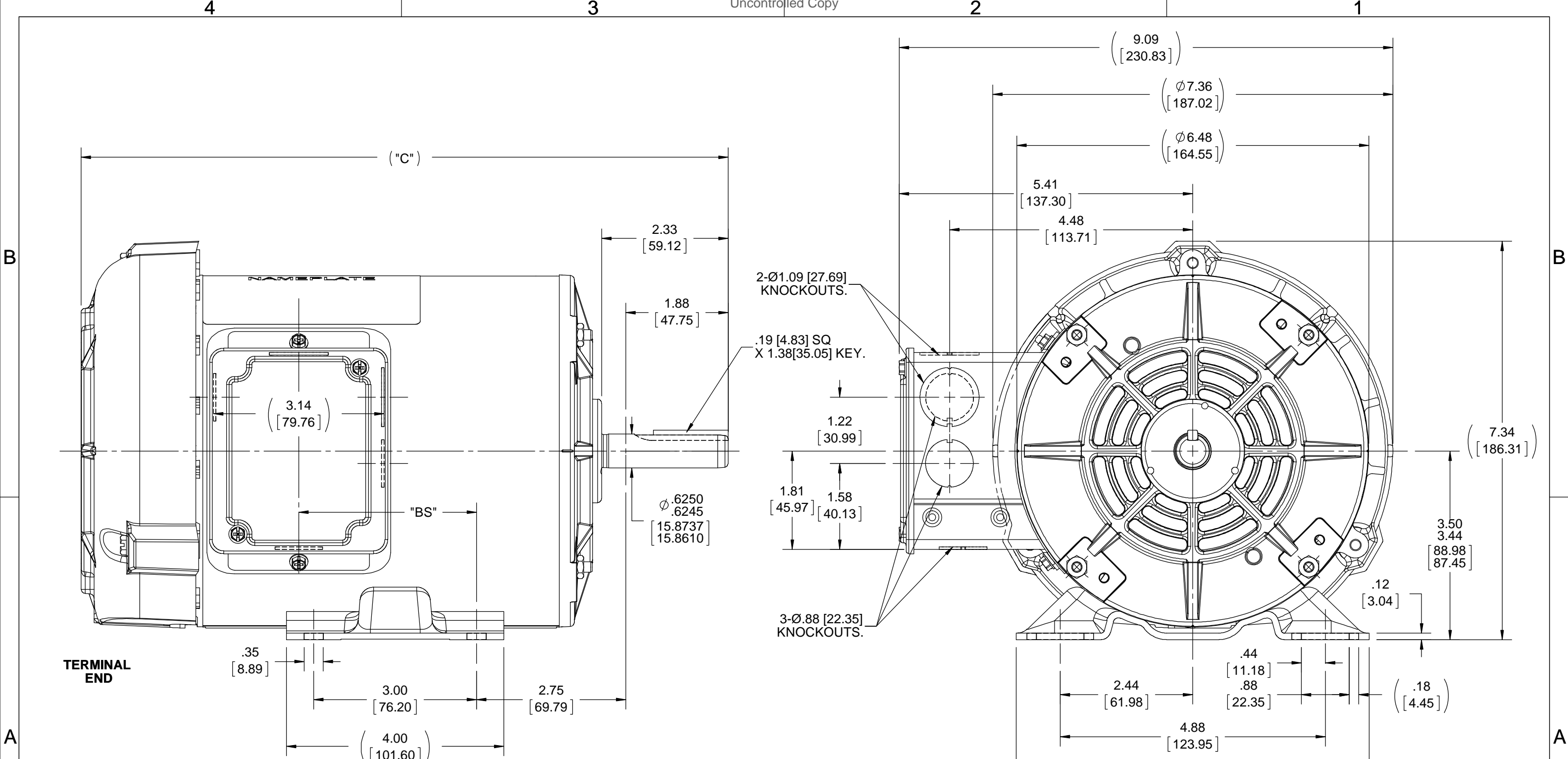
4

3

Uncontrolled Copy

2

1



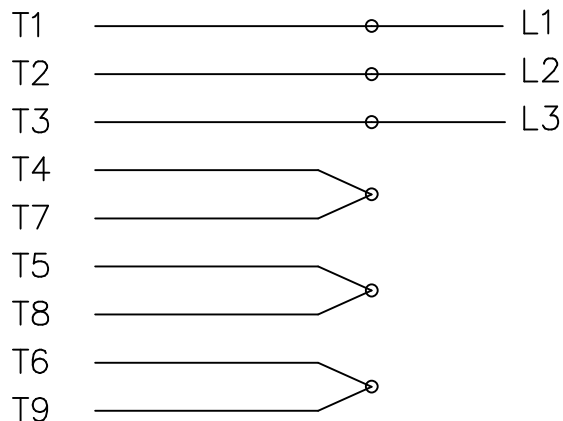
NOTE:-
 1) NAMEPLATE READ FROM CONDUIT BOX SIDE.
 2) CONDUIT BOX CAN BE ROTATED IN 180° STEPS.

DRAWING REVISION A		REVISION BY	DATE	TOLERANCES UNLESS OTHERWISE SPECIFIED: DEC. INCH mm ANGLE .X ±0.1 [±2.5] ±7° 30" .XX ±0.03 [±0.76] .XXX ±0.005 [±0.127] .XXXX ±0.0005 [±0.0127] REMOVE BURRS & BREAK SHARP EDGES: .003/.015 [0.076/.381] X 45° CORNER FILLETS: R.02 [0.51] MACHINED SURFACES: 200 INCH/mm 5.1 mm SHOWN IN [BRACKETS]	DRAWN BY A.SUPPANAVAR	Regal Beloit America, Inc.	
ECO ECO-0136109		APPROVED BY	DATE		DATE 03/29/2018		
ECO DESCRIPTION OUTLINE CONVERSION PROJECT <small>COPYRIGHT REGAL BELOIT AMERICA, INC. ALL RIGHTS RESERVED. PROPRIETARY AND CONFIDENTIAL INFORMATION - THIS DOCUMENT IS THE PROPERTY OF REGAL BELOIT AMERICA, INC. ("OWNER") AND CONTAINS OWNER'S PROPRIETARY INFORMATION. ANY PERSON, CORPORATION OR OTHER FIRM RECEIVING IT IS DEEMED, BY RECEIVING IT, TO AGREE THAT IT, AND/OR ANY PART OF IT, SHALL NOT BE DISCLOSED TO ANY PERSON, CORPORATION OR OTHER ENTITY, DUPLICATED, AND/OR USED, EXCEPT AS EXPRESSLY APPROVED IN WRITING IN ADVANCE BY OWNER. THIS DOCUMENT SHALL BE RETURNED TO OWNER UPON REQUEST. IT MAY BE SUBJECT TO CERTAIN RESTRICTIONS UNDER APPLICABLE EXPORT CONTROL LAWS AND REGULATIONS.</small>					APPROVED BY PST	DESCRIPTION OUTLINE 56 FR.-TEFC	
DASH	FR.	"C"	"BS"		DATE 05/18/2018	MATERIAL	PROCESS/FINISH
656	56-65	11.91 [302.51]	3.28 [83.31]		REFERENCE 100086LN	SIZE B	DRAWING NUMBER 108649
					THIRD ANGLE PROJECTION		SHEET 1 OF 1

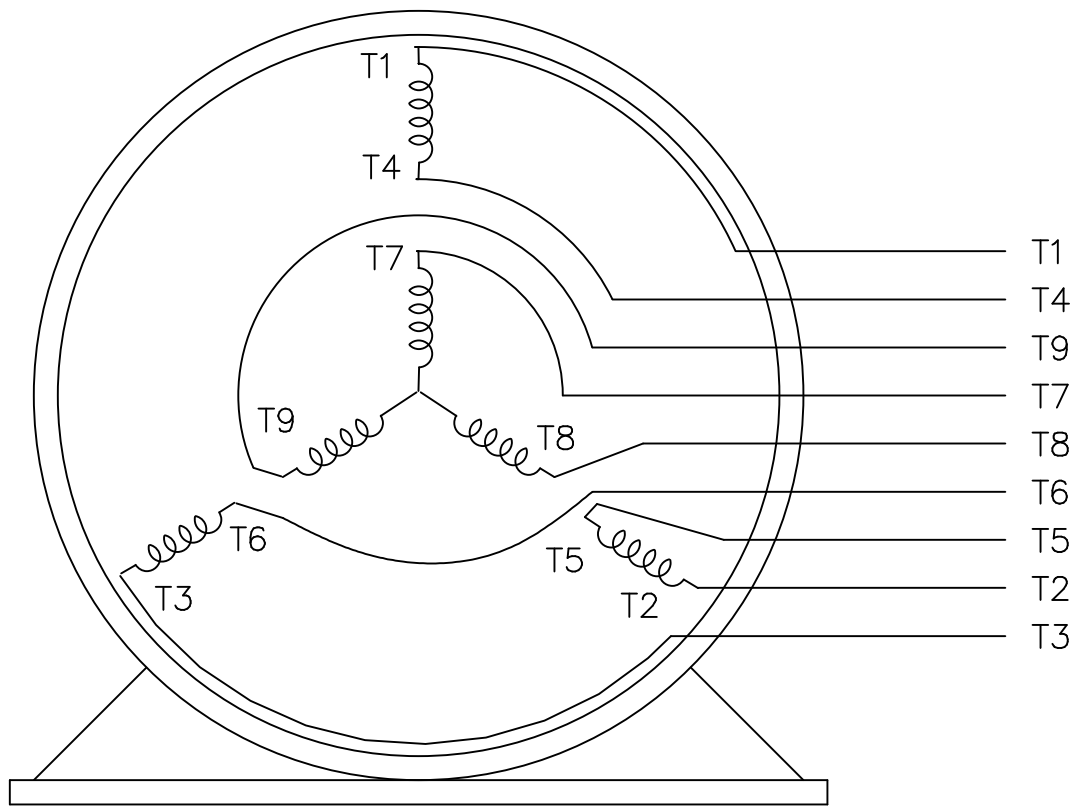
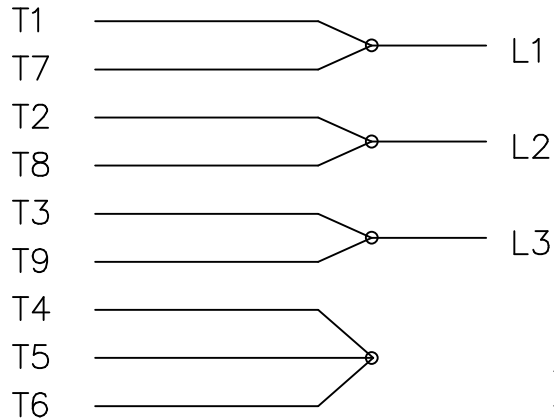
DASH	FR.	"C"	"BS"
656	56-65	11.91 [302.51]	3.28 [83.31]

THREE PHASE
DUAL VOLTAGE MOTOR

HIGH VOLTAGE



LOW VOLTAGE



VIEW OF TERMINAL END

REF.
WINDING DIAGRAM

T8Y, T2Y, T2BL, T4BX, T2EC, T2G
T6BZ, T2B, T6BL, T4AV, T6B, T4B

OPTIONAL CORD
CONNECTION

L1 — WHITE —
L2 — RED —
L3 — BLACK —

NO.	REVISION	BY & DATE	CHK	TOLERANCES UNLESS SPECIFIED		FINISH	DRAWN	SCALE	PAGE	OF	REV.
				DEC.	INCHES						
				.X	±.1		BLR	1=1			
3	ADDED THE OPTIONAL CORD CONNECTION MU46318	RDH 04/24/2003	DRS	.XX	±.02		BLR		06/11/1999		
2	RE-ISSUE, ADDED '-' TO PART NUMBER	BLR 08/09/1999	GK	.XXX	±.005		ML		06/18/1999		
1	NEW DRAWING	BLR 06/18/1999	GK	.XXXX	±.0005		GK		06/18/1999		
				ANG	±7'30"						
THIS DRAWING IN DESIGN AND DETAIL IS OUR PROPERTY AND MUST NOT BE USED EXCEPT IN CONNECTION WITH OUR WORK ALL RIGHTS OF DESIGN AND INVENTION ARE RESERVED THIS IS AN ELECTRONICALLY GENERATED DOCUMENT - DO NOT SCALE THIS PRINT						RFP	CAD FILE EE7308LN		SIZE	DRAWING NO.	REV.
						DIST WP		A	EE7308-LN	3	



TITLE CONNECTION DIAGRAM
3Ø - DUAL VOLTAGE MOTOR



2100 WASHINGTON ST.
GRAFTON, WI
PH. 262-277-8810

CERTIFICATION DATA SHEET

CONN. DIAGRAM: A-EE7308-LN
OUTLINE: A-108649-656
WINDING #: ZT205 FR 3 A

CATALOG : LM24133
MOUNTING: F1 ONLY

TYPICAL MOTOR PERFORMANCE DATA

HP	kW	SYNC. RPM	F.L. RPM	FRAME	ENCLOSURE	KVA CODE	DESIGN
3/4&3/4	0.56&0.56	3600	3450&2850	56	TEFC	N	B

PH	Hz	VOLTS	AMPS	START TYPE	DUTY	INSL	S.F.	AMB°C
3	60/50	230/460&190-208/380-415	3.2/1.6&3.2-3.6/1.6-1.8	ACROSS THE LINE	CONTINUOUS	F3	1.15/1.0	40

FULL LOAD EFF:	74&74	3/4 LOAD EFF:	68	1/2 LOAD EFF:	60	GTD. EFF	ELEC. TYPE
FULL LOAD PF:	69&77	3/4 LOAD PF:	61.5	1/2 LOAD PF:	51	0	SQ CAGE IND RUN

F.L. TORQUE	LOCKED ROTOR AMPS	L.R. TORQUE	B.D. TORQUE	F.L. RISE°C
1.14 lb-ft	23 / 11.5	4 lb-ft 351 %	4.5 lb-ft 395 %	38

SOUND PRESSURE @ 3 FT.	SOUND POWER	ROTOR WK^2	MAX. WK^2	SAFE STALL TIME	STARTS / HOUR	APPROX. MOTOR WGT
0 dBA	10 dBA	0.023 LB-FT^2	0 LB-FT^2	0 SEC.	0	22 LBS.

***** SUPPLEMENTAL INFORMATION *****

DE BRACKET TYPE	ODE BRACKET TYPE	MOUNT TYPE	ORIENTATION	SEVERE DUTY	HAZARDOUS LOCATION	DRIP COVER	SCREENS	PAINT
STANDARD HUBLESS	STANDARD HUBLESS	RIGID	HORIZONTAL	FALSE	NONE	FALSE	NONE	GRAY (POWDER)

BEARINGS		GREASE	SHAFT TYPE	SPECIAL DE	SPECIAL ODE	SHAFT MATERIAL	FRAME MATERIAL
DE	ODE						
BALL	BALL	POLYREX EM	STANDARD 56	NONE	NONE	1144 STRESSPROOF (C-223)	ROLLED STEEL
203	203						

THERMO-PROTECTORS				THERMISTORS	CONTROL	SPACE HEATERS
THERMOSTATS	PROTECTORS	WDG RTDs	BRG RTDs			
NONE	NOT	NONE	NONE	NONE	FALSE	NONE VOLTS

*
N
O
T
E
S

INVERTER TORQUE: NONE
INV. HP SPEED RANGE: NONE
ENCODER: NONE
NONE NONE
NONE NONE PPR
BRAKE: NONE NONE
NONE P/N NONE
NONE NONE
NONE FT-LB NONE V NONE Hz



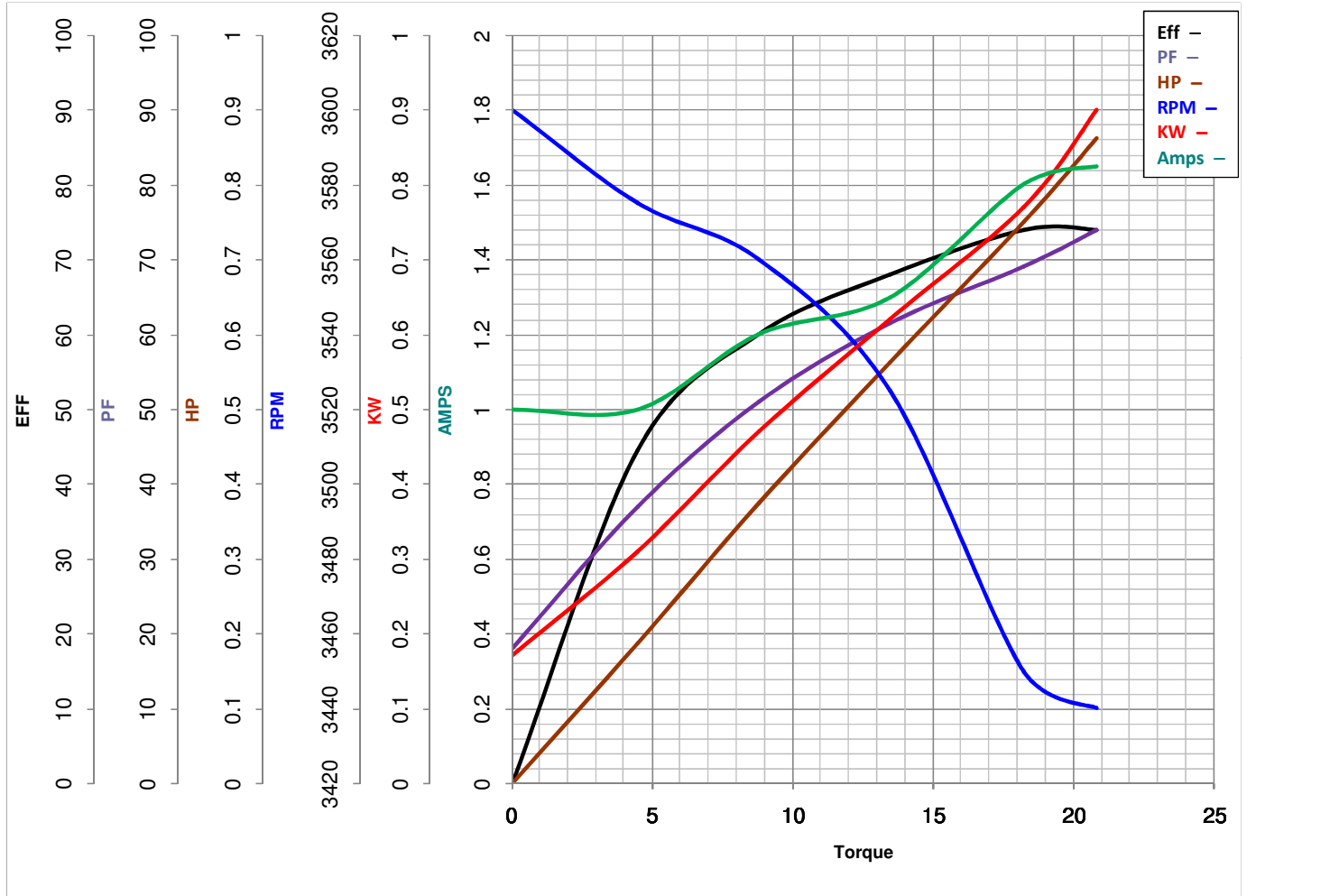
LEESON ELECTRIC CORPORATION
 TYPICAL PERFORMANCE CURVE for AC MOTOR

Model No LM24133

Curve at 460 Volts HP 0.75&0.75 PHASE 3
60 HZ
0.75 HP VOLTS 230/460&190-208/380-415

Catalog No LM24133A

HZ 60&50 RPM 3450&2850



FL TORQUE	<u>18.24</u> Oz.Ft	FL AMPS	<u>3.2/1.6</u>
BD TORQUE	<u>72.0</u> Oz.Ft	PU TORQUE	<u>57.6</u> Oz.Ft
LR TORQUE	<u>64</u> Oz.Ft	LR AMPS	<u>11.5</u>
WINDING	ZT205-3	Date	<u>6/4/2018</u>