

# PRODUCT INFORMATION PACKET

Model No: LM32807

Catalog No: LM32807

General Purpose Motor, 7.50 HP, 3 Ph, 60 Hz, 230/460 V, 900 RPM, 256T Frame, TEFC



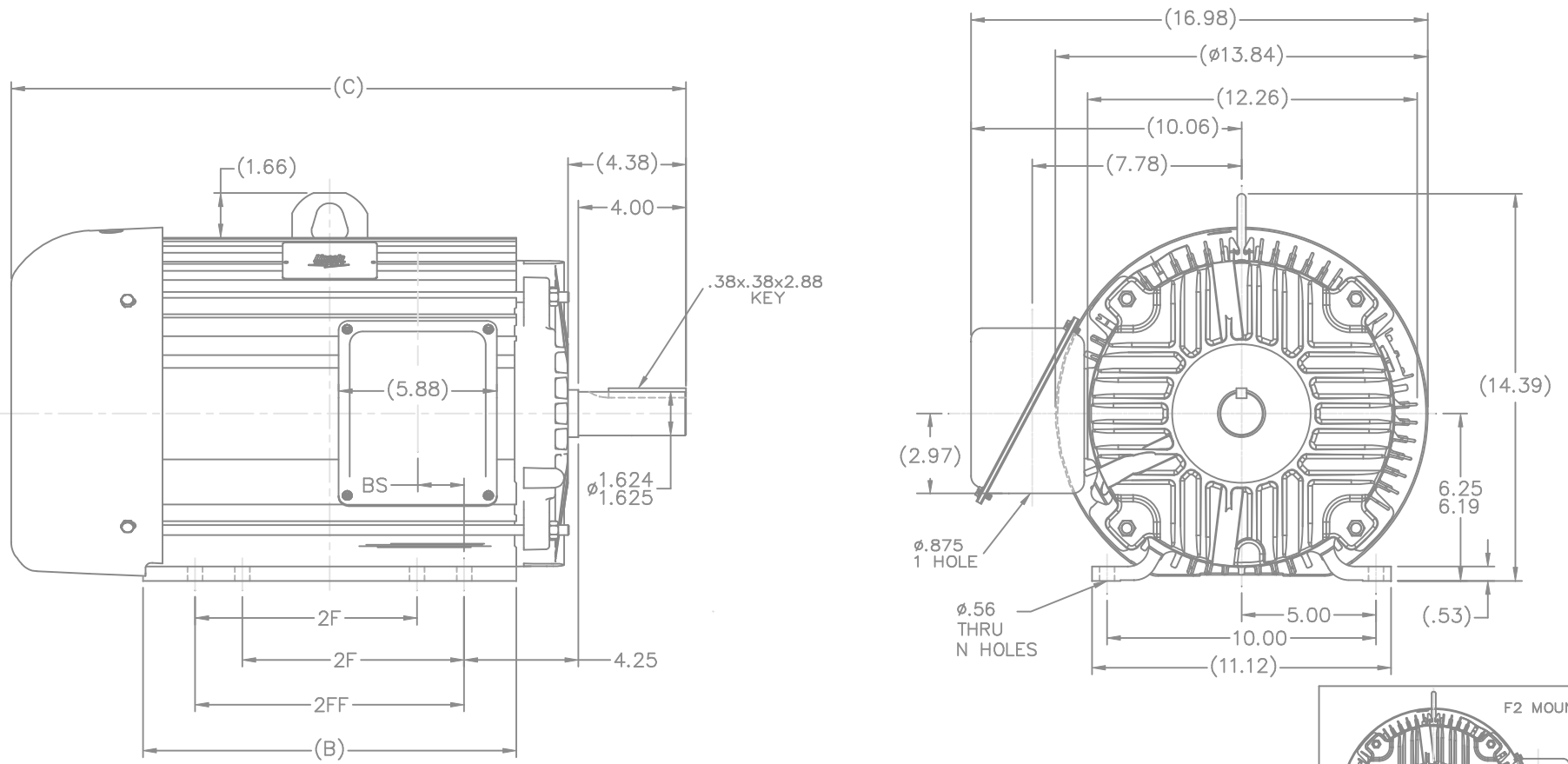
Regal and are trademarks of Regal Rexnord Corporation or one of its affiliated companies.  
©2022 Regal Rexnord Corporation, All Rights Reserved. MC017097E

**Nameplate Specifications**

Output HP	<b>7.50 Hp</b>	Output KW	<b>5.6 kW</b>
Frequency	<b>60 Hz</b>	Voltage	<b>230/460 V</b>
Current	<b>23.0/11.5 A</b>	Speed	<b>872 rpm</b>
Service Factor	<b>1.15</b>	Phase	<b>3</b>
Efficiency	<b>86.5 %</b>	Power Factor	<b>70</b>
Duty	<b>Continuous</b>	Insulation Class	<b>F</b>
Design Code	<b>B</b>	KVA Code	<b>G</b>
Frame	<b>256T</b>	Enclosure	<b>Totally Enclosed Fan Cooled</b>
Thermal Protection	<b>No Protection</b>	Ambient Temperature	<b>40 °C</b>
Drive End Bearing Size	<b>309</b>	Opp Drive End Bearing Size	<b>208</b>
UL	<b>Recognized</b>	CSA	<b>Y</b>
CE	<b>Y</b>	IP Code	<b>43</b>
Number of Speeds	<b>1</b>		

**Technical Specifications**

Electrical Type	<b>Squirrel Cage Inverter Rated</b>	Starting Method	<b>Line Or Inverter</b>
Poles	<b>8</b>	Rotation	<b>Reversible</b>
Mounting	<b>Rigid Base</b>	Motor Orientation	<b>Horizontal</b>
Drive End Bearing	<b>Ball</b>	Opp Drive End Bearing	<b>Ball</b>
Frame Material	<b>Aluminum</b>	Shaft Type	<b>T</b>
Overall Length	<b>25.15 in</b>	Frame Length	<b>13.75 in</b>
Shaft Diameter	<b>1.625 in</b>	Shaft Extension	<b>4 in</b>
Assembly/Box Mounting	<b>F1/F2 CAPABLE</b>	Inverter Load	<b>VARIABLE 10:1</b>
Connection Drawing	<b>EE7308-LN</b>	Outline Drawing	<b>SS321100LN-1375</b>



- NOTES:  
 1. CONDUIT BOX CAN BE ROTATED IN 90° STEPS.  
 2. NAMEPLATES TO BE READ FROM CONDUIT BOX SIDE OF MOTOR.

DASH	FR.	C	B	BS	2F	2FF	N
1200	254T	23.40	12.13	1.73	8.25	<del>10.00</del>	4
1375	254/6T	25.15	13.88	1.73	8.25	10.00	8

NO.		REVISION	BY & DATE	CHK	ANG	±7'30"	FINISH	PREV
3	B DIM 12.13 WAS 12.00, AND 13.88 WAS 13.75	MJK	05/18/2004					
	CN 29200-3584							
2	25.15 WAS 25.65, 23.40 WAS 23.90 CN 32681	MJK	05/04/2004					
1	(4.38) WAS (4.37), Ø1.624/1.625 WAS Ø1.624/1.624	MJK	04/29/2004					
	CN 32681							
THIS DRAWING IN DESIGN AND DETAIL IS OUR PROPERTY AND MUST NOT BE USED EXCEPT IN CONNECTION WITH OUR WORK ALL RIGHTS OF DESIGN AND INVENTION ARE RESERVED THIS IS AN ELECTRONICALLY GENERATED DOCUMENT - DO NOT SCALE THIS PRINT				RFP			CAD FILE ss321100ln	SIZE B
				DIST	LB			DRAWING NO. SS321100LN
								PAGE 3
								REV. 3



TOLERANCES UNLESS SPECIFIED  
 DEC. INCHES  
 .X ±.1  
 .XX ±.03  
 .XXX ±.005  
 .XXXX ±.0005  
 TITLE OUTLINE  
 250T FR - ALUM. FR. - TEFC  
 MAT'L  
 DRAWN MJK 03-29-2004  
 CHK ML 03-29-2004  
 APPD JPL 03-29-2004  
 SCALE 1=4  
 REF  
 FWF  
 PREV

THREE PHASE  
DUAL VOLTAGE MOTOR

HIGH VOLTAGE



LOW VOLTAGE



VIEW OF TERMINAL END

REF.  
WINDING DIAGRAM

T8Y, T2Y, T2BL, T4BX, T2EC, T2G  
T6BZ, T2B, T6BL, T4AV, T6B, T4B

OPTIONAL CORD  
CONNECTION

L1 WHITE  
L2 RED  
L3 BLACK

NO.	REVISION	BY & DATE	CHK	TOLERANCES UNLESS SPECIFIED		FINISH	DRAWN BLR 06/11/1999	CHK ML 06/18/1999	APPD GK 06/18/1999	
				DEC.	INCHES					
				.X	±.1					
3	ADDED THE OPTIONAL CORD CONNECTION MU46318	RDH 04/24/2003	DRS	.XX	±.02	TITLE CONNECTION DIAGRAM			SCALE 1=1	
2	RE-ISSUE, ADDED '-' TO PART NUMBER	BLR 08/09/1999	GK	.XXX	±.005	3∅ - DUAL VOLTAGE MOTOR			REF	
1	NEW DRAWING	BLR 06/18/1999	GK	.XXXX	±.0005	MAT'L.			FMF	
				ANG	±7'30"				PREV	
				RFP	CAD FILE EE7308LN			SIZE A	DRAWING NO. EE7308-LN	PAGE OF 3
				DIST WP						REV. 3





2100 WASHINGTON ST.  
GRAFTON, WI  
PH. 262-277-8810

CONN. DIAGRAM: A-EE7308-LN

OUTLINE: B-SS321100LN-1375

WINDING #: K256847 R2 2

CATALOG #: LM32807

MOUNTING: F1/F2 CAPABLE

**TYPICAL MOTOR PERFORMANCE DATA**

HP	kW	SYNC. RPM	F.L. RPM	FRAME	ENCLOSURE	KVA CODE	DESIGN
7 1/2	5.60	900	872	256T	TEFC	G	B

PH	Hz	VOLTS	AMPS	START TYPE	DUTY	INSL	S.F.	AMB°C
3	60	230/460	23/11.5	LINE OR INVERTER	CONTINUOUS	F3	1.15	40

FULL LOAD EFF:	86.5	3/4 LOAD EFF:	85.5	1/2 LOAD EFF:	84	GTD. EFF		ELEC. TYPE	
FULL LOAD PF:	70	3/4 LOAD PF:	62.5	1/2 LOAD PF:	50	84		SQ CAGE INV RATED	

F.L. TORQUE	LOCKED ROTOR AMPS	L.R. TORQUE	B.D. TORQUE	F.L. RISE°C
45.2 LB-FT	116 / 58	90 LB-FT 199 %	105 LB-FT 232 %	60

SOUND PRESSURE @ 3 FT.	SOUND POWER	ROTOR WK^2	MAX. WK^2	SAFE STALL TIME	STARTS / HOUR	APPROX. MOTOR WGT
55 dBA	65 dBA	2.8 LB-FT^2	- LB-FT^2	20 SEC.	-	415 LBS.

\*\*\* SUPPLEMENTAL INFORMATION \*\*\*

DE BRACKET TYPE	ODE BRACKET TYPE	MOUNT TYPE	ORIENTATION	SEVERE DUTY	HAZARDOUS LOCATION	DRIP COVER	SCREENS	PAINT
STANDARD	STANDARD	RIGID	HORIZONTAL	FALSE	NONE	FALSE	NONE	GRAY (ENAMEL)

BEARINGS		GREASE	SHAFT TYPE	SPECIAL DE	SPECIAL ODE	SHAFT MATERIAL	FRAME MATERIAL
DE	ODE						
BALL	BALL	POLYREX EM	T	NONE	NONE	1045 HOT ROLLED (C-204)	ALUMINUM
309	208						

THERMO-PROTECTORS				THERMISTORS	CONTROL	SPACE HEATERS
THERMOSTATS	PROTECTORS	WDG RTDs	BRG RTDs			
NONE	NOT	NONE	NONE	NONE	FALSE	NONE VOLTS

\*  
N  
O  
T  
E  
S  
\*

<b>INVERTER TORQUE:</b> VARIABLE 10:1
<b>INV. HP SPEED RANGE:</b> NONE
<b>ENCODER:</b> NONE NONE NONE NONE NONE PPR
<b>BRAKE:</b> NONE NONE NONE P/N NONE NONE NONE NONE FT-LB NONE V NONE Hz

Data Sheet

Date: 1/19/2018

LM32807



Data @ **460 V**

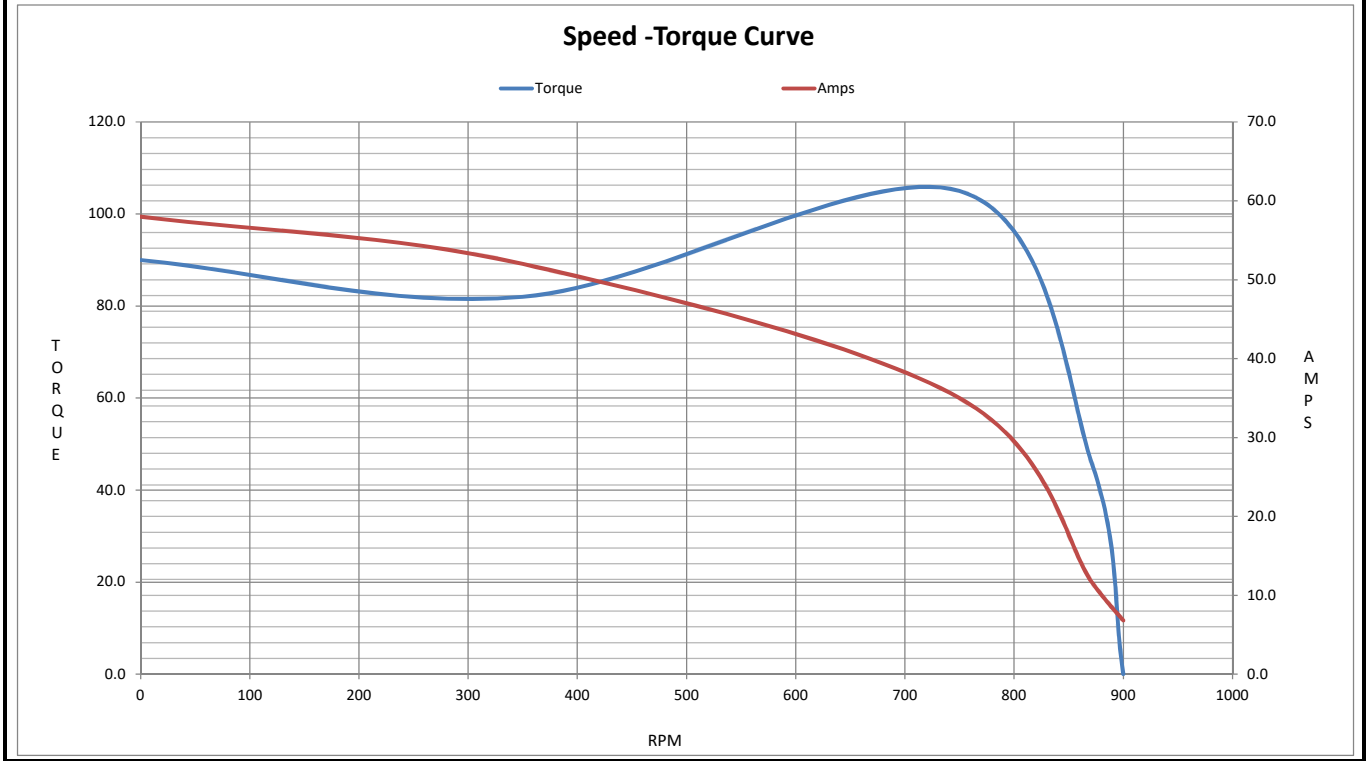
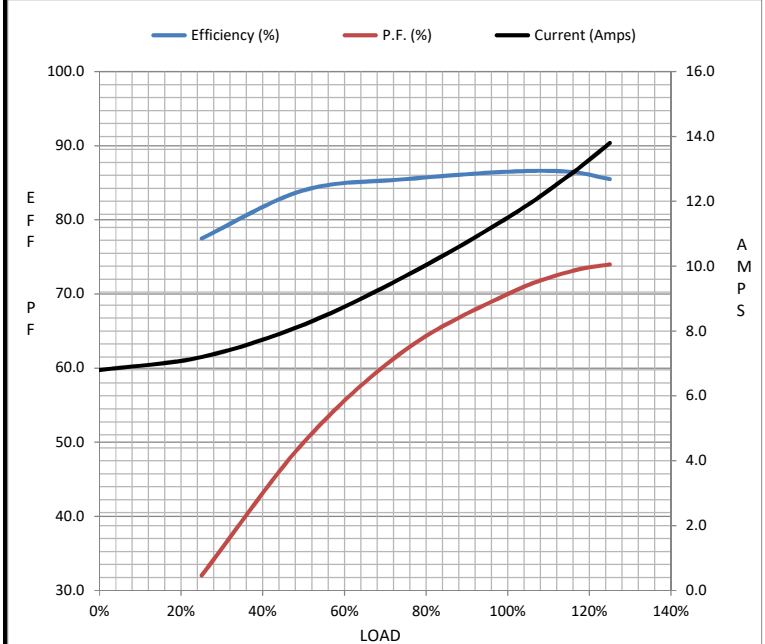
Motor Load Data

Load	0%	25%	50%	75%	100%	115%	125%	LR
Current (Amps)	6.8	7.2	8.2	9.7	11.5	12.8	13.8	58.0
Torque (ft-lb)	0.00	11.0	22.2	33.6	45.2	52.5	57.0	90.0
RPM	900	892	885	880	872	865	862	0
Efficiency (%)		77.5	84.0	85.5	86.5	86.5	85.5	
P.F. (%)	6.5	32.0	50.0	62.5	70.0	73.0	74.0	45.0

Motor Speed Data

	LR	Pull-Up	BD	Rated	Idle
Speed (RPM)	0	350	750	872	900
Current (Amps)	58.0	52.0	35.0	11.5	6.8
Torque (ft-lb)	90.0	82.0	105	45.2	0.00

Information Block				
HP	7.5			
Sync. RPM	900			
Frame	256			
Enclosure	TEFC			
Construction	TFY			
Voltage	230/460 V			
Frequency	60 Hz			
Design	B			
LR Code letter	G			
Service Factor	1.15			
Temp Rise @ FL	60 °C			
Duty	CONT			
Ambient	40 °C			
Elevation	1,000 feet			
Rotor/Shaft wk <sup>2</sup>	2.80 Lb-Ft <sup>2</sup>			
Ref Wdg	K256847 R2			
Sound Pressure @ 1M	55 dBA			
VFD Rating	VARIABLE 10:1			
Outline Dwg	B-SS321100LN-1375			
Conn. Diag	A-EE7308-LN			
Additional Specifications:				
0				
0				
EQUIV CKT (OHMS / PHASE)				
R1	R2	X1	X2	Xm
0.0000	0.0000	0.0000	0.0000	0.0000



## EC Declaration of Conformity

The undersigned representing  
the manufacturer:

Regal Beloit America  
100 East Randolph St.  
Wausau, WI 54401

and the authorized representative  
established within the Community:

Marathon Electric UK  
6F Thistleton Road Ind. Estate  
Market Overton  
Oakham, Rutland LE15 7PP UK

are committed to providing customers with products that comply with applicable regulations and international protocols to which they are subject, including the requirements of the European Parliament Directive on the Harmonization of the laws relating to electrical equipment designed for use within certain voltage limits (2014/35/EU).

Regal Beloit America declares that the following product(s), to which this declaration relates, are in conformity with the relevant sections of the EC standards listed below.

This statement supersedes any statements previously issued pertaining to the product(s) listed below and is subject to change without notice.

Model No : LM32807

(Model No. may contain prefix and/or suffix characters)

Catalog No : LM32807

Rework No : N/A

Directives :

Low Voltage Directive 2014/35/EU

Harmonized Standards Used :

EN 60034-1: 2010 (IEC 60034-1: 2010)

EN 60034-5: 2001/A1:2007 (IEC 60034-5: 2000/A1:2006)

Authorized Representative:



Michael A. Logsdon  
Vice President, Technology

Authorized Representative in the Community:



Julian Clark  
Marketing Engineer

Created on 09/01/2022

**CE 22**