

PRODUCT INFORMATION PACKET



Model No: LM33486
Catalog No: LM33486
3 HP General Purpose Motor, 3 phase, 1800 RPM, 230/460 V, 182T Frame, TEFC

General Purpose Motors



Regal and Leeson are trademarks of Regal Rexnord Corporation or one of its affiliated companies.
©2022 Regal Rexnord Corporation, All Rights Reserved. MC017097E





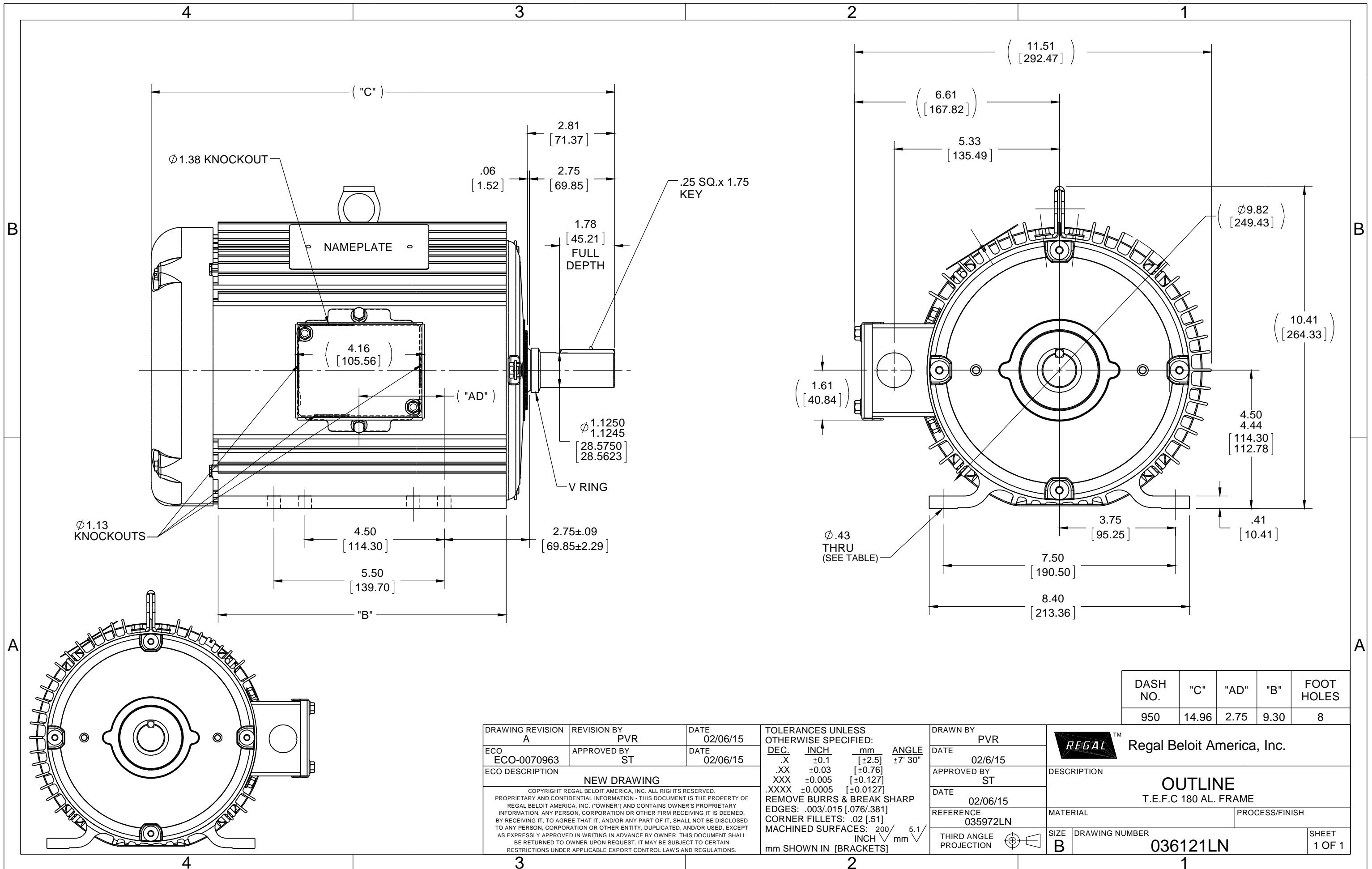
Nameplate Specifications

Output HP	3 Hp	Output KW	2.2 kW
Frequency	60 Hz	Voltage	230/460 V
Current	7.8/3.9 A	Speed	1760 rpm
Service Factor	1.25	Phase	3
Efficiency	89.5 %	Power Factor	80.5
Duty	Continuous	Insulation Class	F
Design Code	B	KVA Code	K
Frame	182T	Enclosure	Totally Enclosed Fan Cooled
Thermal Protection	No	Ambient Temperature	40 °C
Drive End Bearing Size	6206	Opp Drive End Bearing Size	6205
UL	Recognized	CSA	Y
CE	Y	IP Code	43
Number of Speeds	1		

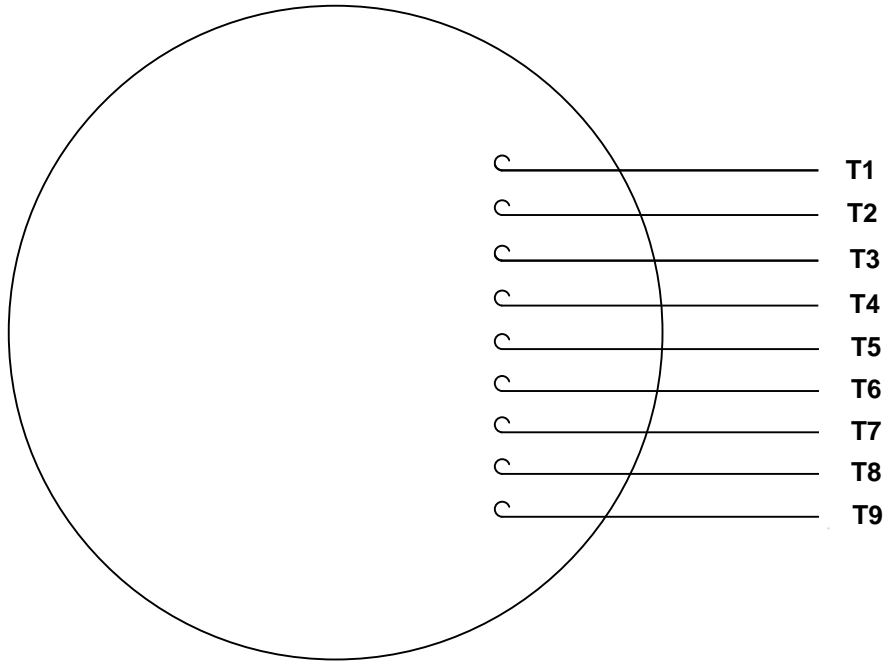
Technical Specifications

Electrical Type	Squirrel Cage Induction Run	Starting Method	Across The Line
Poles	4	Rotation	Reversible
Resistance Main	0 Ohms	Mounting	Rigid Base
Motor Orientation	Horizontal	Drive End Bearing	Ball
Opp Drive End Bearing	Ball	Frame Material	Aluminum
Shaft Type	T	Overall Length	14.96 in
Frame Length	9.50 in	Shaft Diameter	1.125 in
Shaft Extension	2.75 in	Assembly/Box Mounting	F1/F2 CAPABLE
Outline Drawing	036121LN-950	Connection Drawing	005010.01LN

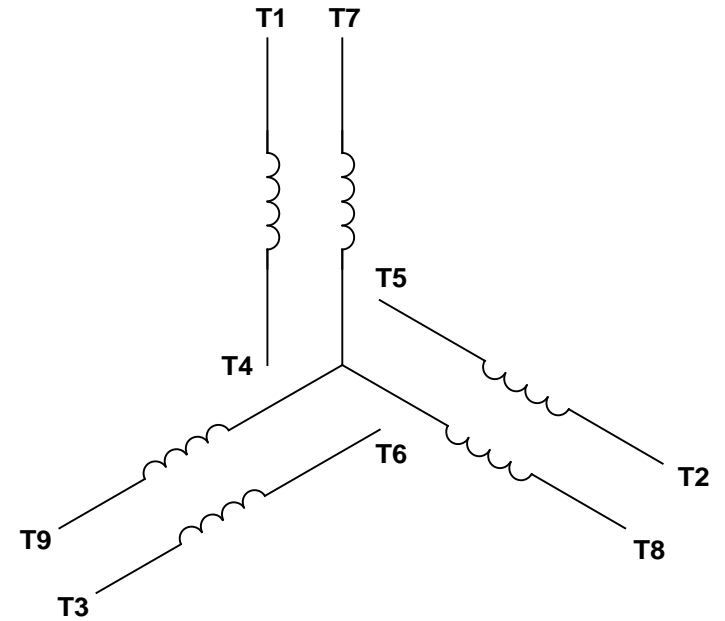
This is an uncontrolled document once printed or downloaded and is subject to change without notice. Date Created:02/24/2022



VIEW FROM OUTSIDE OF MOTOR AT SWITCH END.



LINE LEADS



VOLTAGE	L1	L2	L3	JOIN & INSULATE
HIGH	T1	T2	T3	(T4, T7) (T5, T8) (T6, T9)
LOW	T1, T7	T2, T8	T3, T9	T4, T5, T6

RBC PROPRIETARY AND CONFIDENTIAL INFORMATION
 This document is the property of REGAL BELOIT CORPORATION ("RBC") including its subsidiaries and divisions and contains proprietary information of RBC. This document is loaned on the express condition that neither it nor the information contained therein shall be disclosed to others without the express written consent of RBC, and that the information shall be used by the recipient only as approved expressly by RBC. This document shall be returned to RBC upon its request. This document may be subject to certain restrictions under U.S. export control laws and regulations.

				TOLERANCES UNLESS SPECIFIED				DRAWN KMM 04/16/02	
				DEC	INCHES			CHK	
				.X	±.1			APPR	
				.XX	±.01	TITLE EXTERNAL WIRING DIAGRAM		SCALE 1:1	
				.XXX	±.005	3 PHASE W/O PROTECTOR		REF FIG. 2-51	
--	REDRAWN IN SOLIDWORKS	VJB 02/08/11		.XXXX	±.0005	MAT'L DECAL - 004014		FMF	
NO	REVISION	BY & DATE	CHK	ANG	±1/2°	FINISH		PAGE	OF
THIRD ANGLE PROJECTION			RFP 04/12/02		PREV		SIZE	DRAWING NO	
			NETWORK FILE NAME 00501001LN				A	005010-01LN	
								REV	
								--	

Data Sheet

Date: 1/30/2018

LM33486



Data @ **460 V**

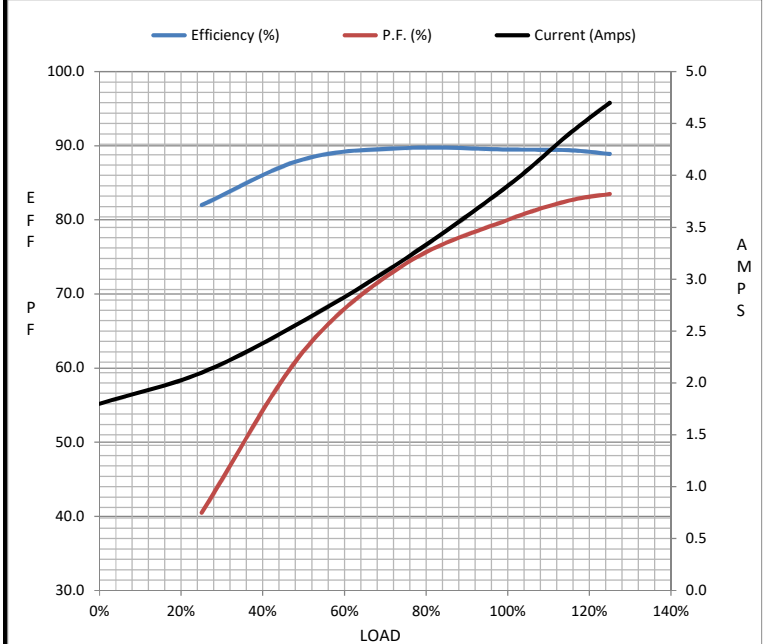
Motor Load Data

Load	0%	25%	50%	75%	100%	115%	125%	LR
Current (Amps)	1.80	2.10	2.60	3.2	3.9	4.4	4.7	33.8
Torque (ft-lb)	0.00	2.20	4.4	6.7	8.9	10.3	11.3	23.5
RPM	1800	1791	1781	1773	1760	1,754	1749	0
Efficiency (%)		82.0	88.2	89.7	89.5	89.4	88.9	
P.F. (%)	7.5	40.5	62.3	74.1	80.0	82.6	83.5	0.0

Motor Speed Data

	LR	Pull-Up	BD	Rated	Idle
Speed (RPM)	0	900	1430	1760	1800
Current (Amps)	33.8	28.8	22.0	3.9	1.80
Torque (ft-lb)	23.5	20.3	35.2	8.9	0.00

Information Block				
HP	3.0			
Sync. RPM	1800			
Frame	182			
Enclosure	TEFC			
Construction	TFY			
Voltage	230/460#190-208/380-415 V			
Frequency	60 Hz			
Design	B			
LR Code letter	K			
Service Factor	1.15			
Temp Rise @ FL	35 °C			
Duty	CONT			
Ambient	40 °C			
Elevation	1,000 feet			
Rotor/Shaft wk ²	0.40 Lb-Ft ²			
Ref Wdg	T84200 FL			
Sound Pressure @ 1M	62 dBA			
VFD Rating	NONE			
Outline Dwg	036121LN-950			
Conn. Diag	005010.01LN			
Additional Specifications:				
0				
0				
EQUIV CKT (OHMS / PHASE)				
R1	R2	X1	X2	Xm
2.2110	1.5310	3.6570	5.3680	102.2490



Speed - Torque Curve

