

PRODUCT INFORMATION PACKET

Model No: LM33563

Catalog No: LM33563

General Purpose Motor, 2 HP, 3 Ph, 60 Hz, 230/460 V, 1200 RPM, 184T Frame, TEFC



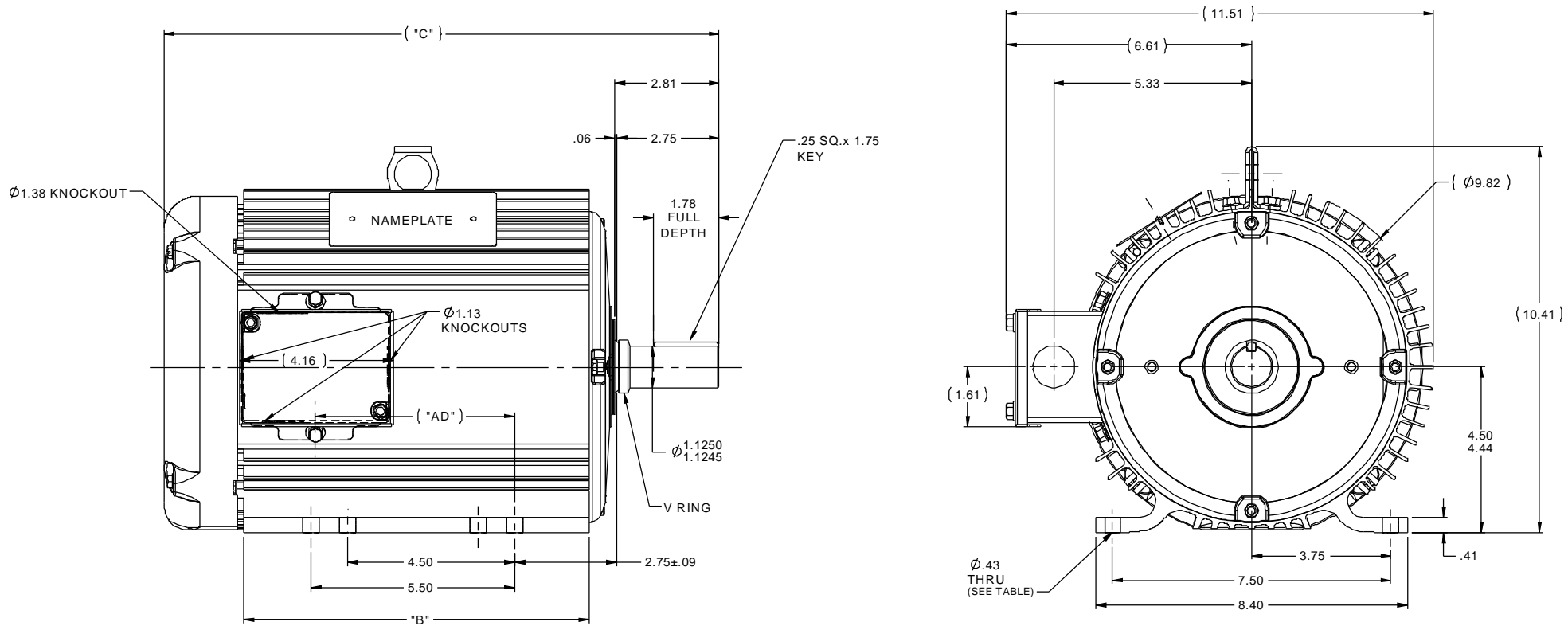
Regal and are trademarks of Regal Rexnord Corporation or one of its affiliated companies.
©2022 Regal Rexnord Corporation, All Rights Reserved. MC017097E

Nameplate Specifications

Output HP	2 Hp	Output KW	1.5 kW
Frequency	60 Hz	Voltage	230/460 V
Current	6.4/3.2 A	Speed	1175 rpm
Service Factor	1.25	Phase	3
Efficiency	88.5 %	Power Factor	66.5
Duty	Continuous	Insulation Class	F
Design Code	B	KVA Code	K
Frame	184T	Enclosure	Totally Enclosed Fan Cooled
Thermal Protection	No Protection	Ambient Temperature	40 °C
Drive End Bearing Size	6206	Opp Drive End Bearing Size	6205
UL	Recognized	CSA	Y
CE	Y	IP Code	43
Number of Speeds	1		

Technical Specifications

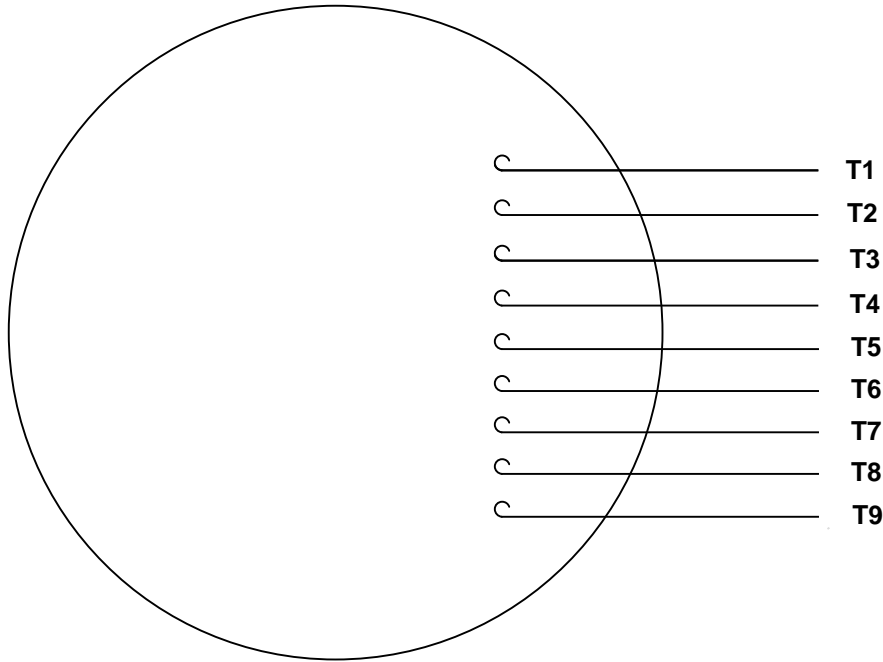
Electrical Type	Squirrel Cage Induction Run	Starting Method	Across The Line
Poles	6	Rotation	Reversible
Resistance Main	5.4 Ohms	Mounting	Rigid Base
Motor Orientation	Horizontal	Drive End Bearing	Ball
Opp Drive End Bearing	Ball	Frame Material	Aluminum
Shaft Type	T	Overall Length	14.96 in
Frame Length	9.50 in	Shaft Diameter	1.125 in
Shaft Extension	2.75 in	Assembly/Box Mounting	F1 ONLY
Connection Drawing	005010.01LN	Outline Drawing	035972LN-950



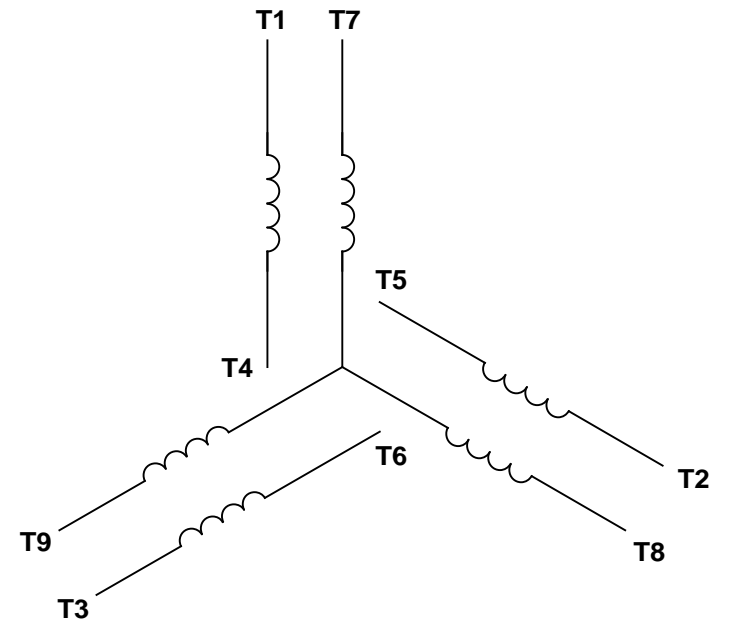
DASH NO.	"C"	"AD"	"B"	FOOT HOLES
950	14.96	5.37	9.30	8

TOLERANCES UNLESS SPECIFIED		Lincoln WORKS	DRAWN JD 03/20/2013
DEC	INCHES		
X	±.1	TITLE 182/184T - RIGID T.E.F.C 180 AL FRAME	CHK
XX	±.03		APPR
XXX	±.005		SCALE 3:8
XXXX	±.0005		REF 035827LN
NO	REVISION	MAT'L	FMF
	BY & DATE	FINISH	PAGE OF
	THIRD ANGLE PROJECTION	NETWORK FILE NAME 035972LN	REV
		SIZE B	DRAWING NO 035972LN

VIEW FROM OUTSIDE OF MOTOR AT SWITCH END.




LINE LEADS



VOLTAGE	L1	L2	L3	JOIN & INSULATE
HIGH	T1	T2	T3	(T4, T7) (T5, T8) (T6, T9)
LOW	T1, T7	T2, T8	T3, T9	T4, T5, T6

RBC PROPRIETARY AND CONFIDENTIAL INFORMATION
 This document is the property of REGAL BELOIT CORPORATION ("RBC") including its subsidiaries and divisions and contains proprietary information of RBC. This document is loaned on the express condition that neither it nor the information contained therein shall be disclosed to others without the express written consent of RBC, and that the information shall be used by the recipient only as approved expressly by RBC. This document shall be returned to RBC upon its request. This document may be subject to certain restrictions under U.S. export control laws and regulations.

				TOLERANCES UNLESS SPECIFIED				DRAWN KMM 04/16/02	
				DEC	INCHES			CHK	
				.X	±.1			APPR	
				.XX	±.01			SCALE 1:1	
				.XXX	±.005	TITLE EXTERNAL WIRING DIAGRAM 3 PHASE W/O PROTECTOR		REF FIG. 2-51	
--	REDRAWN IN SOLIDWORKS	VJB 02/08/11		.XXXX	±.0005	MAT'L DECAL - 004014		FMF	
NO	REVISION	BY & DATE	CHK	ANG	±1/2°	FINISH		PAGE	OF
			RFP	04/12/02	PREV	SIZE	DRAWING NO		REV
			NETWORK FILE NAME 00501001LN			A	005010-01LN		--





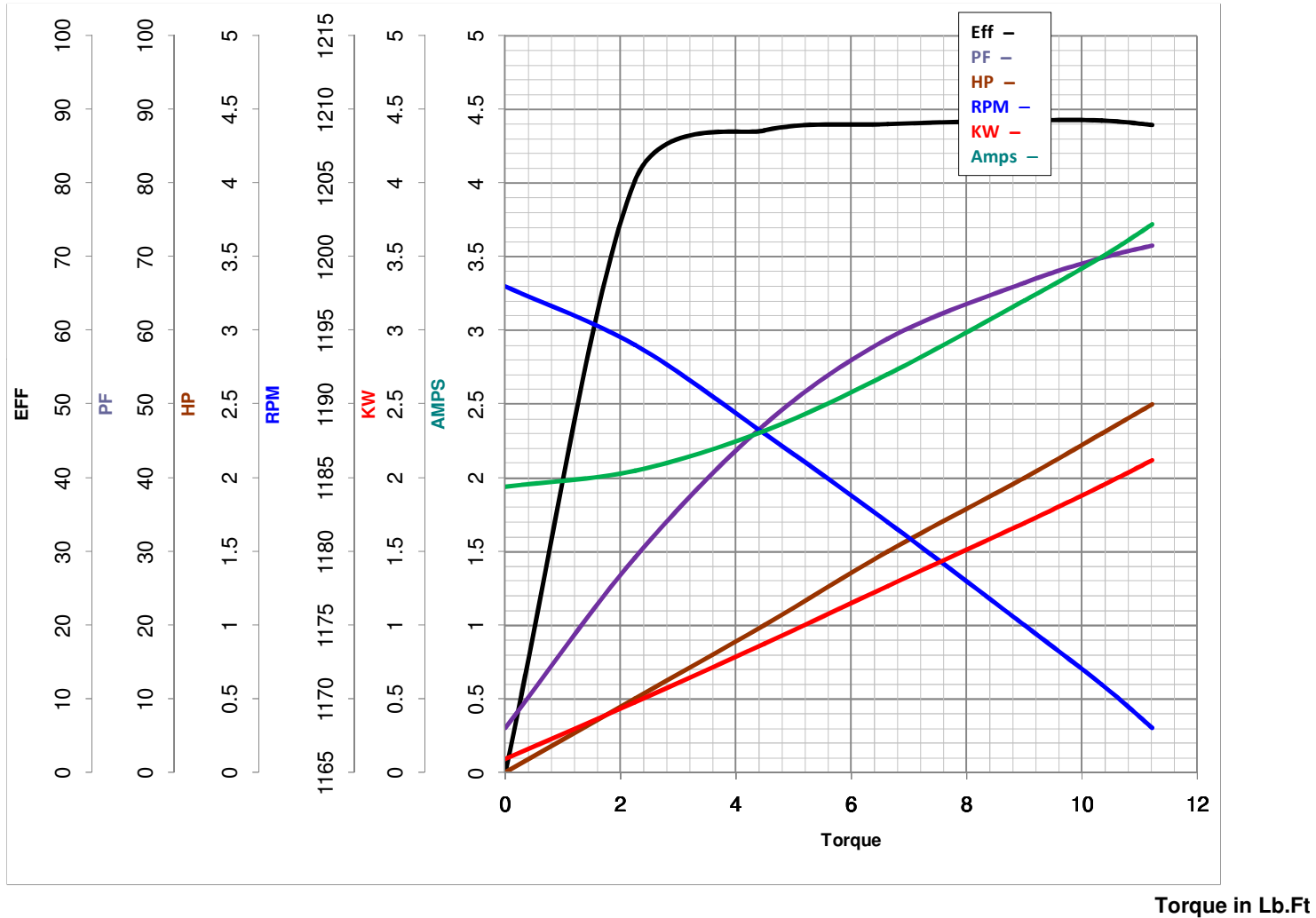
LEESON ELECTRIC CORPORATION
 TYPICAL PERFORMANCE CURVE for AC MOTOR

Model No LM33563

Curve at 460 Volts HP 2&2 PHASE 3
60 HZ
2 HP VOLTS 230/460&190/380-415

Catalog No LM33563AA

HZ 60&50 RPM 1175&970



FL TORQUE 9 Lb.Ft
 BD TORQUE 30.2 Lb.Ft
 LR TORQUE 16.8 Lb.Ft

FL AMPS 6.4/3.2
 PU TORQUE 16.5 Lb.Ft
 LR AMPS 20.5

WINDING T8638-3

Date 5/22/2018

EC Declaration of Conformity

The undersigned representing
the manufacturer:

Regal Beloit America
100 East Randolph St.
Wausau, WI 54401

and the authorized representative
established within the Community:

Marathon Electric UK
6F Thistleton Road Ind. Estate
Market Overton
Oakham, Rutland LE15 7PP UK

are committed to providing customers with products that comply with applicable regulations and international protocols to which they are subject, including the requirements of the European Parliament Directive on the Harmonization of the laws relating to electrical equipment designed for use within certain voltage limits (2014/35/EU).

Regal Beloit America declares that the following product(s), to which this declaration relates, are in conformity with the relevant sections of the EC standards listed below.

This statement supersedes any statements previously issued pertaining to the product(s) listed below and is subject to change without notice.

Model No : LM33563

(Model No. may contain prefix and/or suffix characters)

Catalog No : LM33563

Rework No : N/A

Directives :

Low Voltage Directive 2014/35/EU

Harmonized Standards Used :

EN 60034-1: 2010 (IEC 60034-1: 2010)

EN 60034-5: 2001/A1:2007 (IEC 60034-5: 2000/A1:2006)

Authorized Representative:



Michael A. Logsdon
Vice President, Technology

Authorized Representative in the Community:



Julian Clark
Marketing Engineer

Created on 09/01/2022

CE 22