

PRODUCT INFORMATION PACKET

Model No: LM33570

Catalog No: LM33570

General Purpose Motor, 3 HP, 3 Ph, 60 Hz, 230/460 V, 3600 RPM, 182TC Frame, TEFC



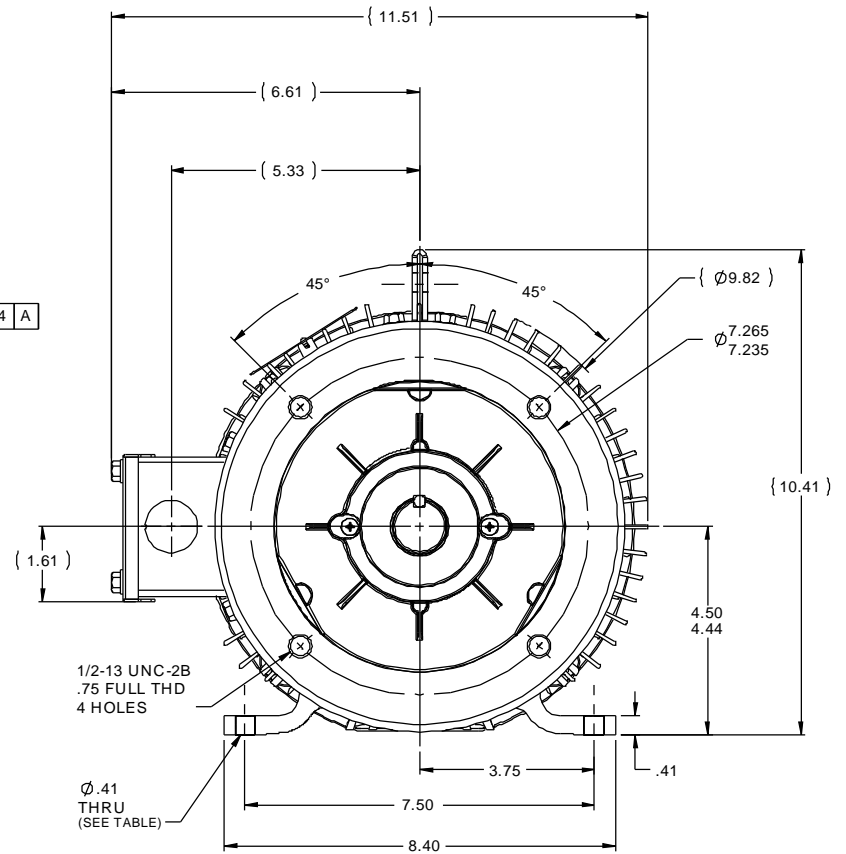
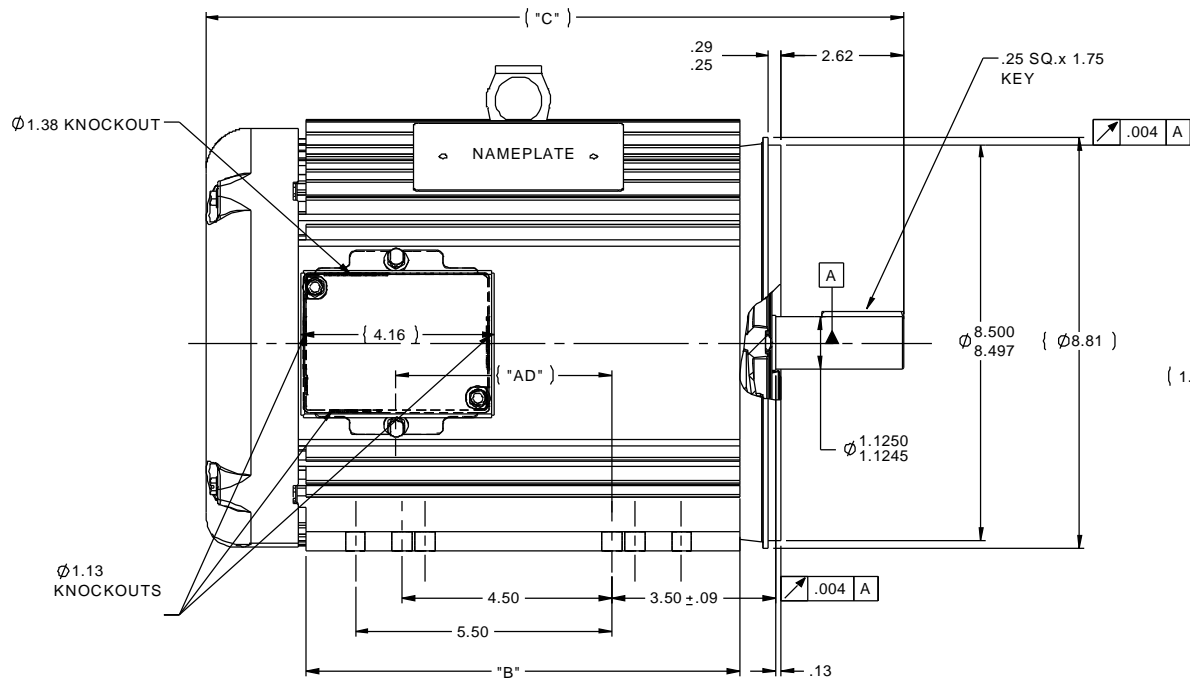
Regal and are trademarks of Regal Rexnord Corporation or one of its affiliated companies.
©2022 Regal Rexnord Corporation, All Rights Reserved. MC017097E

Nameplate Specifications

Output HP	3 Hp	Output KW	2.2 kW
Frequency	60 Hz	Voltage	230/460 V
Current	7.8/3.9 A	Speed	3510 rpm
Service Factor	1.25	Phase	3
Efficiency	86.5 %	Power Factor	83.7
Duty	Continuous	Insulation Class	F
Design Code	B	KVA Code	K
Frame	182TC	Enclosure	Totally Enclosed Fan Cooled
Thermal Protection	No Protection	Ambient Temperature	40 °C
Drive End Bearing Size	6206	Opp Drive End Bearing Size	6205
UL	Recognized	CSA	Y
CE	Y	IP Code	43
Number of Speeds	1		

Technical Specifications

Electrical Type	Squirrel Cage Induction Run	Starting Method	Across The Line
Poles	2	Rotation	Reversible
Resistance Main	3.56 Ohms	Mounting	Rigid Base
Motor Orientation	Horizontal	Drive End Bearing	Ball
Opp Drive End Bearing	Ball	Frame Material	Aluminum
Shaft Type	T	Overall Length	14.97 in
Frame Length	9.50 in	Shaft Diameter	1.125 in
Shaft Extension	2.75 in	Assembly/Box Mounting	F1/F2 CAPABLE
Connection Drawing	005010.01 LN	Outline Drawing	035813LN-950

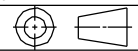


DASH NO.	"C"	"AD"	"B"	FOOT HOLES
950	14.97	4.62	9.3	12
1100	16.47	6.12	10.8	4

TOLERANCES UNLESS SPECIFIED		DRAWN JD 12/28/2011	
DEC	INCHES	CHK	AK 12/28/2011
X	±.1	APPR	
XX	±.03	SCALE	3:8
XXX	±.005	REF	OLME113206
XXXX	±.0005	FMF	LM33485
XXXXX	±.0001	PAGE	OF
NO	REVISION	BY & DATE	PREV
01	REVISE FRAME(013498) PER ECR# 0036537	PVR 5/29/2013	JD
THIRD ANGLE PROJECTION		CHK LANG	±.730"
RFP		PREV	
NETWORK FILE NAME		035813LN	
SIZE	DRAWING NO	REV	
B	035813LN	01	



TITLE 182/184T - RIGID C FACE
T.E.F.C 180 AL FRAME





1051 CHEYENNE AVE.
GRAFTON, WI 53024
PH. 262-277-8810

DATA VOLTS: 460

CERTIFICATION DATA SHEET

CONN. DIAGRAM: 005010.01 LN
OUTLINE: 035813LN-950
WINDING: T82102

CAT #: LM33570

FY 3

TYPICAL MOTOR PERFORMANCE DATA

HP	KW	SYNC RPM	FL RPM	FRAME	ENCLOSURE	TYPE	KVA CODE	DESIGN
3	2.2	3600	3510	182TC	TEFC	TFY	K	B

PH	HZ	VOLTS	AMPS	START TYPE	DUTY	INSL	S.F.	AMB	ELEV.
3	60/50	230/460#190-208/380-415	7.8/3.9&9.2-8.8/4.6-4.4	ACROSS THE LINE	CONT	F	1.15	40	3300

F.L. EFF	86.5	3/4 LD EFF	82.9	1/2 LD EFF	79.4	GTD EFF	ELECT. TYPE
F.L. PF	83.7	3/4 LD PF	78.4	1/2 LD PF	67.6	83.8	SQ CAGE IND RUN

F.L. TORQUE	LR AMPS @ 460 V	L.R. TORQUE	B.D. TORQUE	F.L. RISE (° C)
4.5 LB-FT	33.0	11.0 LB-FT 244%	18.2 LB-FT 404%	30

PRESSURE @ 3	SOUND	POWER	ROTOR WK²	MAX. LOAD WK²	SAFE STALL TIME	STARTS/HOUR	MOTOR WGT
75 dBA	84 dBA		0.23 LB-FT²	11 LB-FT²	15 SEC.	2	85 LB.

***** SUPPLEMENTAL INFORMATION *****

DE BRACKET TYPE	ODE BRACKET TYPE	MOUNT TYPE	MOTOR ORIENTATION	SEVERE DUTY	HAZARDOUS LOCATION	DRIP COVER	SCREENS	PAINT
C-FACE	STANDARD	RIGID	HORIZONTAL	NO	NONE	NO	NONE	WATTSAVER

BEARINGS		GREASE	SHAFT TYPE	SPECIAL DE	SPECIAL ODE	SHAFT MATERIAL	FRAME MATERIAL
DE	ODE	POLYREX EM	T	NONE	NONE	AISI 1045 (C-240)	ALUMINUM
BALL	BALL						
6206	6205						

THERMOSTATS	PROTECTORS	WDG RTD's	BRG RTD's	THERMISTORS	CONTROL	SPACE HEATERS
NONE	NOT	NONE	NONE	NONE	FALSE	NA

R1 (ohms/ph)	R2 (ohms/ph)	X1 (ohms/ph)	X2 (ohms/ph)	Xm (ohms/ph)	VIBRATION (in/sec)	FLOAT
1.778	2.015	7.322	2.45	167.442	0.150	ODE

* N O T E S *	INVERTER TORQUE: NONE	
	INV. HP SPEED RANGE: NONE	
	ENCODER: NONE	
	NONE	NONE PPR
	NONE	

DATE: 9/11/2018	BRAKE: NONE	
	NONE	NONE
	FT-LB: NA	
	VOLTAGE: NONE	HZ:
UL: Y-(LEESON UL REC)		

Data Sheet

Date: 9/11/2018

LM33570



Data @ **460 V**

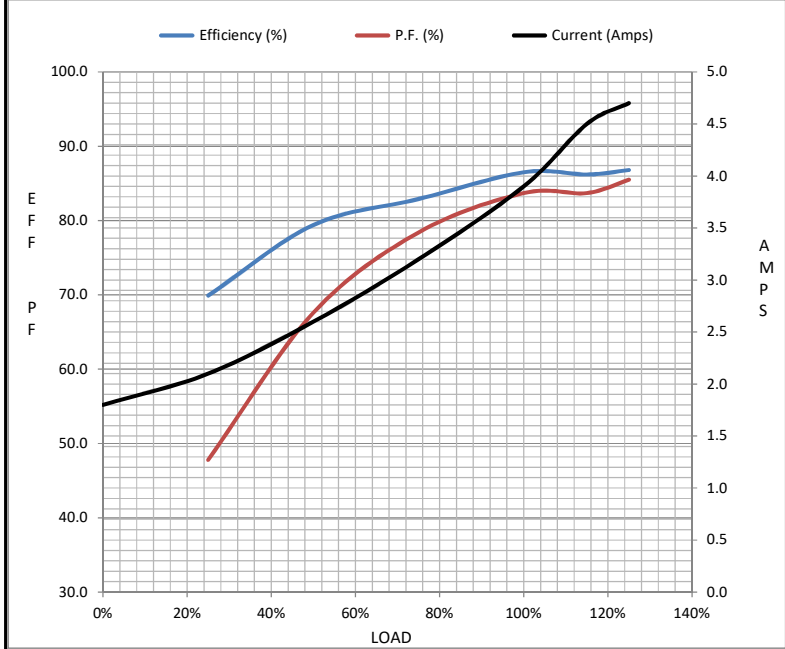
Motor Load Data

Load	0%	25%	50%	75%	100%	115%	125%	LR
Current (Amps)	1.80	2.10	2.60	3.2	3.9	4.5	4.7	33.0
Torque (ft-lb)	0.00	1.10	2.20	3.3	4.5	5.2	5.6	11.0
RPM	3600	3579	3559	3539	3510	3,500	3492	0
Efficiency (%)		69.9	79.4	82.9	86.5	86.2	86.8	
P.F. (%)	13.9	47.8	67.6	78.4	83.7	83.7	85.5	49.0

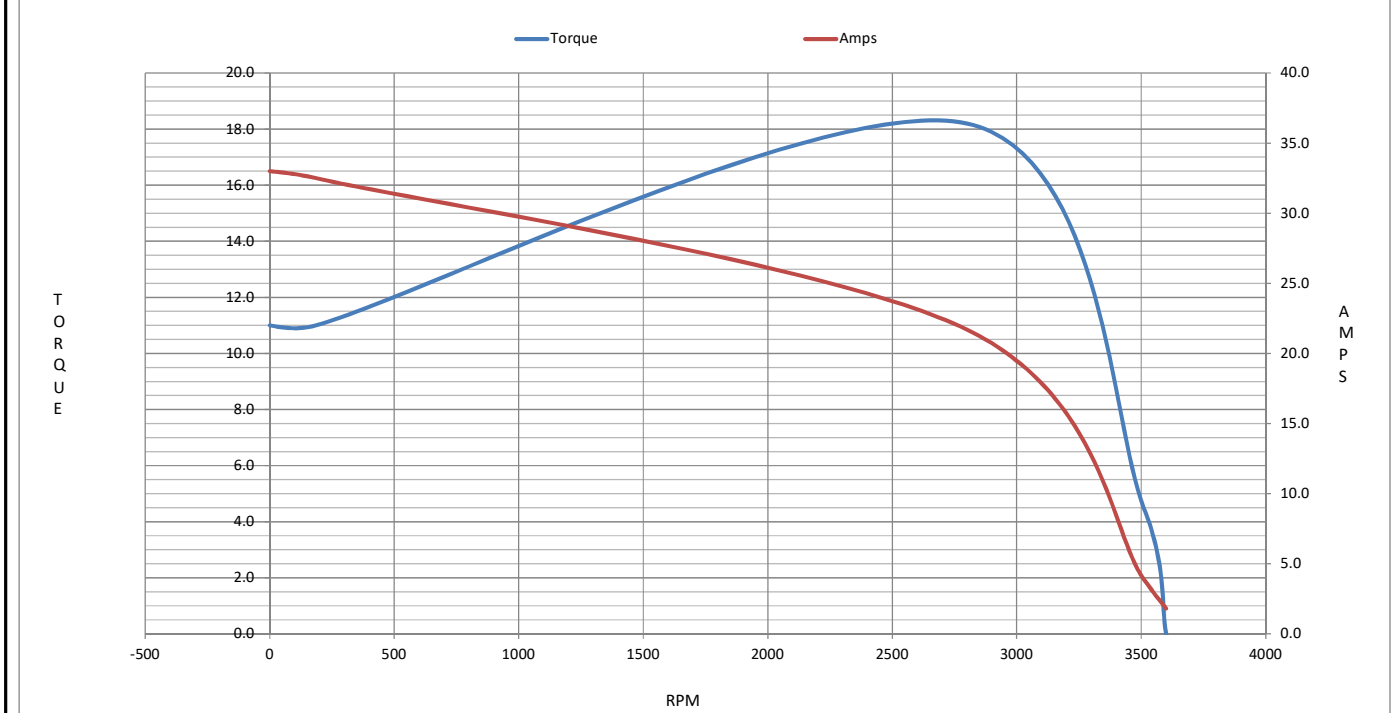
Motor Speed Data

	LR	Pull-Up	BD	Rated	Idle
Speed (RPM)	0	186	2800	3510	3600
Current (Amps)	33.0	32.5	21.7	3.9	1.80
Torque (ft-lb)	11.0	11.0	18.2	4.5	0.00

Information Block				
HP	3.0			
Sync. RPM	3600			
Frame	180			
Enclosure	TEFC			
Construction	TFY			
Voltage	230/460#190-208/380-415 V			
Frequency	60 Hz			
Design	B			
LR Code letter	K			
Service Factor	1.15			
Temp Rise @ FL	30 ° C			
Duty	CONT			
Ambient	40 ° C			
Elevation	1,000 feet			
Rotor/Shaft wk ²	0.23 Lb-Ft ²			
Ref Wdg	T82102 FY			
Sound Pressure @ 1M	75 dBA			
VFD Rating	NONE			
Outline Dwg	035813LN-950			
Conn. Diag	005010.01 LN			
Additional Specifications:				
0				
0				
EQUIV CKT (OHMS / PHASE)				
R1	R2	X1	X2	Xm
1.7780	2.0150	7.3220	2.4500	167.4420



Speed - Torque Curve



EC Declaration of Conformity

The undersigned representing
the manufacturer:

Regal Beloit America
100 East Randolph St.
Wausau, WI 54401

and the authorized representative
established within the Community:

Marathon Electric UK
6F Thistleton Road Ind. Estate
Market Overton
Oakham, Rutland LE15 7PP UK

are committed to providing customers with products that comply with applicable regulations and international protocols to which they are subject, including the requirements of the European Parliament Directive on the Harmonization of the laws relating to electrical equipment designed for use within certain voltage limits (2014/35/EU).

Regal Beloit America declares that the following product(s), to which this declaration relates, are in conformity with the relevant sections of the EC standards listed below.

This statement supersedes any statements previously issued pertaining to the product(s) listed below and is subject to change without notice.

Model No : LM33570

(Model No. may contain prefix and/or suffix characters)

Catalog No : LM33570

Rework No : N/A

Directives :

Low Voltage Directive 2014/35/EU

Harmonized Standards Used :

EN 60034-1: 2010 (IEC 60034-1: 2010)

EN 60034-5: 2001/A1:2007 (IEC 60034-5: 2000/A1:2006)

Authorized Representative:



Michael A. Logsdon
Vice President, Technology

Authorized Representative in the Community:



Julian Clark
Marketing Engineer

Created on 09/01/2022

CE 22