

# PRODUCT INFORMATION PACKET

Model No: LM34145

Catalog No: LM34145

General Purpose Motor, 2 HP, 3 Ph, 60 Hz, 230/460 V, 900 RPM, 213T Frame, TEFC



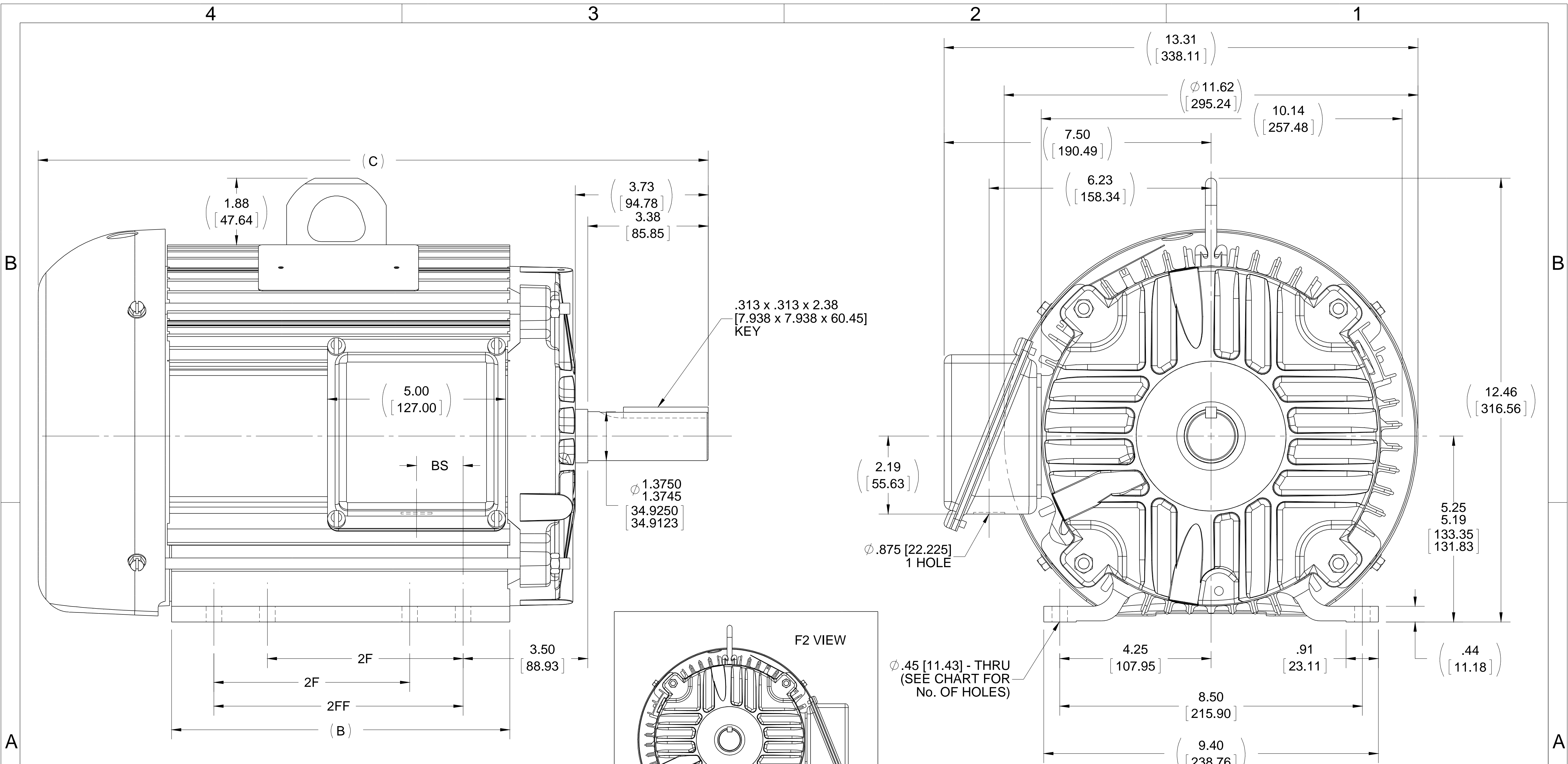
Regal and are trademarks of Regal Rexnord Corporation or one of its affiliated companies.  
©2022 Regal Rexnord Corporation, All Rights Reserved. MC017097E

**Nameplate Specifications**

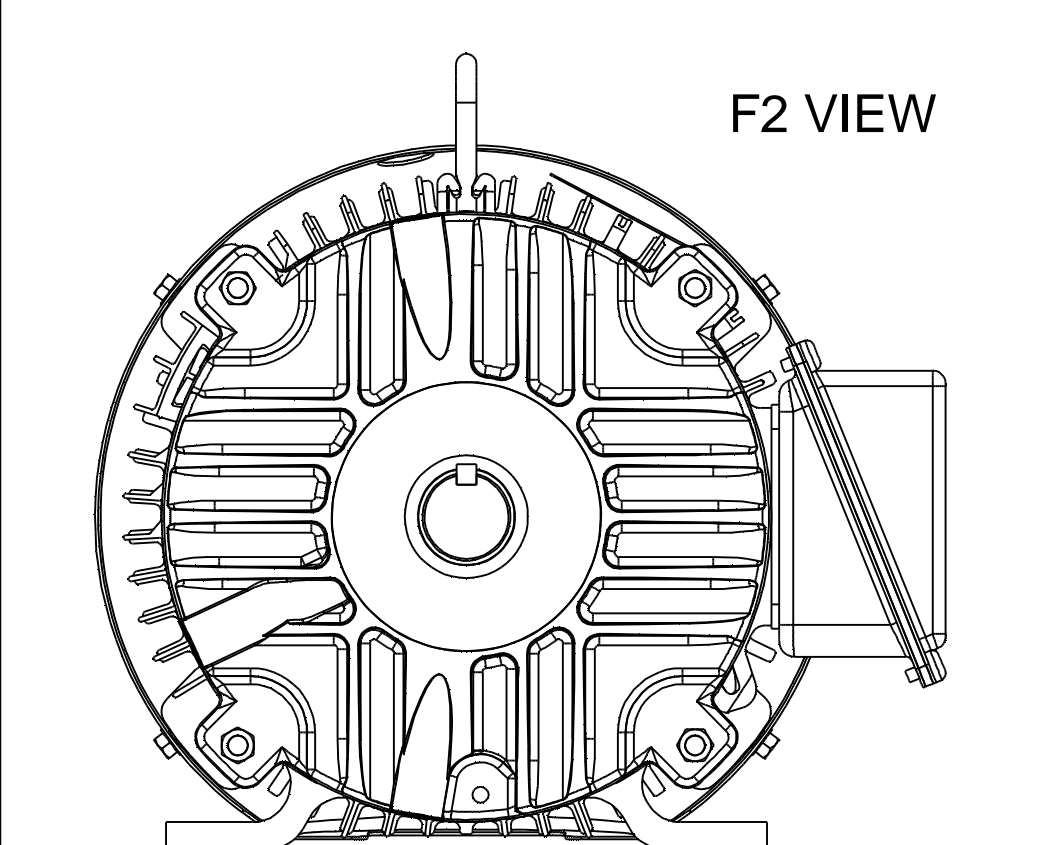
Output HP	<b>2 Hp</b>	Output KW	<b>1.5 kW</b>
Frequency	<b>60 Hz</b>	Voltage	<b>230/460 V</b>
Current	<b>10.0/5.0 A</b>	Speed	<b>875 rpm</b>
Service Factor	<b>1.15</b>	Phase	<b>3</b>
Efficiency	<b>86.5 %</b>	Power Factor	<b>66.5</b>
Duty	<b>Continuous</b>	Insulation Class	<b>F</b>
Design Code	<b>B</b>	KVA Code	<b>H</b>
Frame	<b>213T</b>	Enclosure	<b>Totally Enclosed Fan Cooled</b>
Thermal Protection	<b>No Protection</b>	Ambient Temperature	<b>40 °C</b>
Drive End Bearing Size	<b>6208</b>	Opp Drive End Bearing Size	<b>6206</b>
UL	<b>Recognized</b>	CSA	<b>Y</b>
CE	<b>Y</b>	IP Code	<b>43</b>
Number of Speeds	<b>1</b>		

**Technical Specifications**

Electrical Type	<b>Squirrel Cage Induction Run</b>	Starting Method	<b>Across The Line</b>
Poles	<b>8</b>	Rotation	<b>Reversible</b>
Resistance Main	<b>3.5 Ohms</b>	Mounting	<b>Rigid Base</b>
Motor Orientation	<b>Horizontal</b>	Drive End Bearing	<b>Ball</b>
Opp Drive End Bearing	<b>Ball</b>	Frame Material	<b>Aluminum</b>
Shaft Type	<b>T</b>	Overall Length	<b>18.84 in</b>
Frame Length	<b>9.50 in</b>	Shaft Diameter	<b>1.375 in</b>
Shaft Extension	<b>3.38 in</b>	Assembly/Box Mounting	<b>F1/F2 CAPABLE</b>
Outline Drawing	<b>SS330100LN-950</b>	Connection Drawing	<b>EE7308-LN</b>



NOTES:  
 1- BOX CAN BE ROTATED IN 90° STEPS.  
 2- NAMEPLATE TO BE READ FROM C'BOX SIDE OF MOTOR.



DASH	FRAME	B	C	2F	2FF	BS	F1/F2	No. OF MTG HOLES
800	213T	8.12 [206.25]	17.34 [440.44]	5.50 [139.70]	---	1.33 [33.76]	NO	4
950	213/5T	9.62 [244.35]	18.84 [478.54]	5.50 [139.70]	7.00 [177.80]	1.33 [33.76]	YES	8
1050	215T	10.62 [269.75]	19.84 [503.94]	7.00 [177.80]	8.00 [203.20]	1.33 [33.76]	YES	8

DRAWING REVISION E  
 ECO ECO-0073312  
 REVISION BY JHA  
 APPROVED BY DJK  
 DATE 04-13-2015  
 DATE 04-14-2015  
 ECO DESCRIPTION  
 UPDATED TO CURRENT STANDARDS  
 COPYRIGHT REGAL BELOIT AMERICA, INC. ALL RIGHTS RESERVED. PROPRIETARY AND CONFIDENTIAL INFORMATION - THIS DOCUMENT IS THE PROPERTY OF REGAL BELOIT AMERICA, INC. ("OWNER") AND CONTAINS OWNER'S PROPRIETARY INFORMATION. ANY PERSON, CORPORATION OR OTHER FIRM RECEIVING IT IS DEEMED, BY RECEIVING IT, TO AGREE THAT IT, AND/OR ANY PART OF IT, SHALL NOT BE DISCLOSED TO ANY PERSON, CORPORATION OR OTHER ENTITY, DUPLICATED, AND/OR USED, EXCEPT AS EXPRESSLY APPROVED IN WRITING IN ADVANCE BY OWNER. THIS DOCUMENT SHALL BE RETURNED TO OWNER UPON REQUEST. IT MAY BE SUBJECT TO CERTAIN RESTRICTIONS UNDER APPLICABLE EXPORT CONTROL LAWS AND REGULATIONS.

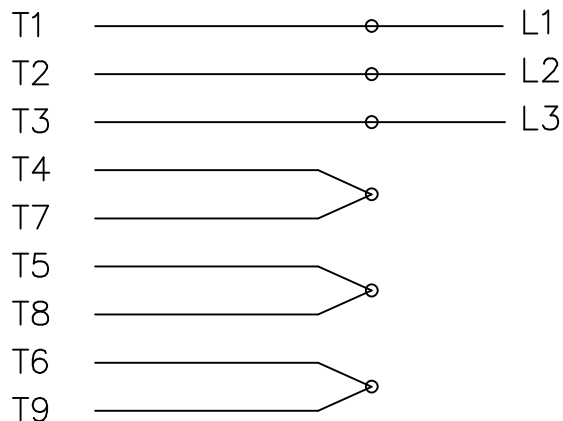
TOLERANCES UNLESS OTHERWISE SPECIFIED:  
 DEC. INCH mm ANGLE  
 .X ±0.1 [±2.5] ±7° 30"  
 .XX ±0.03 [±0.76]  
 .XXX ±0.005 [±0.127]  
 .XXXX ±0.0005 [±0.0127]  
 REMOVE BURRS & BREAK SHARP EDGES: .003/.015 [0.076/.381] X 45°  
 CORNER FILLETS: R.02 [0.51]  
 MACHINED SURFACES: 200 INCH mm 5.1  
 mm SHOWN IN [BRACKETS]

DRAWN BY MJK  
 DATE 04-20-2004  
 APPROVED BY JPL  
 DATE 04-20-2004  
 REFERENCE  
 THIRD ANGLE PROJECTION

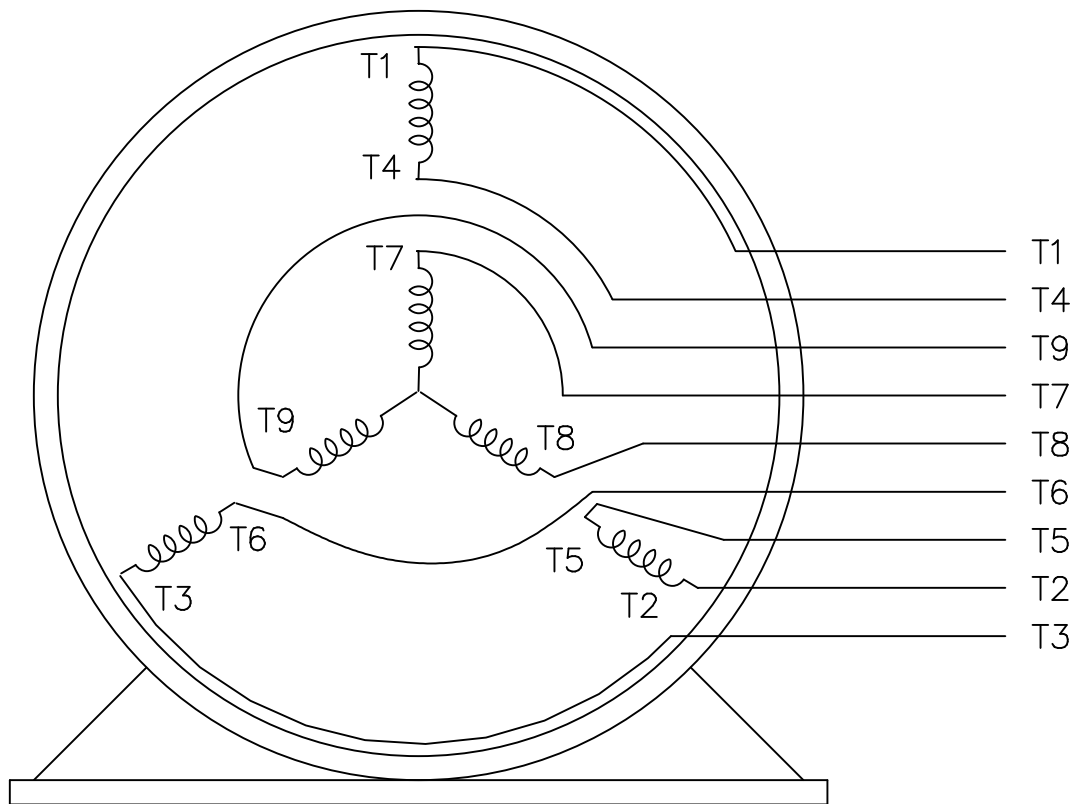
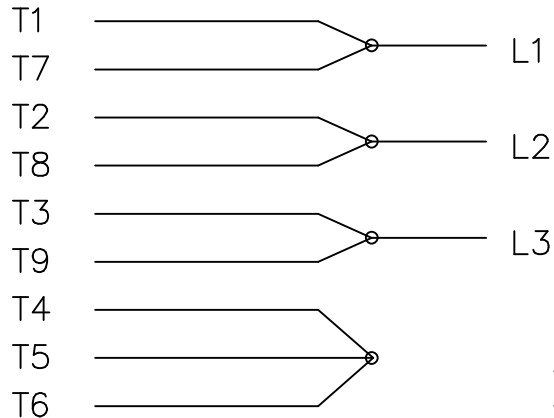
**REGAL**™ Regal Beloit America, Inc.  
 DESCRIPTION  
**OUTLINE**  
 210T FR - ALUM FR - TEFC  
 MATERIAL PROCESS/FINISH  
 SIZE B DRAWING NUMBER **SS330100LN** SHEET 1 OF 1

THREE PHASE  
DUAL VOLTAGE MOTOR

HIGH VOLTAGE



LOW VOLTAGE



VIEW OF TERMINAL END

REF.  
WINDING DIAGRAM

T8Y, T2Y, T2BL, T4BX, T2EC, T2G  
T6BZ, T2B, T6BL, T4AV, T6B, T4B

OPTIONAL CORD  
CONNECTION

L1 — WHITE  
L2 — RED  
L3 — BLACK

NO.	REVISION	BY & DATE	CHK	TOLERANCES UNLESS SPECIFIED		FINISH	DRAWN	DATE	SCALE	REF	PREV
				DEC.	INCHES						
				.X	±.1		BLR	06/11/1999			
							ML	06/18/1999			
							GK	06/18/1999			
3	ADDED THE OPTIONAL CORD CONNECTION MU46318	RDH 04/24/2003	DRS	.XX	±.02	TITLE CONNECTION DIAGRAM			1=1		
2	RE-ISSUE, ADDED '-' TO PART NUMBER	BLR 08/09/1999	GK	.XXX	±.005	3∅ - DUAL VOLTAGE MOTOR					
1	NEW DRAWING	BLR 06/18/1999	GK	.XXXX	±.0005	MAT'L.					
				ANG	±7'30"						
			RFP			CAD FILE EE7308LN	SIZE	DRAWING NO.	PAGE	OF	REV.
			DIST	WP			A	EE7308-LN			3



THIS DRAWING IN DESIGN AND DETAIL IS OUR PROPERTY AND MUST NOT BE USED EXCEPT IN CONNECTION WITH OUR WORK ALL RIGHTS OF DESIGN AND INVENTION ARE RESERVED THIS IS AN ELECTRONICALLY GENERATED DOCUMENT - DO NOT SCALE THIS PRINT

P.O. BOX 8003  
 WAUSAU, WI 54401-8003  
 PH. 715-675-3311



DATA VOLTS: 460

**CERTIFICATION DATA SHEET**

CONN. DIAGRAM: EE7308-LN  
 OUTLINE: B-SS330100LN-950  
 WINDING: 215838

CAT #: LM34145

R17 6

**TYPICAL MOTOR PERFORMANCE DATA**

HP	KW	SYNC RPM	FL RPM	FRAME	ENCLOSURE	TYPE	KVA CODE	DESIGN
3	2.2	900	875	213T	TEFC	TFL	H	B

PH	HZ	VOLTS	AMPS	START TYPE	DUTY	INSL	S.F.	AMB	ELEV.
3	60	230/460	10/5	ACROSS THE LINE	CONT	F	1.15	40	3300

F.L. EFF	86.5	3/4 LD EFF	87.0	1/2 LD EFF	85.5	GTD EFF	ELECT. TYPE
F.L. PF	66.5	3/4 LD PF	60.0	1/2 LD PF	48.5	84.0	SQ CAGE IND RUN

F.L. TORQUE	LR AMPS @ 460 V	L.R. TORQUE	B.D. TORQUE	F.L. RISE (°C)
18.0 LB-FT	24.0	27.5 LB-FT 153%	46.0 LB-FT 256%	40

PRESSURE @ 3	POWER	ROTOR WK²	MAX. LOAD WK²	SAFE STALL TIME	STARTS/HOUR	MOTOR WGT
52 dBA	61 dBA	0.95 LB-FT²	0 LB-FT²	20 SEC.	4	215 LB.

**\*\*\* SUPPLEMENTAL INFORMATION \*\*\***

DE BRACKET TYPE	ODE BRACKET TYPE	MOUNT TYPE	MOTOR ORIENTATION	SEVERE DUTY	HAZARDOUS LOCATION	DRIP COVER	SCREENS	PAINT
STANDARD	STANDARD	RIGID	HORIZONTAL	NO	NONE	NO	NONE	GRAY (ENAMEL)

BEARINGS		GREASE	SHAFT TYPE	SPECIAL DE	SPECIAL ODE	SHAFT MATERIAL	FRAME MATERIAL
DE	ODE						
BALL	BALL	POLYREX EM	T	NONE	NONE	1045 HOT ROLLED (C-204)	ALUMINUM
6208	6206						

THERMOSTATS	PROTECTORS	WDG RTD's	BRG RTD's	THERMISTORS	CONTROL	SPACE HEATERS
NONE	NOT	NONE	NONE	NONE	FALSE	NA

R1 (ohms/ph)	R2 (ohms/ph)	X1 (ohms/ph)	X2 (ohms/ph)	Xm (ohms/ph)	VIBRATION (in/sec)	FLOAT
2.1	2.261	8.864	10.69	82.964	0.150	ODE

* N O T E S *	INVERTER TORQUE: NONE	
	INV. HP SPEED RANGE: NONE	
	ENCODER: NONE	
	NONE	
	NONE	

DATE: 1/23/2018	BRAKE: NONE	
	NONE	
	NONE	
	NONE	
FT-LB: NA		
VOLTAGE: NONE		
UL: V-INS, CONST UL REC		
HZ:		

Data Sheet

Date: 1/23/2018

LM34145



Data @ 460 V

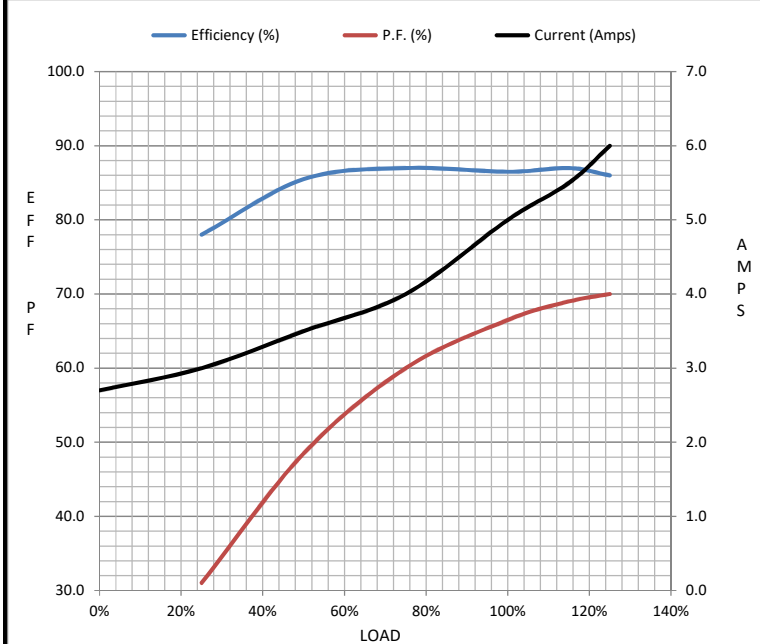
Motor Load Data

Load	0%	25%	50%	75%	100%	115%	125%	LR
Current (Amps)	2.70	3.0	3.5	4.0	5.0	5.5	6.0	24.0
Torque (ft-lb)	0.00	4.5	9.0	13.5	18.0	20.5	22.5	27.5
RPM	900	893	887	880	875	872	865	0
Efficiency (%)		78.0	85.5	87.0	86.5	87.0	86.0	
P.F. (%)	7.0	31.0	48.5	60.0	66.5	69.0	70.0	40.0

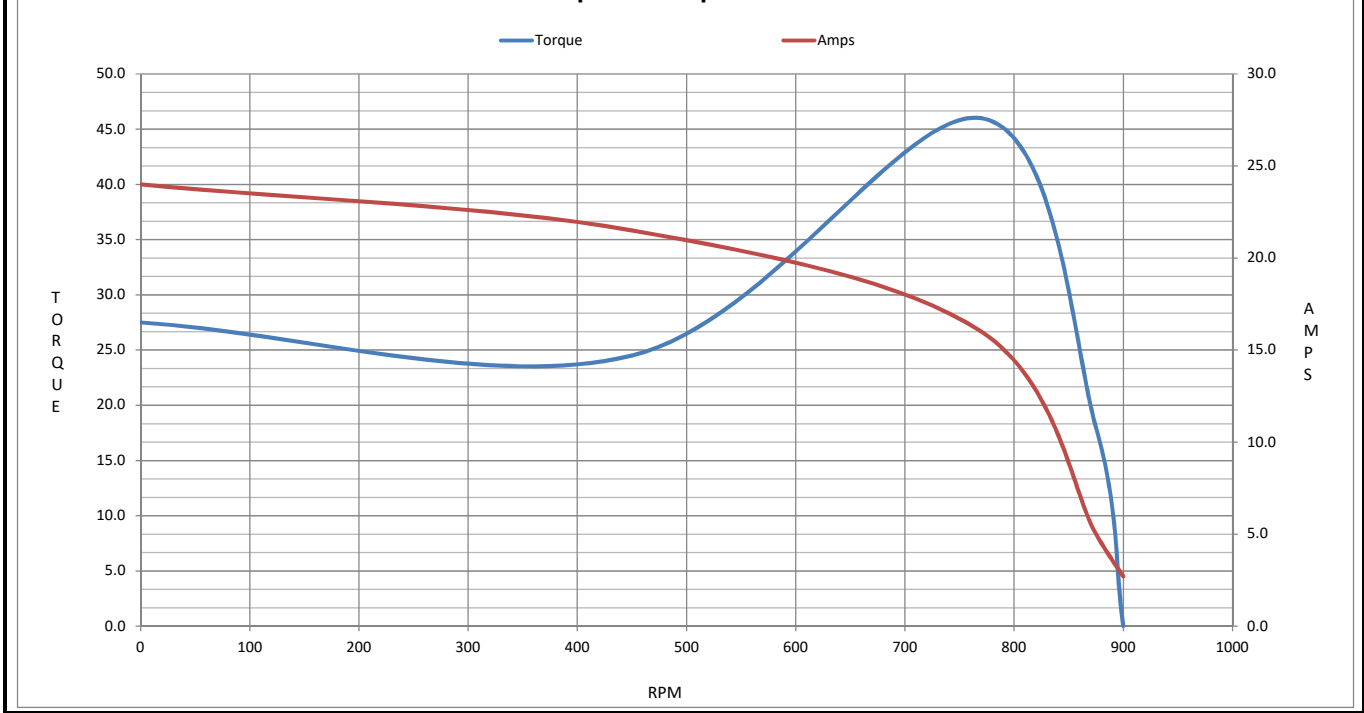
Motor Speed Data

	LR	Pull-Up	BD	Rated	Idle
Speed (RPM)	0	450	770	875	900
Current (Amps)	24.0	21.5	16.0	5.0	2.70
Torque (ft-lb)	27.5	24.5	46.0	18.0	0.00

Information Block				
HP	3.0			
Sync. RPM	900			
Frame	215			
Enclosure	TEFC			
Construction	TFL			
Voltage	230/460 V			
Frequency	60 Hz			
Design	B			
LR Code letter	H			
Service Factor	1.15			
Temp Rise @ FL	40 °C			
Duty	CONT			
Ambient	40 °C			
Elevation	1,000 feet			
Rotor/Shaft wk <sup>2</sup>	0.95 Lb-Ft <sup>2</sup>			
Ref Wdg	215838 R17			
Sound Pressure @ 1M	52 dBA			
VFD Rating	NONE			
Outline Dwg	B-SS330100LN-950			
Conn. Diag	EE7308-LN			
Additional Specifications:				
0				
0				
EQUIV CKT (OHMS / PHASE)				
R1	R2	X1	X2	Xm
2.1000	2.2610	8.8640	10.6900	82.9640



Speed - Torque Curve



## EC Declaration of Conformity

The undersigned representing  
the manufacturer:

Regal Beloit America  
100 East Randolph St.  
Wausau, WI 54401

and the authorized representative  
established within the Community:

Marathon Electric UK  
6F Thistleton Road Ind. Estate  
Market Overton  
Oakham, Rutland LE15 7PP UK

are committed to providing customers with products that comply with applicable regulations and international protocols to which they are subject, including the requirements of the European Parliament Directive on the Harmonization of the laws relating to electrical equipment designed for use within certain voltage limits (2014/35/EU).

Regal Beloit America declares that the following product(s), to which this declaration relates, are in conformity with the relevant sections of the EC standards listed below.

This statement supersedes any statements previously issued pertaining to the product(s) listed below and is subject to change without notice.

Model No : LM34145

(Model No. may contain prefix and/or suffix characters)

Catalog No : LM34145

Rework No : N/A

Directives :

Low Voltage Directive 2014/35/EU

Harmonized Standards Used :

EN 60034-1: 2010 (IEC 60034-1: 2010)

EN 60034-5: 2001/A1:2007 (IEC 60034-5: 2000/A1:2006)

Authorized Representative:



Michael A. Logsdon  
Vice President, Technology

Authorized Representative in the Community:



Julian Clark  
Marketing Engineer

Created on 09/01/2022

**CE 22**