



GE INDUSTRIAL MOTORS
a WOLONG company

Product Technical Information

February 17, 2023

Data shown is for the current revision model #. Ensure your nameplate model # matches.

Model Number:	5KS324BAA201
Catalog Number:	M1000
Instruction Manual:	GEI-56128
Connection Diagram:	GEM2034E-FIG9
Outline Drawing:	239CG001AA

Accessory Connection Diagrams

Bearing Thermocouple:	None	Heater:	None
RTD:	None	Thermistor:	None
Thermostat:	None	Winding Thermocouple:	None
Bearing RTD:	None		

Table of Contents

Specification	01
Performance Characteristics	02
Outline Drawing	03
Connection Drawing(s)	04
Spare parts	05

Marks:

MODEL NUMBER:	5KS324BAA201
Outline Drawing:	239CG001AA
Connection Diagram:	GEM2034E-FIG9
Instruction Book:	GEI-56128
Design Code:	32BD1182A
Type:	KS
Frame:	324TC
Phases:	3
Poles:	4
Output Power:	40HP 29.6KW
RPM:	1780
Voltage:	230/460
Hertz:	60
Amps - FL:	99.4/49.7
Service Factor:	1.15
Alt Service Factor:	--

Estimated Weight:	670 Lbs
Time Rating:	CONT
Enclosure:	TEFC
Encl Construction:	GP
Ambient Max(°C):	40
Alt Ambient Max(°C):	--
Insulation Class:	F
NEMA Design:	B
Nominal Efficiency:	94.1 %
Guaranteed Efficiency:	93.0 %
3/4 Load Efficiency:	--
KVA Code:	G
Max KVAR:	15.2
Power Factor:	80.0
Bearing - DE:	6312ZC3
Bearing - ODE:	6210ZC3

Enclosure is Totally Enclosed Fan-Cooled

Stamped Nameplate Notes:

VT 0-60 HZ NEMA MG1-31



Additional Information:

4P - T EXTN
C FACE WITH 12.50 RABBIT ON DE
C/BOX 346 CU IN - 3.00" NPT
F1 MOUNTING
INVERTER DUTY PER NEMA MG1 PART 31
ALTERNATE RATING FOR PWM CONTROL:1.0SF 40C AMBIENT
VAR TORQUE RANGE 0-60 HZ



Performance Characteristics

1st Winding 1st Connection

Design: 32BD1182A

Marks:

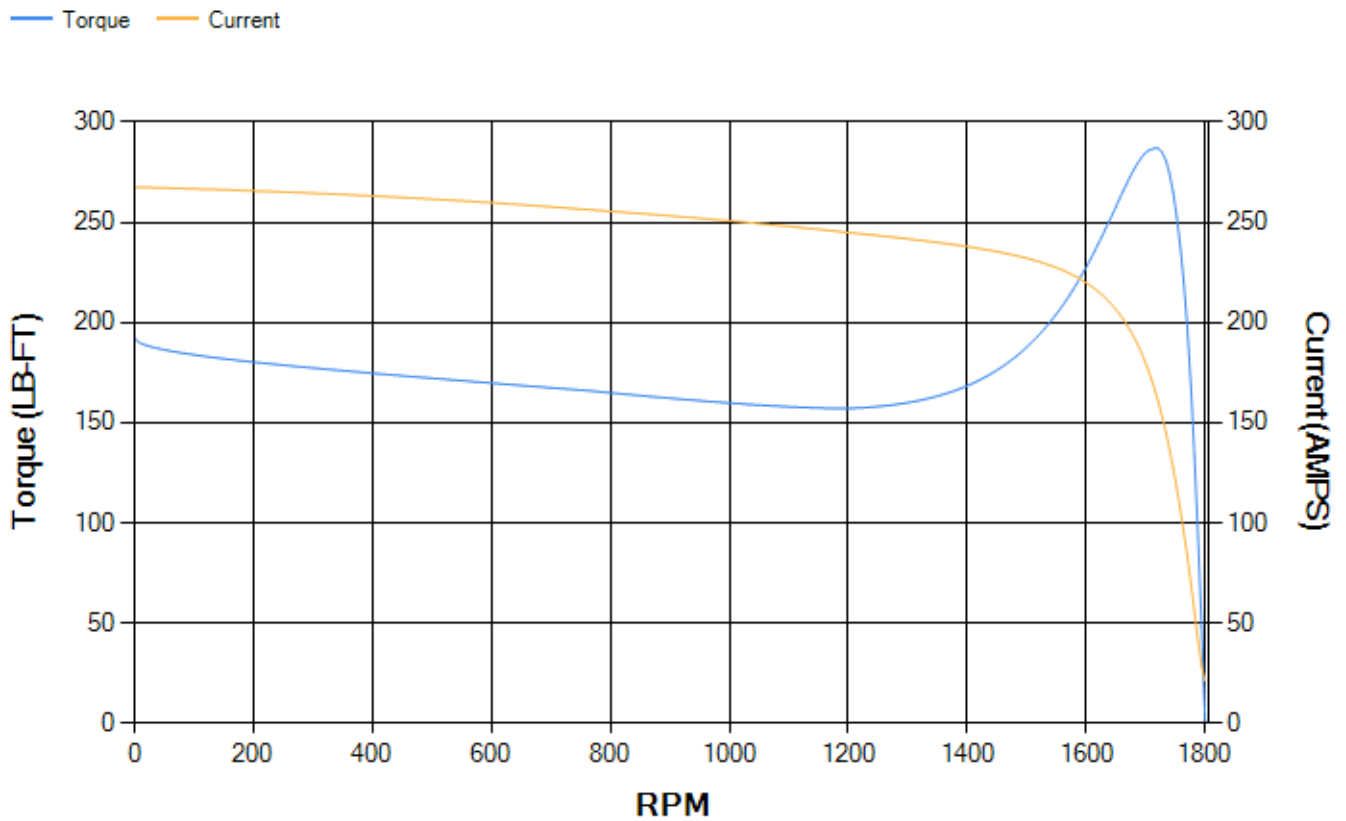
LOAD %	125.0	115.0	100.0	75.0	50.0	25.0	0.0
% EFF	93.44	93.73	94.29	94.38	93.95	91	0.00
% PF	82.18	81.61	80.15	75.28	64.7	42.44	3.55
AMPS	60.94	56.28	49.43	39.52	30.79	24.24	21.17

TORQ(FL)#FT	118.11	TORQ(LR)%FL	162.85	TORQ(BD)%FL	242.14
AMPS(LR)	267.59	PF AT START	0.33		

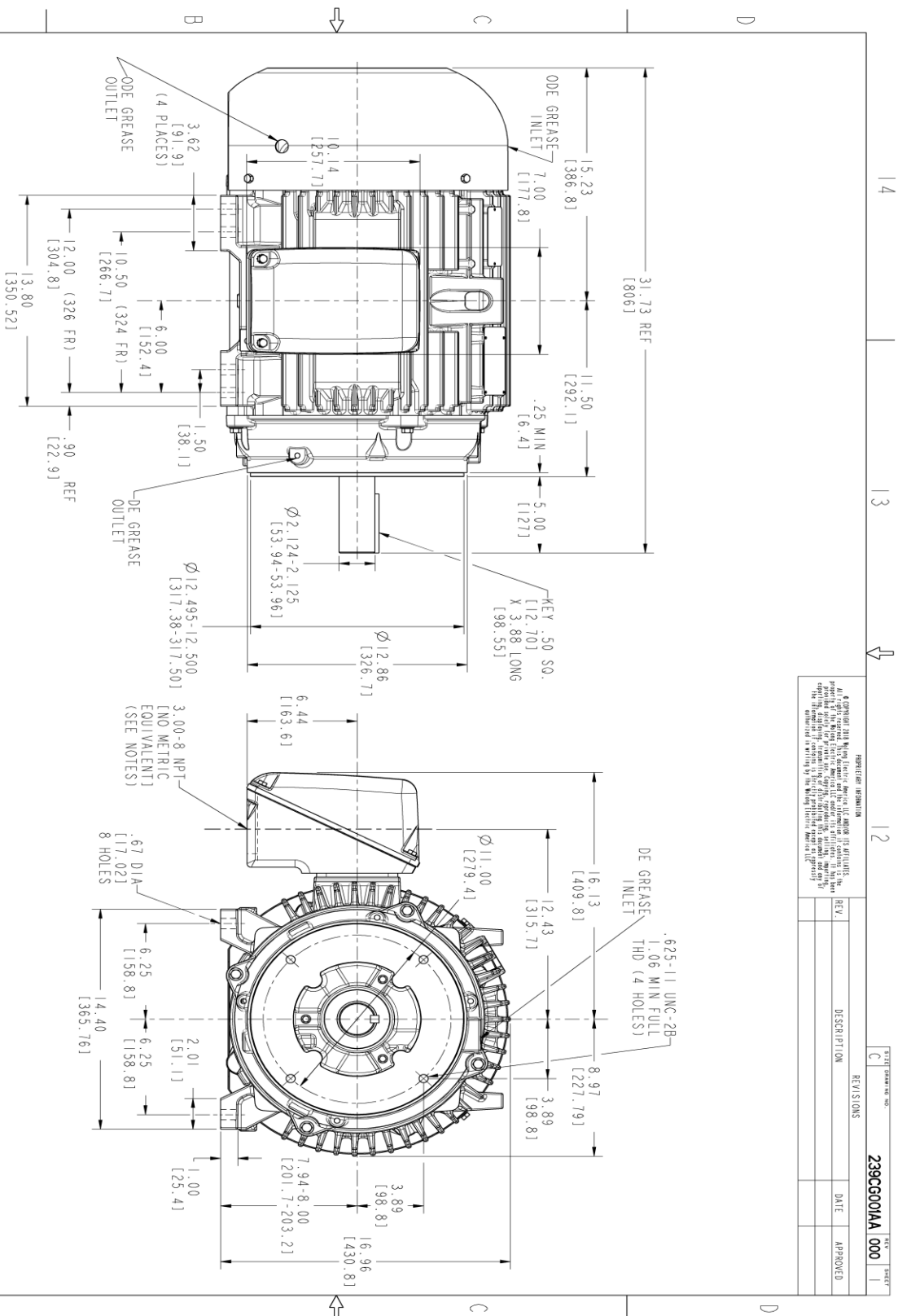
This motor is capable of two cold or one hot start with a maximum connected load inertia of 952 Lb-Ft Sq (40.08 Kg-meter Sq)at 100% voltage, where the load torque varies with the square of the speed. Acceleration time with maximum inertia and the above load type is 40 seconds. Safe stall time at 100% voltage is 88 seconds cold, 47 seconds hot. Rotor inertia is 6.94 Lb-Ft Sq (0.29 Kg-meter Sq).

Open Circuit A-C:	0.479	Short Circuit D-C:	0.022
Short Circuit A-C:	0.032	X/R Ratio:	8.428
Stator Slots:	48	Rotor Slots:	38

Speed Torque Current Curve (First Connection, First Speed)



Marks:



- NOTES :
1. CONDUIT BOX MAY BE PLACED WITH THE ENTRANCE DOWN, UP OR ON EITHER SIDE.
 2. F-1 ASM AS SHOWN.
 3. ALL DIMENSIONS ARE IN INCHES. BRACKETED DIMENSIONS ARE METRIC (MILLIMETERS).

REVISION INFORMATION REV. DESCRIPTION DATE APPROVED	

THIRD ANGLE PROJECTION 	SIGNATURES MODEL: UTKASHA 12/01/21 CHECKED: UTKASHA 12/01/21 DWG: KALIDAS 12/01/21 DATE: 12/01/21 TITLE: INDUCTION MOTOR OUTLINE GP CONSTRUCTION 324/326TC TERC, 346 CU, IN, C-BOX 239CG001AA SCALE: 0.250 REF. No: 239CG001AA SHEET 1 OF 1
----------------------------	--

Marks:

Connection Diagram
GEM2034E-FIG9



End shield Assembly		
Part Description	DE Side Part#	ODE Side Part#
End Shield	115E4203AA1	115E4201ZA1
Bearing	235A2609AA01	235A2610AA01
Slinger/Inproseal	149C4399G04	

Fan & Fan Cover Assembly	
Part Description	Part#
Fan	159C6900G04
Fan Cover	128D6854AA1

Conduit & Accessories Box Assembly	
Part Description	Part#
Conduit Box	149C4429AA2

Mechanical Accessories	
Part Description	Part#
Brake	
Tachometer	

