



GE INDUSTRIAL MOTORS
a **WOLONG** company

Product Technical Information

February 17, 2023

Data shown is for the current revision model #. Ensure your nameplate model # matches.

Model Number:	5KS447BAA101
Catalog Number:	M1008
Instruction Manual:	GEI-56128
Connection Diagram:	GEM2034E-FIG20
Outline Drawing:	239CGJ00AB

Accessory Connection Diagrams

Bearing Thermocouple:	None	Heater:	None
RTD:	None	Thermistor:	None
Thermostat:	None	Winding Thermocouple:	None
Bearing RTD:	None		

Table of Contents

Specification	01
Performance Characteristics	02
Outline Drawing	03
Connection Drawing(s)	04
Spare parts	05

Marks:

MODEL NUMBER:	5KS447BAA101	Estimated Weight:	2450 Lbs
Outline Drawing:	239CGJ00AB	Time Rating:	CONT
Connection Diagram:	GEM2034E-FIG20	Enclosure:	TEFC
Instruction Book:	GEI-56128	Encl Construction:	GP
Design Code:	49BD0286A	Ambient Max(°C):	40
Type:	KS	Alt Ambient Max(°C):	--
Frame:	447TS	Insulation Class:	F
Phases:	3	NEMA Design:	B
Poles:	2	Nominal Efficiency:	95.4 %
Output Power:	200HP 148KW	Guaranteed Efficiency:	94.5 %
RPM:	3580	3/4 Load Efficiency:	--
Voltage:	460	KVA Code:	G
Hertz:	60	Max KVAR:	36.5
Amps - FL:	216.0	Power Factor:	91.0
Service Factor:	1.15	Bearing - DE:	6314ZC3
Alt Service Factor:	--	Bearing - ODE:	6314ZC3

Enclosure is Totally Enclosed Fan-Cooled

Stamped Nameplate Notes:

ROT CCW FACING ODE LEAD/PH SEQ 3-2-1/1-2-3
VT 0-60 HZ NEMA MG1-31



Additional Information:

2P - TS EXTN - SPLIT LEAD
C/BOX 700 CU IN - 3.00" NPT
F1 MOUNTING
INVERTER DUTY PER NEMA MG1 PART 31
ALTERNATE RATING FOR PWM CONTROL:1.0SF 40C AMBIENT
VAR TORQUE RANGE 0-60 HZ



Performance Characteristics

1st Winding 1st Connection

Design: 49BD0286A

Marks:

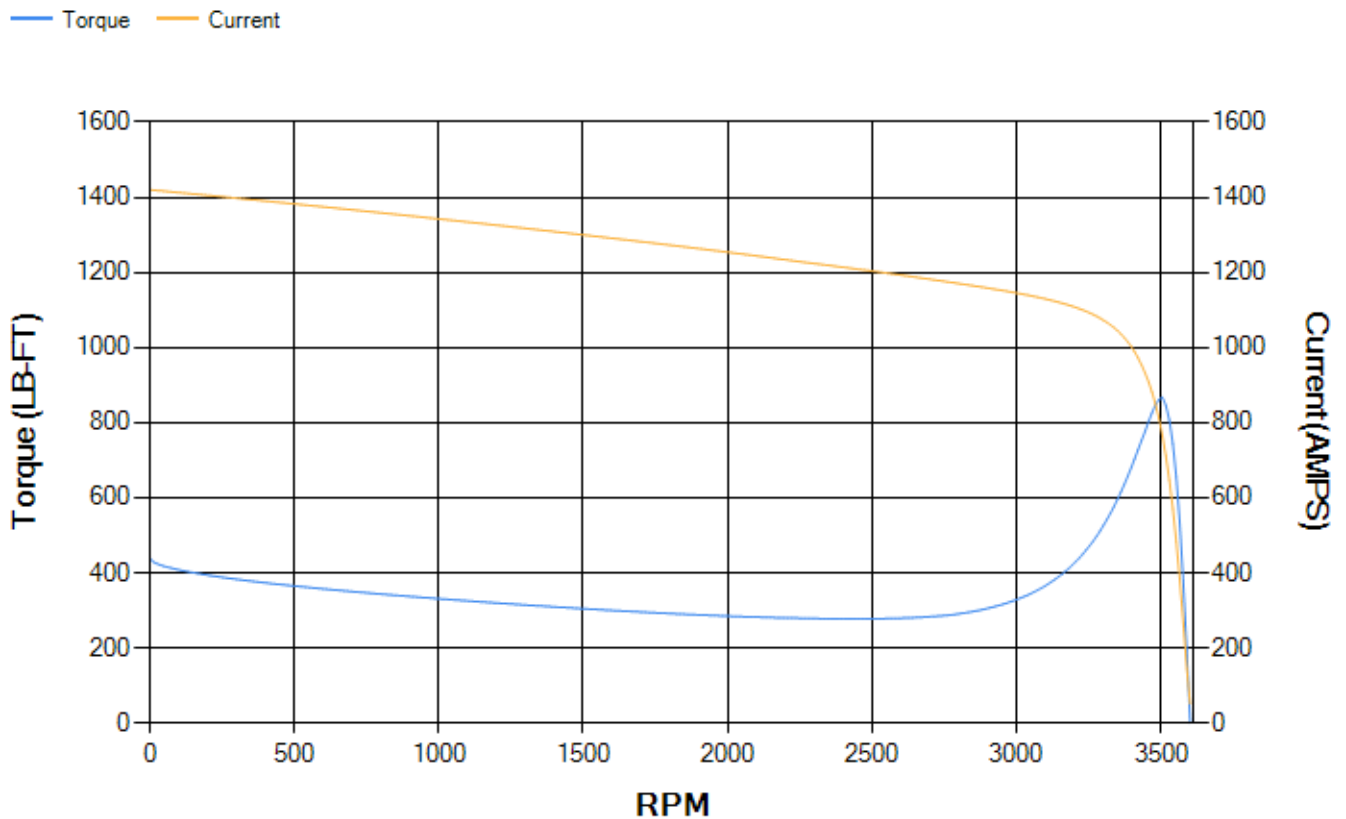
LOAD %	125.0	115.0	100.0	75.0	50.0	25.0	0.0
% EFF	95.18	95.38	95.81	95.78	95.4	93.05	0.00
% PF	90.97	91.07	90.93	89.55	84.86	68.15	5.98
AMPS	270.23	247.84	214.88	163.68	115.61	73.79	50.92

TORQ(FL)#FT	293.39	TORQ(LR)%FL	150.13	TORQ(BD)%FL	295.36
AMPS(LR)	1420.21	PF AT START	0.22		

This motor is capable of two cold or one hot start with a maximum connected load inertia of 542 Lb-Ft Sq (22.82 Kg-meter Sq)at 100% voltage, where the load torque varies with the square of the speed. Acceleration time with maximum inertia and the above load type is 26 seconds. Safe stall time at 100% voltage is 60 seconds cold, 31 seconds hot. Rotor inertia is 34.11 Lb-Ft Sq (1.44 Kg-meter Sq).

Open Circuit A-C:	1.92	Short Circuit D-C:	0.034
Short Circuit A-C:	0.071	X/R Ratio:	12.92
Stator Slots:	48	Rotor Slots:	38

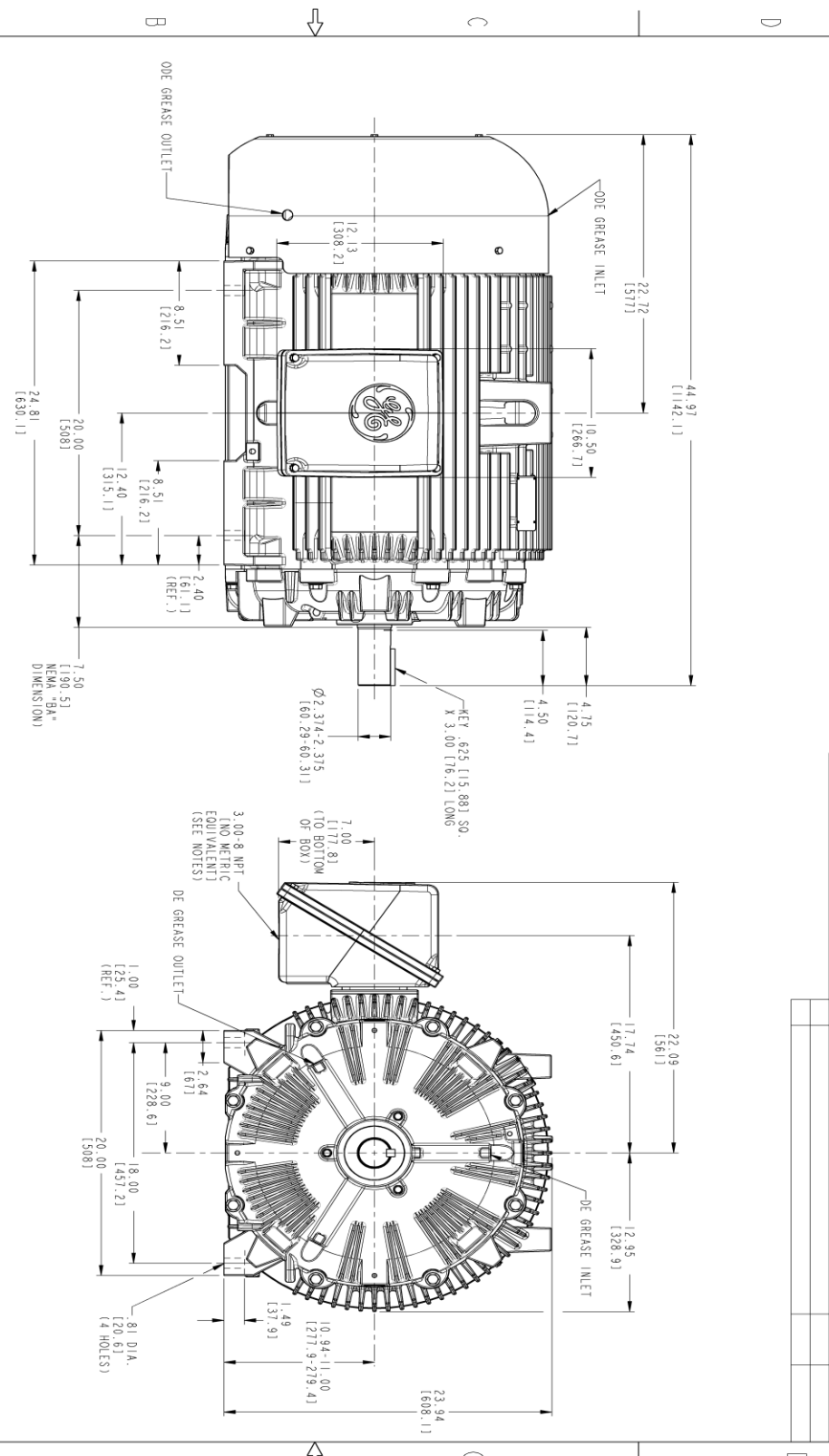
Speed Torque Current Curve (First Connection, First Speed)



Marks:

TYPICAL DRAWING NO.		REV. 1	
C		239CGJ00AB 000	
REV.	DESCRIPTION	DATE	APPROVED

REGISTRATION INFORMATION
 I hereby certify that the design shown on this drawing is the original design of the inventor or his assignee or that the inventor or his assignee has no objection to the registration of this design and that he is entitled to the benefits of this Act.



NOTES:

1. CONDUIT BOX MAY BE PLACED WITH THE ENTRANCE DOWN, UP OR ON EITHER SIDE.
2. F - I ASSEMBLY AS SHOWN.
3. ALL DIMENSIONS ARE IN INCHES. BRACKETED DIMENSIONS ARE METRIC (MILLIMETERS).



SIGNATURES		DATE	
MODEL	ANIL	10/11/2022	
REVISED	ANIL	10/11/2022	
CHECKED	SACHIN	10/11/2022	
DRAWN	ANIL	10/11/2022	
W/F			
QUALITY			
ISSUED	ANIL	10/11/2022	
SHEET			
SHEET			
SCALE: 0.180	REF. NO: 239CG00AB		

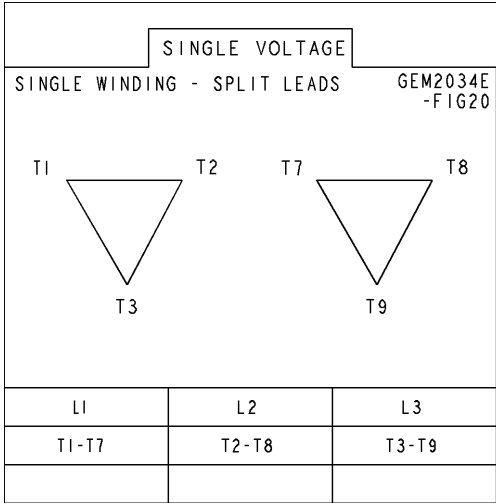
GE INDUSTRIAL MOTORS
 a WOLONG company

OUTLINE
 447 TS GP CONSTRUCTION
 TFC GP 700 CU IN CONDUIT BOX

239CGJ00AB
 000
 SHEET 1 OF 1

Marks:

Connection Diagram
GEM2034E-FIG20



End shield Assembly		
Part Description	DE Side Part#	ODE Side Part#
End Shield	115E4354AA1	115E4354ZA1
Bearing	235A2616AA01	235A2616AA01
Slinger/Inproseal	149C4399G05	

Fan & Fan Cover Assembly	
Part Description	Part#
Fan	
Fan Cover	128D6851AA1

Conduit & Accessories Box Assembly	
Part Description	Part#
Conduit Box	118D4408AD2

Mechanical Accessories	
Part Description	Part#
Brake	
Tachometer	

