



GE INDUSTRIAL MOTORS
a **WOLONG** company

Product Technical Information

October 11, 2022

Data shown is for the current revision model #. Ensure your nameplate model # matches.

Model Number:	5KS145BAA100
Catalog Number:	M1054
Instruction Manual:	GEI-56128
Connection Diagram:	GEM2034E-FIG3
Outline Drawing:	4002B5814GBP5202

Accessory Connection Diagrams

Bearing Thermocouple:	None	Heater:	None
RTD:	None	Thermistor:	None
Thermostat:	None	Winding Thermocouple:	None
Bearing RTD:	None		

Table of Contents

Specification	01
Performance Characteristics	02
Outline Drawing	03
Connection Drawing(s)	04
Spare parts	05

Marks:

MODEL NUMBER:	5KS145BAA100
Outline Drawing:	4002B5814GBP5202
Connection Diagram:	GEM2034E-FIG3
Instruction Book:	GEI-56128
Design Code:	14BD0076A
Type:	KS
Frame:	145TC
Phases:	3
Poles:	2
Output Power:	2HP 1.5KW
RPM:	3480
Voltage:	230/460
Hertz:	60
Amps - FL:	5.4/2.7
Service Factor:	1.15
Alt Service Factor:	--

Estimated Weight:	50 Lbs
Time Rating:	CONT
Enclosure:	TEFC
Encl Construction:	GP
Ambient Max(°C):	40
Alt Ambient Max(°C):	--
Insulation Class:	F
NEMA Design:	B
Nominal Efficiency:	85.5 %
Guaranteed Efficiency:	82.5 %
3/4 Load Efficiency:	--
KVA Code:	L
Max KVAR:	0.8
Power Factor:	80.5
Bearing - DE:	6206-2ZC3
Bearing - ODE:	6205-2ZC3

Enclosure is Totally Enclosed Fan-Cooled

Stamped Nameplate Notes:

VT 0-60 HZ NEMA MG1-31; 208V-5.6A



Additional Information:

2P - TC EXTN
STANDARD FLOOR MOUNT
C/BOX 30 CU IN-0.75 NPT
F1 CONDUIT BOX MOUNTING
"C" FACE AT DE ENDSHIELD AK=4 1/2"
INVERTER DUTY PER NEMA MG1 PART 31
ALTERNATE RATING FOR PWM CONTROL:1.0SF 40C AMBIENT
VAR TORQUE RANGE 0-60 HZ
SUITABLE FOR 208V -5.6 AMPS WITH 1.15 SF



Performance Characteristics

1st Winding 1st Connection

Design: 14BD0076A

Marks:

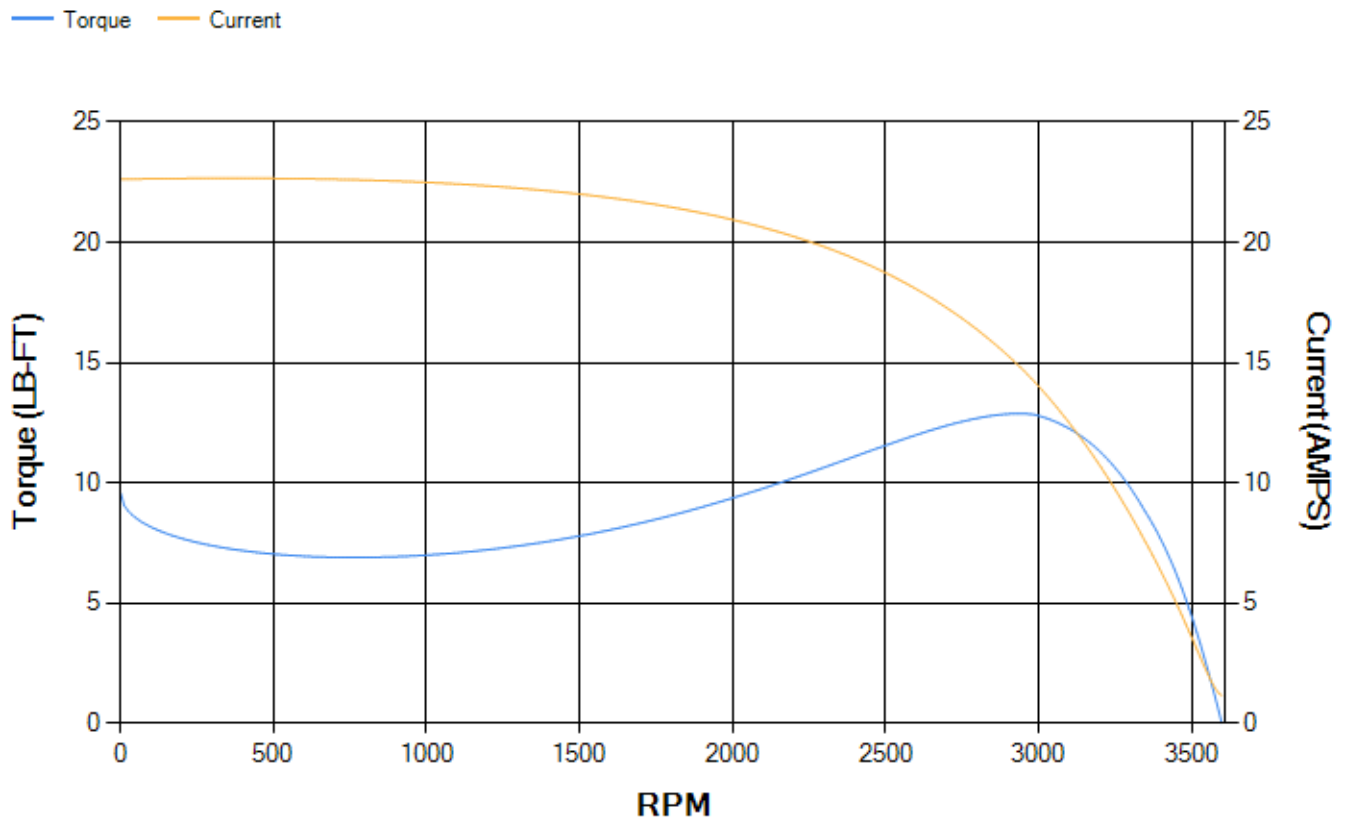
LOAD %	125.0	115.0	100.0	75.0	50.0	25.0	0.0
% EFF	84.57	85.01	85.67	85.46	83.52	75.48	0.00
% PF	84.35	83.13	84.36	74.14	62.28	41.4	11.07
AMPS	3.28	3.05	2.57	2.22	1.8	1.5	1.15

TORQ(FL)#FT	2.99	TORQ(LR)%FL	320.96	TORQ(BD)%FL	419.68
AMPS(LR)	22.63	PF AT START	0.54		

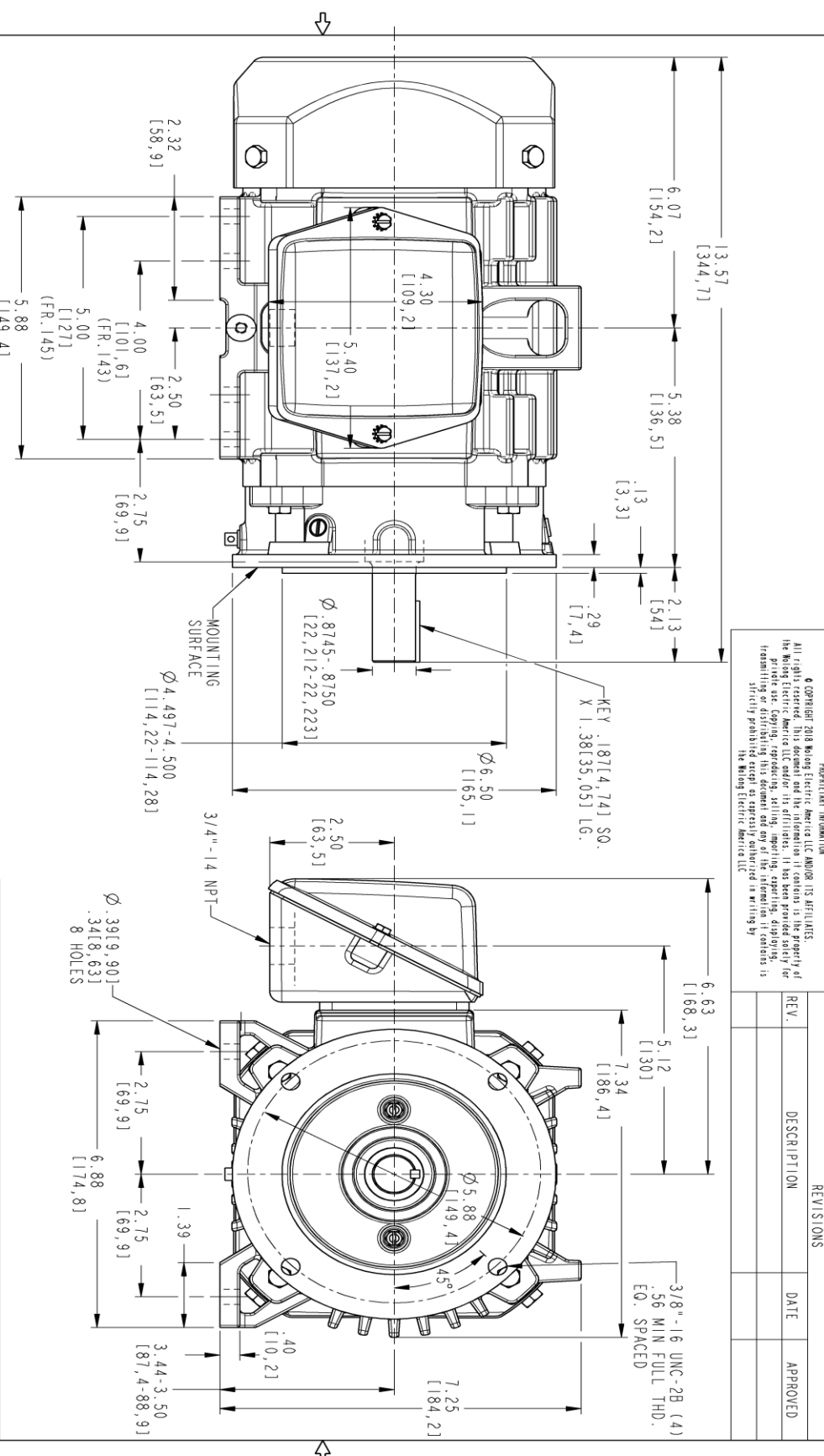
This motor is capable of two cold or one hot start with a maximum connected load inertia of 15 Lb-Ft Sq (0.63 Kg-meter Sq)at 100% voltage, where the load torque varies with the square of the speed. Acceleration time with maximum inertia and the above load type is 23 seconds. Safe stall time at 100% voltage is 51 seconds cold, 35 seconds hot. Rotor inertia is 0.04 Lb-Ft Sq (0 Kg-meter Sq).

Open Circuit A-C:	0.242	Short Circuit D-C:	0.005
Short Circuit A-C:	0.009	X/R Ratio:	1.917
Stator Slots:	24	Rotor Slots:	34

Speed Torque Current Curve (First Connection, First Speed)



Marks:



PROPRIETARY INFORMATION
 © COPYRIGHT 2018 Molong Electric America LLC AND/OR ITS AFFILIATES
 All rights reserved. This document and the information it contains is the property of
 Molong Electric America LLC and/or its affiliates. It has been provided solely for
 your use and is not to be distributed, copied, or reproduced in any form without the
 written permission of Molong Electric America LLC. Any other use, reproduction, or
 transmission of this document and/or its contents is strictly prohibited except as expressly authorized in writing by
 Molong Electric America LLC.

REV.	DESCRIPTION	DATE	APPROVED

SIZE DRAWING NO.	B
REV	000
SHEET	1
REV	
DESCRIPTION	
DATE	
APPROVED	



THIRD ANGLE PROJECTION

NOTE 1: CONDUIT BOX MAY BE ASSEMBLED WITH ENTRANCE UP, DOWN OR TO EITHER SIDE.
 NOTE 2: FI ASSEMBLY AS SHOWN.
 NOTE 3: MOUNTING SURFACES WILL BE SQUARE AND CONCENTRIC WITH SHAFT WITHIN .004 T.I.R.
 NOTE 4: SHAFT RUNOUT WILL NOT EXCEED .002 T.I.R.
 NOTE 5: ALL DIMENSIONS ARE IN INCHES, BRACKETED DIMENSIONS ARE IN METRIC (MILLIMETERS).

SIGNATURES	DATE
MODEL KALIDAS 03/12/22	
DETAIL KALIDAS 03/12/22	
DESIGN KALIDAS 03/12/22	
ENG KALIDAS 03/12/22	
QC KALIDAS 03/12/22	
ISSUED KALIDAS 03/12/22	
SOLID MODEL: 4002B5814GBP5202	

SCALE: 0.500	REF. No.: 4002B5814RBS5201
SHEET 1	OF 1

GE INDUSTRIAL MOTORS
 a molong company

INDUCTION MOTOR OUTLINE
 GP CONSTRUCTION

FR MOTC TEFC GP ULTRA C-FACE450° RABBERT30 CU IN CBOX

MODEL	4002B5814GBP5202
DETAIL	
DESIGN	
ENG	
QC	
ISSUED	
SOLID MODEL	4002B5814GBP5202
SCALE	0.500
REF. No.	4002B5814RBS5201
SHEET	1
OF	1

Marks:

Connection Diagram
GEM2034E-FIG3



End shield Assembly		
Part Description	DE Side Part#	ODE Side Part#
End Shield	4004D5289PA1	4004D5280SB1
Bearing	235A2602AA02	235A2600AA02
Slinger/Inproseal		

Fan & Fan Cover Assembly	
Part Description	Part#
Fan	4001A5914AM-G01
Fan Cover	4003C5808PA1

Conduit & Accessories Box Assembly	
Part Description	Part#
Conduit Box	4002B5718PX-G01

Mechanical Accessories	
Part Description	Part#
Brake	
Tachometer	

