



GE INDUSTRIAL MOTORS
a **WOLONG** company

Product Technical Information

October 11, 2022

Data shown is for the current revision model #. Ensure your nameplate model # matches.

Model Number:	5KS184BAA300
Catalog Number:	M1056
Instruction Manual:	GEI-56128
Connection Diagram:	GEM2034E-FIG3
Outline Drawing:	4002B5818GBP5202

Accessory Connection Diagrams

Bearing Thermocouple:	None	Heater:	None
RTD:	None	Thermistor:	None
Thermostat:	None	Winding Thermocouple:	None
Bearing RTD:	None		

Table of Contents

Specification	01
Performance Characteristics	02
Outline Drawing	03
Connection Drawing(s)	04
Spare parts	05

Marks:

MODEL NUMBER:	5KS184BAA300	Estimated Weight:	101 Lbs
Outline Drawing:	4002B5818GBP5202	Time Rating:	CONT
Connection Diagram:	GEM2034E-FIG3	Enclosure:	TEFC
Instruction Book:	GEI-56128	Encl Construction:	GP
Design Code:	18BD3002A	Ambient Max(°C):	40
Type:	KS	Alt Ambient Max(°C):	--
Frame:	184TC	Insulation Class:	F
Phases:	3	NEMA Design:	B
Poles:	6	Nominal Efficiency:	88.5 %
Output Power:	2HP 1.5KW	Guaranteed Efficiency:	86.5 %
RPM:	1170	3/4 Load Efficiency:	--
Voltage:	230/460	KVA Code:	L
Hertz:	60	Max KVAR:	1.2
Amps - FL:	6.0/3.0	Power Factor:	69.5
Service Factor:	1.15	Bearing - DE:	6307-2ZC3
Alt Service Factor:	--	Bearing - ODE:	6206-2ZC3

Enclosure is Totally Enclosed Fan-Cooled

Stamped Nameplate Notes:

VT 0-60 HZ NEMA MG1-31; 208V-6.3A



Additional Information:

6P - TC EXTN
STANDARD FLOOR MOUNT
C/BOX 30 CU IN-0.75 NPT
F1 CONDUIT BOX MOUNTING
"C" FACE AT DE ENDSHIELD AK=8 1/2"
INVERTER DUTY PER NEMA MG1 PART 31
ALTERNATE RATING FOR PWM CONTROL:1.0SF 40C AMBIENT
VAR TORQUE RANGE 0-60 HZ
SUITABLE FOR 208V-6.3 AMPS WITH 1.15 SF



Performance Characteristics

1st Winding 1st Connection

Design: 18BD3002A

Marks:

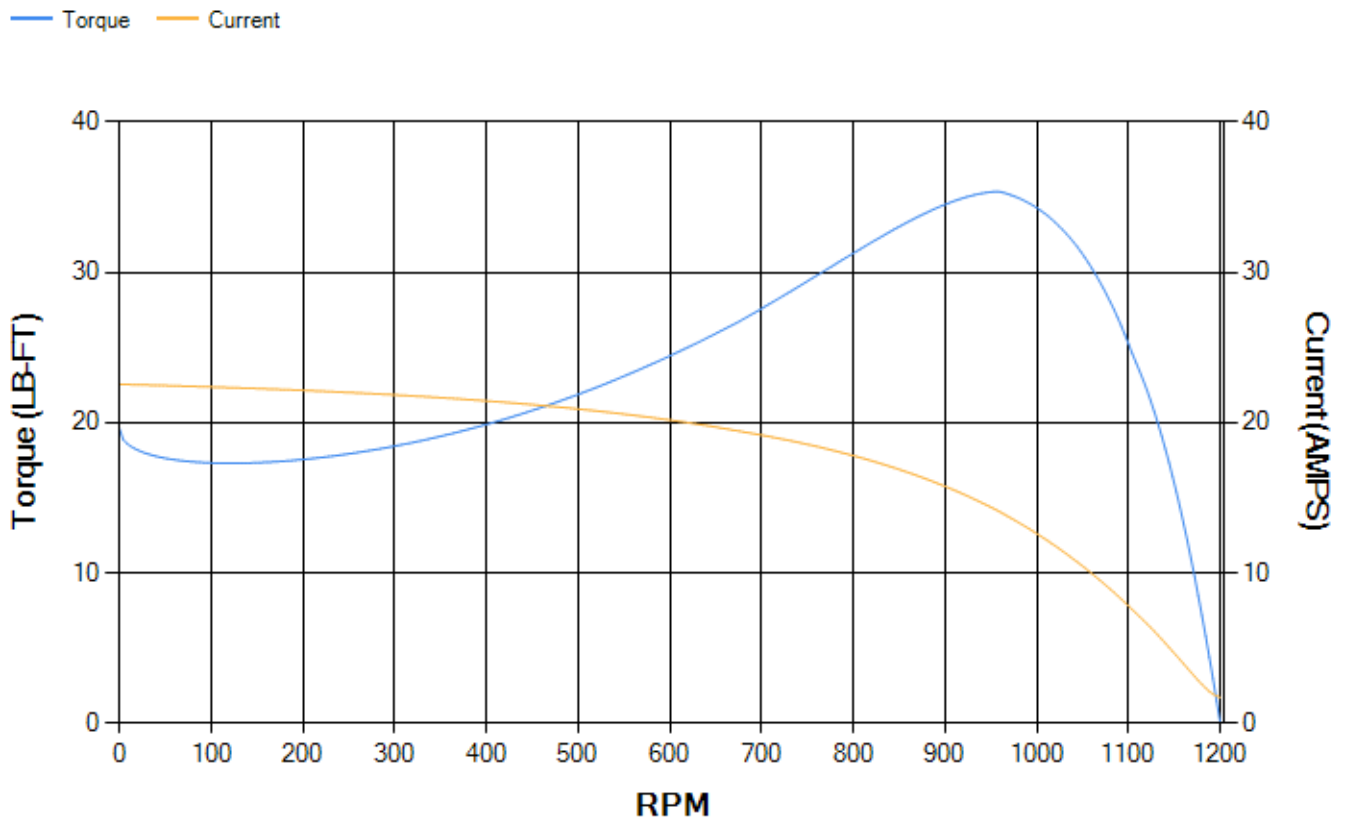
LOAD %	125.0	115.0	100.0	75.0	50.0	25.0	0.0
% EFF	87.5	87.94	88.62	88.62	87.31	81.02	0.00
% PF	74.89	73.11	71.45	61.48	48.62	29.76	5.57
AMPS	3.57	3.35	2.96	2.58	2.2	1.94	1.72

TORQ(FL)#FT	8.97	TORQ(LR)%FL	218.44	TORQ(BD)%FL	385.05
AMPS(LR)	22.55	PF AT START	0.46		

This motor is capable of two cold or one hot start with a maximum connected load inertia of 290 Lb-Ft Sq (12.21 Kg-meter Sq)at 100% voltage, where the load torque varies with the square of the speed. Acceleration time with maximum inertia and the above load type is 53 seconds. Safe stall time at 100% voltage is 117 seconds cold, 94 seconds hot. Rotor inertia is 0.41 Lb-Ft Sq (0.02 Kg-meter Sq).

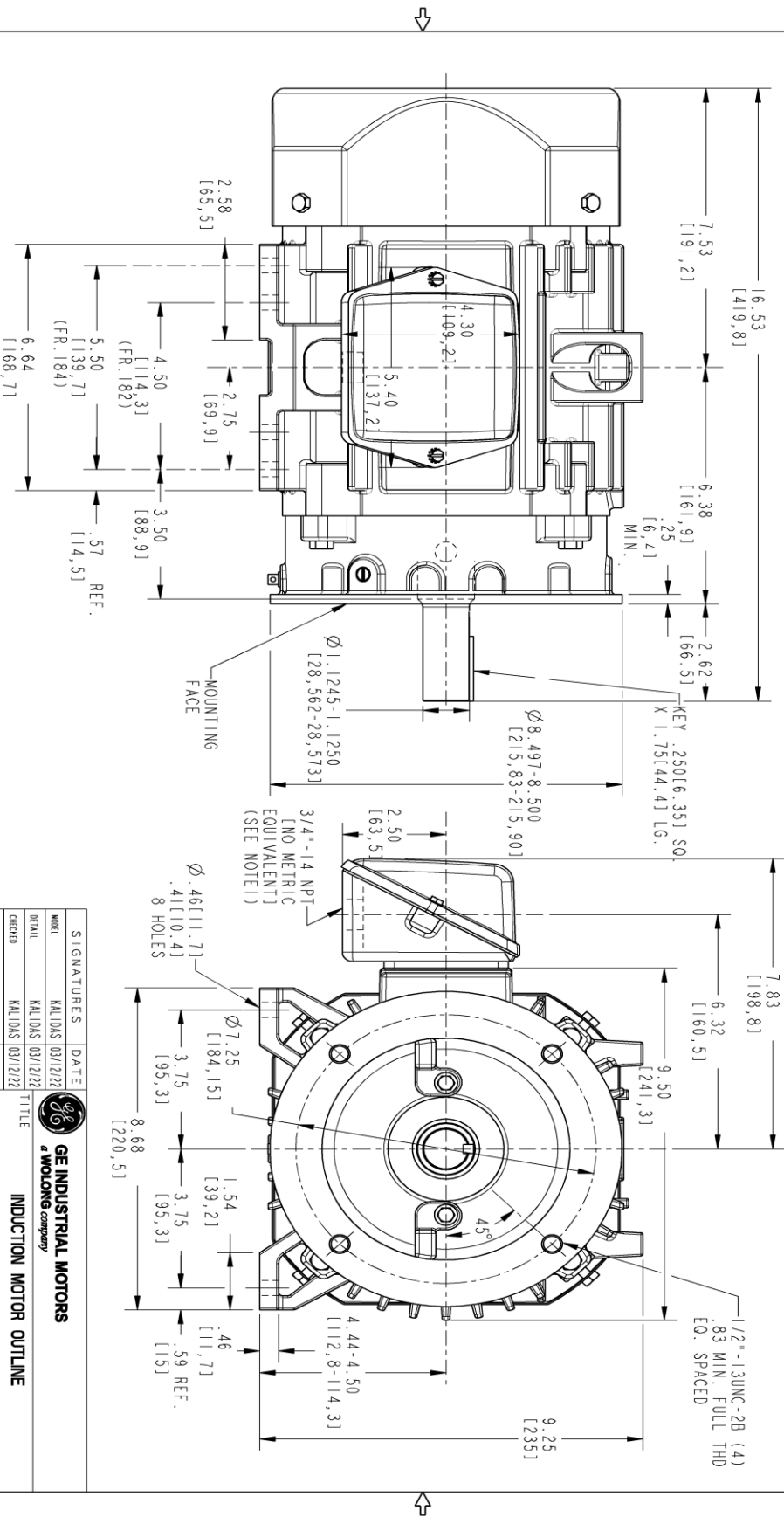
Open Circuit A-C:	0.158	Short Circuit D-C:	0.008
Short Circuit A-C:	0.01	X/R Ratio:	3.192
Stator Slots:	36	Rotor Slots:	48

Speed Torque Current Curve (First Connection, First Speed)



Marks:

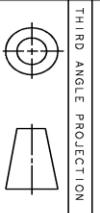
NOTE 1: CONDUIT BOX MAY BE ASSEMBLED WITH ENTRANCE UP, DOWN OR TO EITHER SIDE.
 NOTE 2: F1 ASSEMBLY AS SHOWN.
 NOTE 3: MOUNTING SURFACES WILL BE SQUARE AND CONCENTRIC WITH SHAFT WITHIN .004 T.I.R.
 NOTE 4: SHAFT RUNOUT WILL NOT EXCEED .002 T.I.R.
 NOTE 5: ALL DIMENSIONS ARE IN INCHES. BRACKETED DIMENSIONS ARE IN METRIC [MILLIMETERS].



PROPRIETARY INFORMATION
 © COPYRIGHT 2018 Wolog Electric America LLC AND/OR ITS AFFILIATES
 All rights reserved. This document and the information it contains is the property of Wolog Electric America LLC and/or its affiliates. It has been provided solely for transmission to the recipient for the specific purpose stated. Any other use, reproduction, or distribution of this document and/or any of its contents without the express written permission of Wolog Electric America LLC is strictly prohibited except as expressly authorized in writing by Wolog Electric America LLC.

REV.	DESCRIPTION	DATE	APPROVED

SIZE DRAWING NO.	B
REV	000
SHEET	1
REV	
DESCRIPTION	
DATE	
APPROVED	



SIGNATURES	DATE	<p>GE INDUSTRIAL MOTORS a Wolog company</p> <p>INDUCTION MOTOR OUTLINE GP CONSTRUCTION</p> <p>FRBOTC TFC GP ULTRA "C" FACE1850" RABBIT, 30 CU. IN</p>
MODEL	KALIDAS 03/12/22	
DETAIL	KALIDAS 03/12/22	
CREATED	KALIDAS 03/12/22	
ENGR	KALIDAS 03/12/22	
QUALITY		
ISSUED	KALIDAS 03/12/22	SIZE DRAWING
SOLID MODEL	4002B5818GBP5202	SCALE: 0.400
		REF. No.: 4002B5818BP5201
		SHEET 1 of 1

Marks:

Connection Diagram
GEM2034E-FIG3



End shield Assembly		
Part Description	DE Side Part#	ODE Side Part#
End Shield	4004D5286PA1	4004D5281SB1
Bearing	235A2601AA02	235A2602AA02
Slinger/Inproseal		

Fan & Fan Cover Assembly	
Part Description	Part#
Fan	4001A5914AM-G01
Fan Cover	4003C5807PA1

Conduit & Accessories Box Assembly	
Part Description	Part#
Conduit Box	4002B5718PX-G01

Mechanical Accessories	
Part Description	Part#
Brake	
Tachometer	

