



GE INDUSTRIAL MOTORS
a **WOLONG** company

Product Technical Information

October 11, 2022

Data shown is for the current revision model #. Ensure your nameplate model # matches.

Model Number:	5KS184BAA200
Catalog Number:	M1061
Instruction Manual:	GEI-56128
Connection Diagram:	GEM2034E-FIG3
Outline Drawing:	4002B5818GBP5202

Accessory Connection Diagrams

Bearing Thermocouple:	None	Heater:	None
RTD:	None	Thermistor:	None
Thermostat:	None	Winding Thermocouple:	None
Bearing RTD:	None		

Table of Contents

Specification	01
Performance Characteristics	02
Outline Drawing	03
Connection Drawing(s)	04
Spare parts	05

Marks:

MODEL NUMBER:	5KS184BAA200
Outline Drawing:	4002B5818GBP5202
Connection Diagram:	GEM2034E-FIG3
Instruction Book:	GEI-56128
Design Code:	18BD1247A
Type:	KS
Frame:	184TC
Phases:	3
Poles:	4
Output Power:	5HP 3.7KW
RPM:	1755
Voltage:	230/460
Hertz:	60
Amps - FL:	13.4/6.7
Service Factor:	1.15
Alt Service Factor:	--

Estimated Weight:	101 Lbs
Time Rating:	CONT
Enclosure:	TEFC
Encl Construction:	GP
Ambient Max(°C):	40
Alt Ambient Max(°C):	--
Insulation Class:	F
NEMA Design:	B
Nominal Efficiency:	89.5 %
Guaranteed Efficiency:	87.5 %
3/4 Load Efficiency:	--
KVA Code:	J
Max KVAR:	2.1
Power Factor:	78.5
Bearing - DE:	6307-2ZC3
Bearing - ODE:	6206-2ZC3

Enclosure is Totally Enclosed Fan-Cooled

Stamped Nameplate Notes:

VT 0-60 HZ NEMA MG1-31; 208V-13.3A



Additional Information:

4P - TC EXTN
STANDARD FLOOR MOUNT
C/BOX 30 CU IN-0.75 NPT
F1 CONDUIT BOX MOUNTING
"C" FACE AT DE ENDSHIELD AK=8 1/2"
INVERTER DUTY PER NEMA MG1 PART 31
ALTERNATE RATING FOR PWM CONTROL:1.0SF 40C AMBIENT
VAR TORQUE RANGE 0-60 HZ
SUITABLE FOR 208V-13.3 AMPS WITH 1.15 SF



Performance Characteristics

1st Winding 1st Connection

Design: 18BD1247A

Marks:

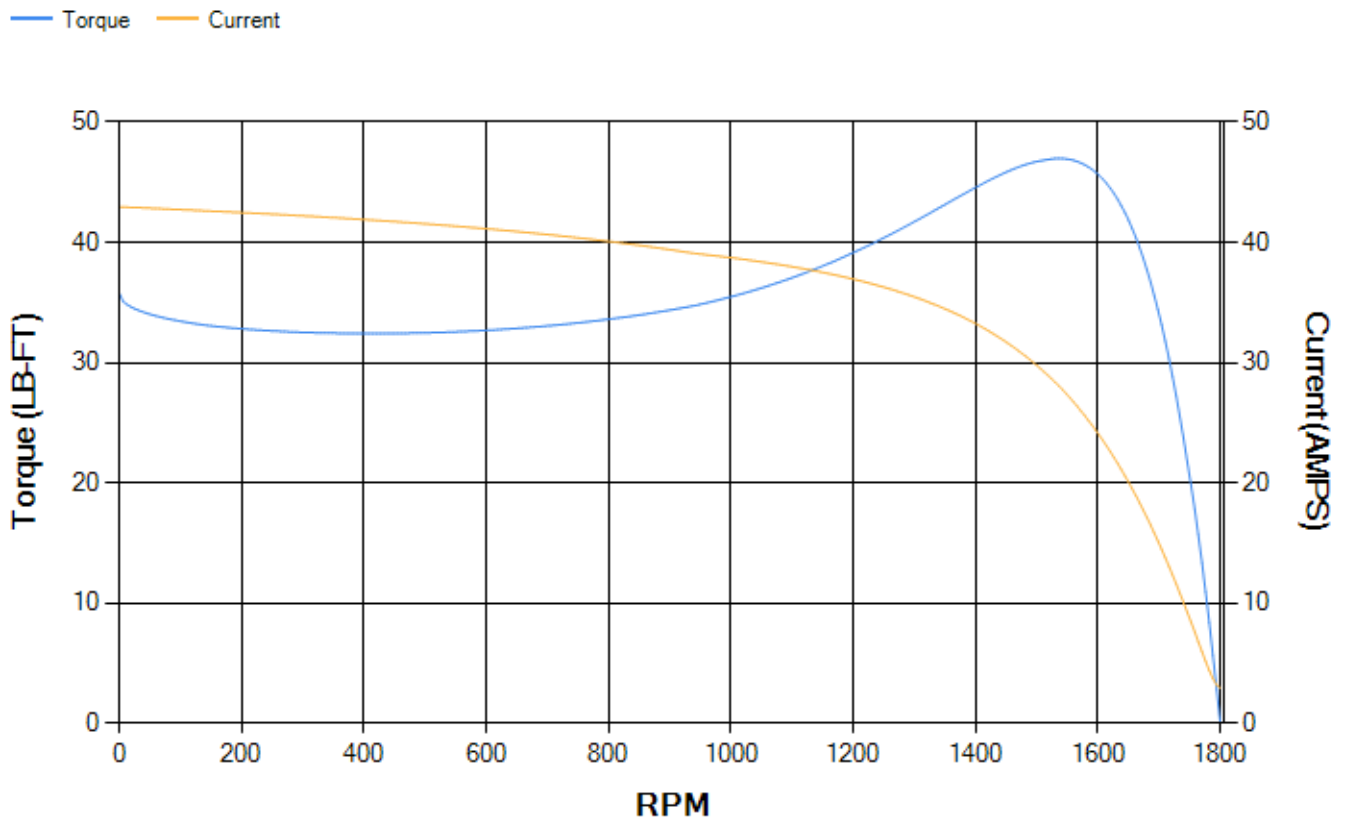
LOAD %	125.0	115.0	100.0	75.0	50.0	25.0	0.0
% EFF	88.41	89.01	89.94	90.43	89.92	85.48	0.00
% PF	80.89	80.12	79.74	72.64	61.3	39.72	5.7
AMPS	8.18	7.55	6.53	5.34	4.25	3.45	2.93

TORQ(FL)#FT	14.95	TORQ(LR)%FL	239.03	TORQ(BD)%FL	311.31
AMPS(LR)	42.95	PF AT START	0.51		

This motor is capable of two cold or one hot start with a maximum connected load inertia of 185 Lb-Ft Sq (7.79 Kg-meter Sq)at 100% voltage, where the load torque varies with the square of the speed. Acceleration time with maximum inertia and the above load type is 34 seconds. Safe stall time at 100% voltage is 76 seconds cold, 49 seconds hot. Rotor inertia is 0.34 Lb-Ft Sq (0.01 Kg-meter Sq).

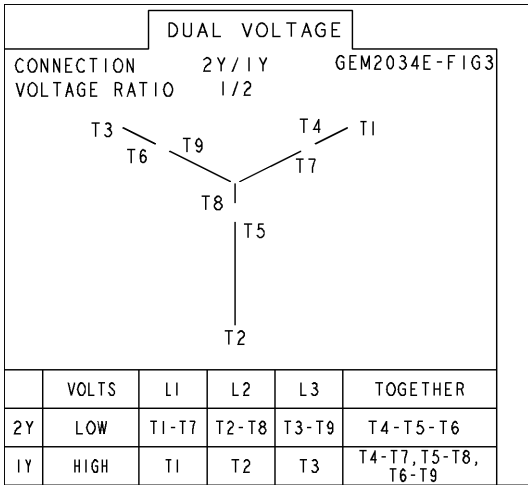
Open Circuit A-C:	0.231	Short Circuit D-C:	0.008
Short Circuit A-C:	0.012	X/R Ratio:	3.155
Stator Slots:	36	Rotor Slots:	28

Speed Torque Current Curve (First Connection, First Speed)



Marks:

Connection Diagram
GEM2034E-FIG3



End shield Assembly		
Part Description	DE Side Part#	ODE Side Part#
End Shield	4004D5286PA1	4004D5281SB1
Bearing	235A2601AA02	235A2602AA02
Slinger/Inproseal		

Fan & Fan Cover Assembly	
Part Description	Part#
Fan	4001A5914AM-G01
Fan Cover	4003C5807PA1

Conduit & Accessories Box Assembly	
Part Description	Part#
Conduit Box	4002B5718PX-G01

Mechanical Accessories	
Part Description	Part#
Brake	
Tachometer	

