



GE INDUSTRIAL MOTORS
a **WOLONG** company

Product Technical Information

October 11, 2022

Data shown is for the current revision model #. Ensure your nameplate model # matches.

Model Number:	5KS215BAA100
Catalog Number:	M1066
Instruction Manual:	GEI-56128
Connection Diagram:	GEM2034E-FIG3
Outline Drawing:	4002B5821GBP5201

Accessory Connection Diagrams

Bearing Thermocouple:	None	Heater:	None
RTD:	None	Thermistor:	None
Thermostat:	None	Winding Thermocouple:	None
Bearing RTD:	None		

Table of Contents

Specification	01
Performance Characteristics	02
Outline Drawing	03
Connection Drawing(s)	04
Spare parts	05

Marks:

MODEL NUMBER: 5KS215BAA100
Outline Drawing: 4002B5821GBP5201
Connection Diagram: GEM2034E-FIG3
Instruction Book: GEI-56128
Design Code: 21BD0226A
Type: KS
Frame: 215TC
Phases: 3
Poles: 2
Output Power: 10HP 7.4KW
RPM: 3530
Voltage: 230/460
Hertz: 60
Amps - FL: 23.2/11.6
Service Factor: 1.15
Alt Service Factor: --

Estimated Weight: 220 Lbs
Time Rating: CONT
Enclosure: TEFC
Encl Construction: GP
Ambient Max(°C): 40
Alt Ambient Max(°C): --
Insulation Class: F
NEMA Design: B
Nominal Efficiency: 90.2 %
Guaranteed Efficiency: 88.5 %
3/4 Load Efficiency: --
KVA Code: H
Max KVAR: 2.3
Power Factor: 89.5
Bearing - DE: 6309-2ZC3
Bearing - ODE: 6208-2ZC3

Enclosure is Totally Enclosed Fan-Cooled

Stamped Nameplate Notes:

VT 0-60 HZ NEMA MG1-31; 208V-23.2A



Additional Information:

2P - TC EXTN
STANDARD FLOOR MOUNT
C/BOX 55 CU IN-1.00 NPT
F1 CONDUIT BOX MOUNTING
"C" FACE AT DE ENDSHIELD AK=8 1/2"
INVERTER DUTY PER NEMA MG1 PART 31
ALTERNATE RATING FOR PWM CONTROL:1.0SF 40C AMBIENT
VAR TORQUE RANGE 0-60 HZ
SUITABLE FOR 208V-23.2 AMPS WITH 1.15 SF



Performance Characteristics

1st Winding 1st Connection

Design: 21BD0226A

Marks:

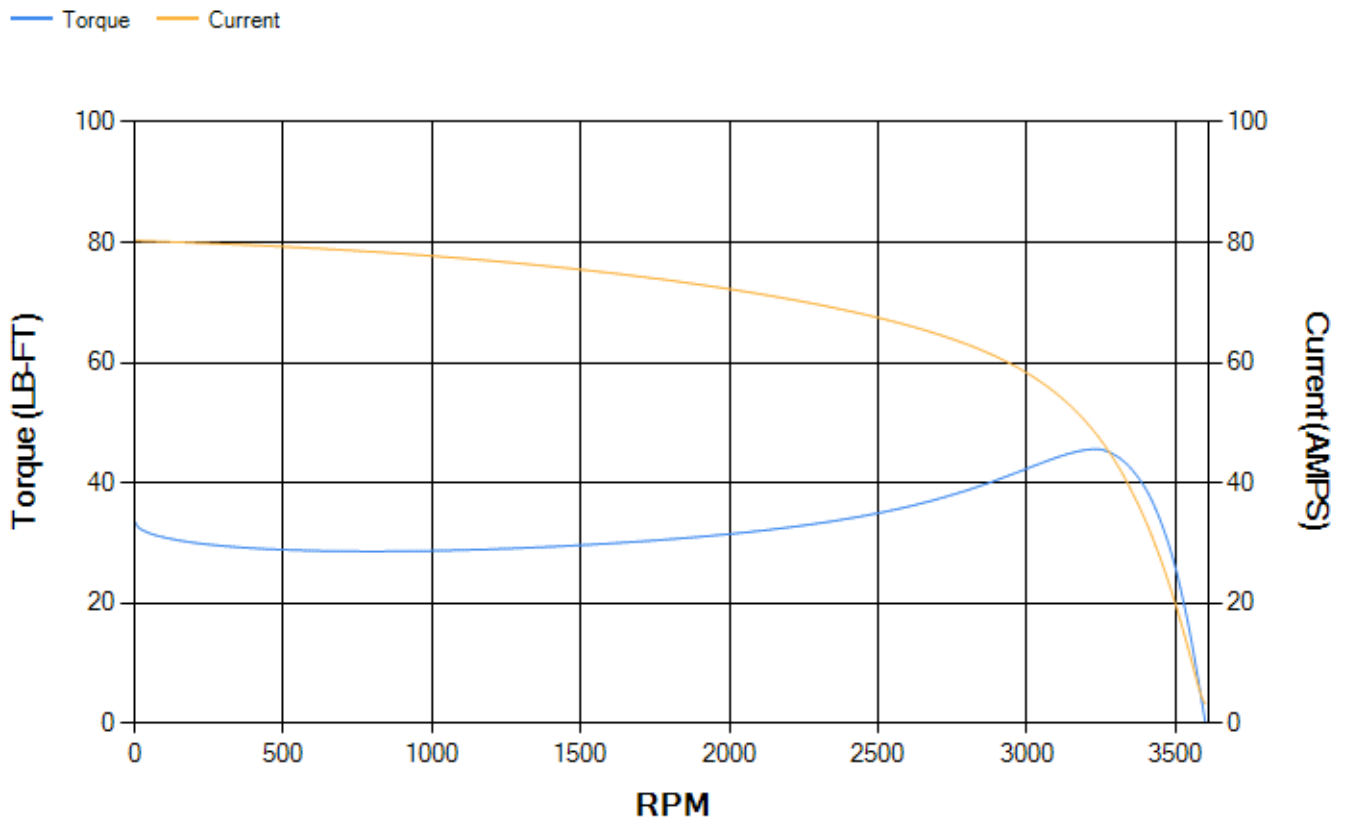
LOAD %	125.0	115.0	100.0	75.0	50.0	25.0	0.0
% EFF	89.41	89.96	90.85	91.36	91.03	87.27	0.00
% PF	90.27	90.19	89.71	87.47	81.2	62.4	8.91
AMPS	14.5	13.27	11.47	8.78	6.33	4.3	3.2

TORQ(FL)#FT	14.87	TORQ(LR)%FL	225.98	TORQ(BD)%FL	304.23
AMPS(LR)	80.29	PF AT START	0.37		

This motor is capable of two cold or one hot start with a maximum connected load inertia of 84 Lb-Ft Sq (3.54 Kg-meter Sq)at 100% voltage, where the load torque varies with the square of the speed. Acceleration time with maximum inertia and the above load type is 35 seconds. Safe stall time at 100% voltage is 64 seconds cold, 42 seconds hot. Rotor inertia is 0.42 Lb-Ft Sq (0.02 Kg-meter Sq).

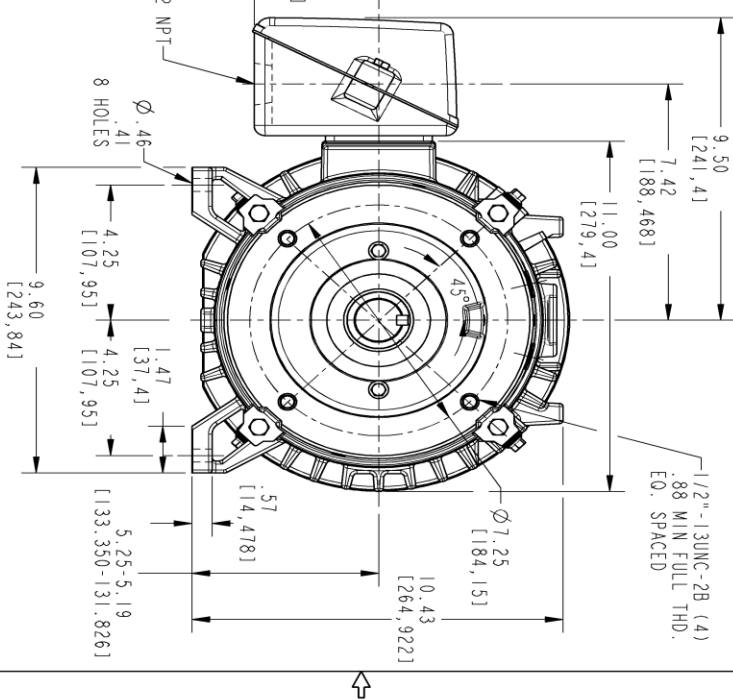
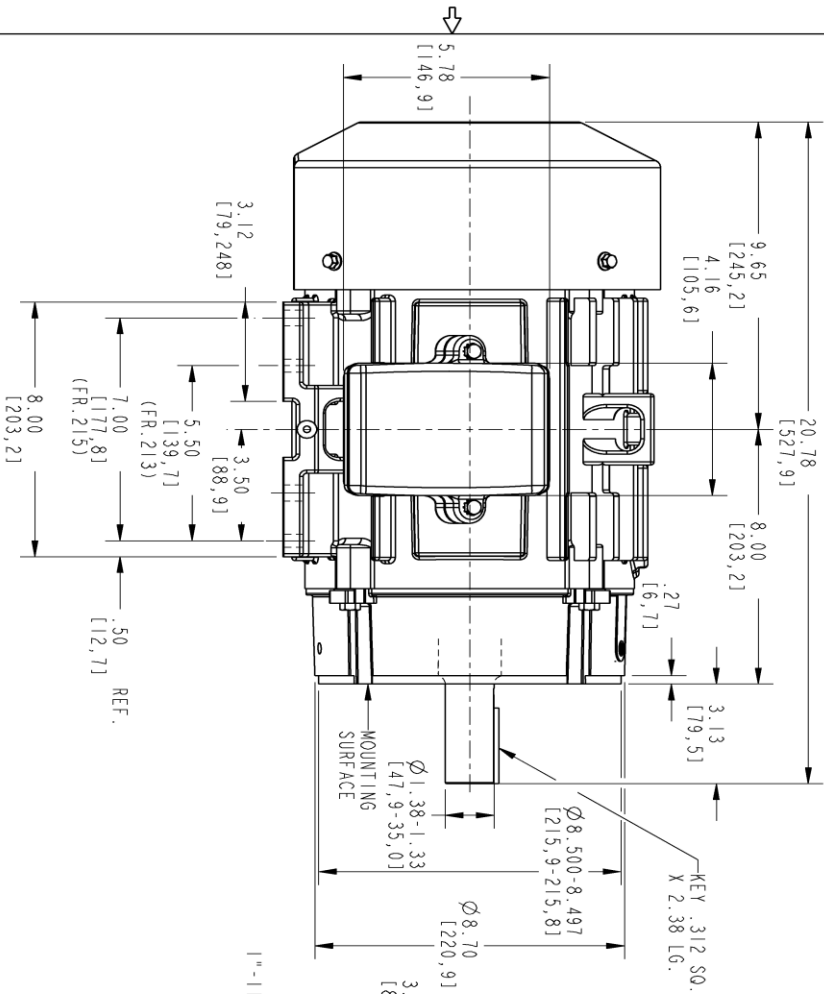
Open Circuit A-C:	0.494	Short Circuit D-C:	0.01
Short Circuit A-C:	0.017	X/R Ratio:	3.763
Stator Slots:	36	Rotor Slots:	26

Speed Torque Current Curve (First Connection, First Speed)



Marks:

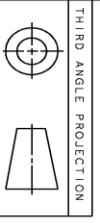
NOTE 1: CONDUIT BOX MAY BE ASSEMBLED WITH ENTRANCE UP, DOWN OR TO EITHER SIDE.
 NOTE 2: F1 ASSEMBLY AS SHOWN.
 NOTE 3: MOUNTING SURFACES WILL BE SQUARE AND CONCENTRIC WITH SHAFT WITHIN .004 T.I.R.
 NOTE 4: SHAFT RUNOUT NOT TO EXCEED .002 T.I.R.
 NOTE 5: ALL DIMENSIONS ARE IN INCHES.



PROPRIETARY INFORMATION
 © COPYRIGHT 2018 Wolog Electric America LLC AND/OR ITS AFFILIATES
 All rights reserved. This document and the information it contains is the property of Wolog Electric America LLC and/or its affiliates. It has been provided solely for the use of the customer for whom it was prepared. No other use, reproduction, transmission, distribution, or disclosure of this information, in any form or by any means, is strictly prohibited except as expressly authorized in writing by Wolog Electric America LLC.

REV.	DESCRIPTION	DATE	APPROVED

REV	SHEET	REV	DESCRIPTION
B	1	000	INDUCTION MOTOR OUTLINE



SIGNATURES	DATE	TITLE
UTAKASHA [09/24/21]		INDUCTION MOTOR OUTLINE
DHEEMAJ B [09/24/21]		GP CONSTRUCTION
DHEEMAJ B [09/24/21]		
ENG		
QUALITY		
ISSUED	UTAKASHA [09/24/21]	FR20TC TERC GP ULTRA 'C' FACE (850' RABEEL), 5S CUM CBOX
SOLID MODEL: 4002B5821GBP5201	B	SIZE DRAWING
SCALE: 0.300	REF. No.: 4002B5821GBP5201	4002B5821GBP5201



INDUCTION MOTOR OUTLINE

GP CONSTRUCTION

FR20TC TERC GP ULTRA 'C' FACE (850' RABEEL), 5S CUM CBOX

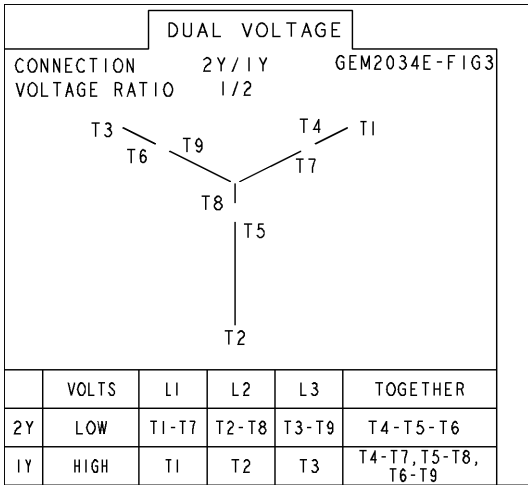
4002B5821GBP5201

REV 000

SHEET 1 of 1

Marks:

Connection Diagram
GEM2034E-FIG3



End shield Assembly		
Part Description	DE Side Part#	ODE Side Part#
End Shield	128D6006YB1	4004D5282SB1
Bearing	235A2607AA02	235A2603AA02
Slinger/Inproseal	149C4399G02	

Fan & Fan Cover Assembly	
Part Description	Part#
Fan	159C6704G01
Fan Cover	4003C5806PA1

Conduit & Accessories Box Assembly	
Part Description	Part#
Conduit Box	4002B5721PT-G01

Mechanical Accessories	
Part Description	Part#
Brake	
Tachometer	

