



GE INDUSTRIAL MOTORS
a **WOLONG** company

Product Technical Information

October 11, 2022

Data shown is for the current revision model #. Ensure your nameplate model # matches.

Model Number:	5KS215BAA200
Catalog Number:	M1067
Instruction Manual:	GEI-56128
Connection Diagram:	GEM2034E-FIG9
Outline Drawing:	4002B5821GBP5201

Accessory Connection Diagrams

Bearing Thermocouple:	None	Heater:	None
RTD:	None	Thermistor:	None
Thermostat:	None	Winding Thermocouple:	None
Bearing RTD:	None		

Table of Contents

Specification	01
Performance Characteristics	02
Outline Drawing	03
Connection Drawing(s)	04
Spare parts	05

Marks:

MODEL NUMBER:	5KS215BAA200	Estimated Weight:	220 Lbs
Outline Drawing:	4002B5821GBP5201	Time Rating:	CONT
Connection Diagram:	GEM2034E-FIG9	Enclosure:	TEFC
Instruction Book:	GEI-56128	Encl Construction:	GP
Design Code:	21BD1134A	Ambient Max(°C):	40
Type:	KS	Alt Ambient Max(°C):	--
Frame:	215TC	Insulation Class:	F
Phases:	3	NEMA Design:	B
Poles:	4	Nominal Efficiency:	91.7 %
Output Power:	10HP 7.4KW	Guaranteed Efficiency:	90.2 %
RPM:	1765	3/4 Load Efficiency:	--
Voltage:	230/460	KVA Code:	H
Hertz:	60	Max KVAR:	3.0
Amps - FL:	24.4/12.2	Power Factor:	83.5
Service Factor:	1.15	Bearing - DE:	6309-2ZC3
Alt Service Factor:	--	Bearing - ODE:	6208-2ZC3

Enclosure is Totally Enclosed Fan-Cooled

Stamped Nameplate Notes:

VT 0-60 HZ NEMA MG1-31; 208V-24.4A



Additional Information:

4P - TC EXTN
STANDARD FLOOR MOUNT
C/BOX 55 CU IN-1.00 NPT
F1 CONDUIT BOX MOUNTING
"C" FACE AT DE ENDSHIELD AK=8 1/2"
INVERTER DUTY PER NEMA MG1 PART 31
ALTERNATE RATING FOR PWM CONTROL:1.0SF 40C AMBIENT
VAR TORQUE RANGE 0-60 HZ
SUITABLE FOR 208V-24.4 AMPS WITH 1.15 SF



Performance Characteristics

1st Winding 1st Connection

Design: 21BD1134A

Marks:

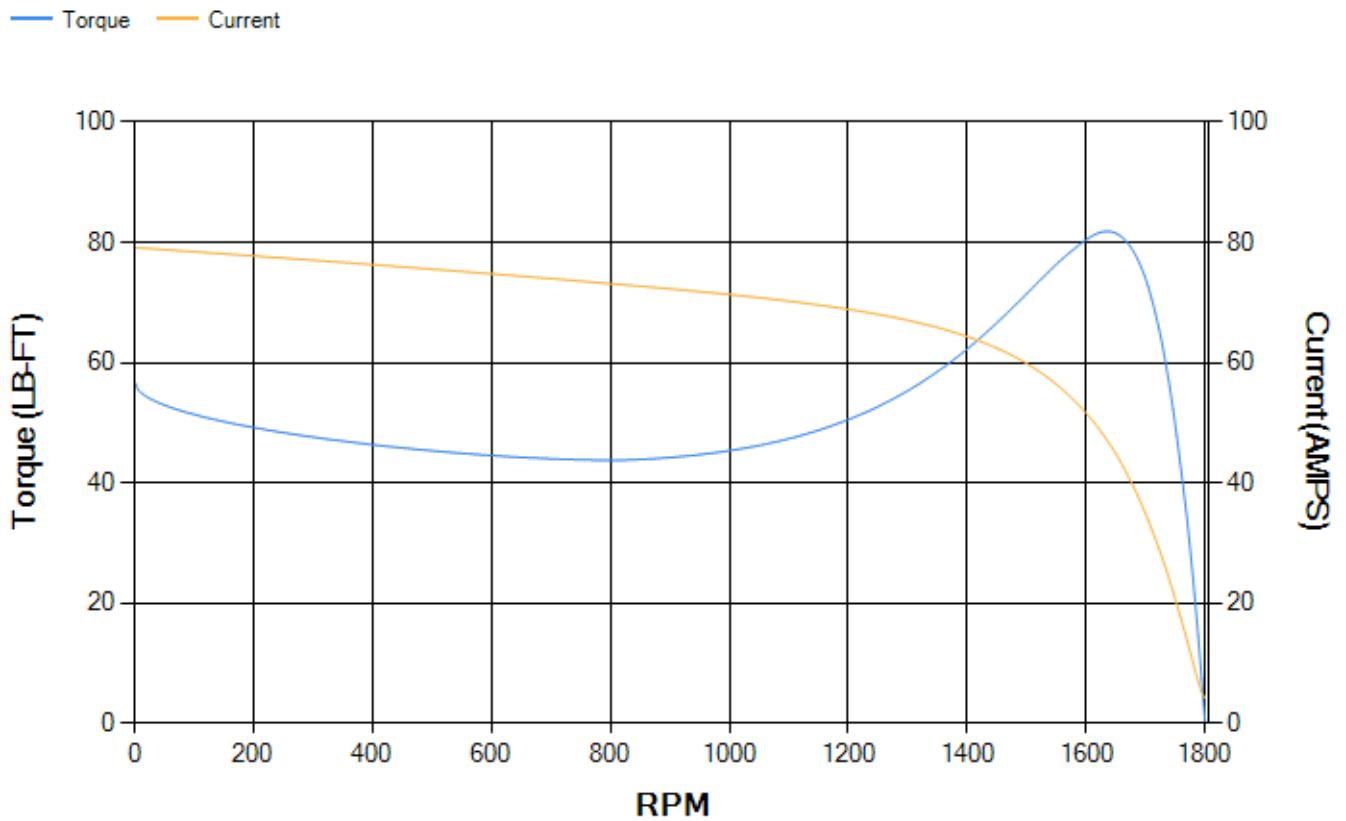
LOAD %	125.0	115.0	100.0	75.0	50.0	25.0	0.0
% EFF	90.28	90.86	91.78	92.33	92.14	88.91	0.00
% PF	84.3	84.26	83.65	80.56	72.36	51.45	5.88
AMPS	15.37	14.06	12.19	9.44	7.02	5.11	4.18

TORQ(FL)#FT	29.72	TORQ(LR)%FL	190.92	TORQ(BD)%FL	273.59
AMPS(LR)	79.12	PF AT START	0.4		

This motor is capable of two cold or one hot start with a maximum connected load inertia of 338 Lb-Ft Sq (14.23 Kg-meter Sq)at 100% voltage, where the load torque varies with the square of the speed. Acceleration time with maximum inertia and the above load type is 46 seconds. Safe stall time at 100% voltage is 102 seconds cold, 68 seconds hot. Rotor inertia is 1.12 Lb-Ft Sq (0.05 Kg-meter Sq).

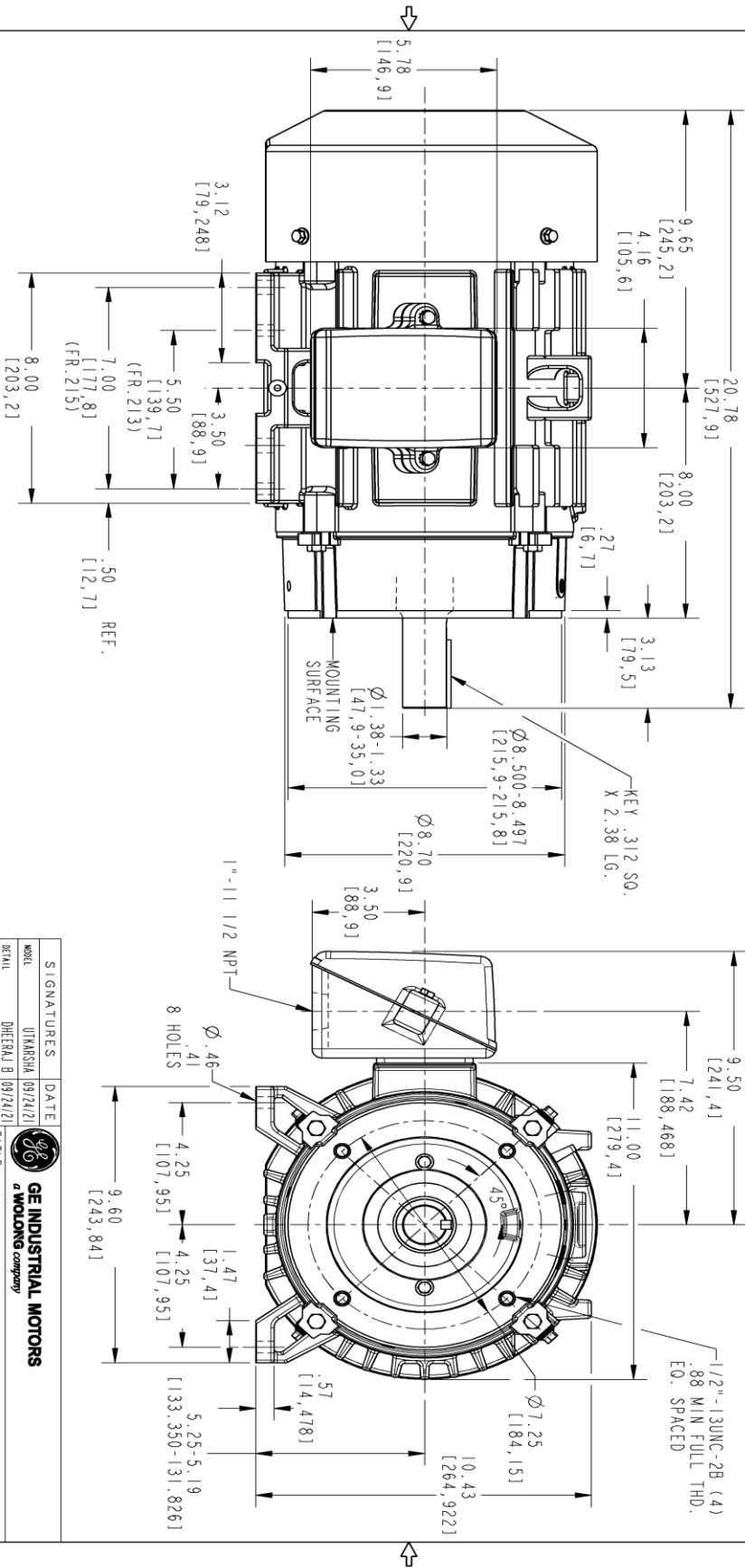
Open Circuit A-C:	0.421	Short Circuit D-C:	0.013
Short Circuit A-C:	0.02	X/R Ratio:	4.867
Stator Slots:	36	Rotor Slots:	28

Speed Torque Current Curve (First Connection, First Speed)



Marks:

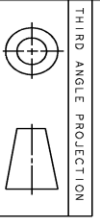
- NOTE 1: CONDUIT BOX MAY BE ASSEMBLED WITH ENTRANCE UP, DOWN OR TO EITHER SIDE.
- NOTE 2: F1 ASSEMBLY AS SHOWN.
- NOTE 3: MOUNTING SURFACES WILL BE SQUARE AND CONCENTRIC WITH SHAFT WITHIN .004 T.I.R.
- NOTE 4: SHAFT RUNOUT NOT TO EXCEED .002 T.I.R.
- NOTE 5: ALL DIMENSIONS ARE IN INCHES.



PROPRIETARY INFORMATION
 © COPYRIGHT 2018 Wolog Electric America LLC AND/OR ITS AFFILIATES.
 All rights reserved. This document and the information it contains is the property of the Wolog Electric America LLC and/or its affiliates. It has been provided solely for the use of the customer for whom it was prepared. No other use, reproduction, transmission, distribution, or disclosure of this information, in any form or by any means, is strictly prohibited except as expressly authorized in writing by the Wolog Electric America LLC.

REV.	DESCRIPTION	DATE	APPROVED

SIZE: DRAWING NO.	B	4002B5821GBP5201	REV	000	SHEET	1
REVISIONS						



THIRD ANGLE PROJECTION

SIGNATURES	DATE	 GE INDUSTRIAL MOTORS <i>a Wolog company</i>	INDUCTION MOTOR OUTLINE GP CONSTRUCTION
MODEL	UTAKASHA [09/24/21]		
DETAIL	DHEEMAJ B [09/24/21]		
ORDER	DHEEMAJ B [09/24/21]		
ENG	-		
QUALITY	UTAKASHA [09/24/21]	FR20TC TERC GP ULTRA "C" FACE (850° RABEEL), SS CUM. CBXX	
ISSUED	B	SIZE DRAWING	
SOLID MODEL	4002B5821GBP5201	SCALE: 0.300 REF. No.: 4002B5821BPB53201	
		SHEET 1 of 1	

Marks:

Connection Diagram
GEM2034E-FIG9



End shield Assembly

Part Description	DE Side Part#	ODE Side Part#
End Shield	128D6006YB1	4004D5282SB1
Bearing	235A2607AA02	235A2603AA02
Slinger/Inproseal	149C4399G02	

Fan & Fan Cover Assembly

Part Description	Part#
Fan	159C6700G01
Fan Cover	4003C5806PA1

Conduit & Accessories Box Assembly

Part Description	Part#
Conduit Box	4002B5721PT-G01

Mechanical Accessories

Part Description	Part#
Brake	
Tachometer	

