



GE INDUSTRIAL MOTORS
a **WOLONG** company

Product Technical Information

October 11, 2022

Data shown is for the current revision model #. Ensure your nameplate model # matches.

Model Number:	5KS256BAA300
Catalog Number:	M1068
Instruction Manual:	GEI-56128
Connection Diagram:	GEM2034E-FIG3
Outline Drawing:	4002B5825GBP5201

Accessory Connection Diagrams

Bearing Thermocouple:	None	Heater:	None
RTD:	None	Thermistor:	None
Thermostat:	None	Winding Thermocouple:	None
Bearing RTD:	None		

Table of Contents

Specification	01
Performance Characteristics	02
Outline Drawing	03
Connection Drawing(s)	04
Spare parts	05

Marks:

MODEL NUMBER:	5KS256BAA300	Estimated Weight:	350 Lbs
Outline Drawing:	4002B5825GBP5201	Time Rating:	CONT
Connection Diagram:	GEM2034E-FIG3	Enclosure:	TEFC
Instruction Book:	GEI-56128	Encl Construction:	GP
Design Code:	25BD3063A	Ambient Max(°C):	40
Type:	KS	Alt Ambient Max(°C):	--
Frame:	256TC	Insulation Class:	F
Phases:	3	NEMA Design:	B
Poles:	6	Nominal Efficiency:	91.0 %
Output Power:	10HP 7.4KW	Guaranteed Efficiency:	89.5 %
RPM:	1170	3/4 Load Efficiency:	--
Voltage:	230/460	KVA Code:	H
Hertz:	60	Max KVAR:	4.0
Amps - FL:	25.8/12.9	Power Factor:	79.5
Service Factor:	1.15	Bearing - DE:	6310-2ZC3
Alt Service Factor:	--	Bearing - ODE:	6309-2ZC3

Enclosure is Totally Enclosed Fan-Cooled

Stamped Nameplate Notes:

VT 0-60 HZ NEMA MG1-31; 208V-27.7A



Additional Information:

6P - TC EXTN
STANDARD FLOOR MOUNT
C/BOX 137 CU IN-1.25 NPT
F1 CONDUIT BOX MOUNTING
"C" FACE AT DE ENDSHIELD AK=8 1/2
INVERTER DUTY PER NEMA MG1 PART 31
ALTERNATE RATING FOR PWM CONTROL:1.0SF 40C AMBIENT
VAR TORQUE RANGE 0-60 HZ
SUITABLE FOR 208V -27.7 AMPS WITH 1.15 SF



Performance Characteristics

1st Winding 1st Connection

Design: 25BD3063A

Marks:

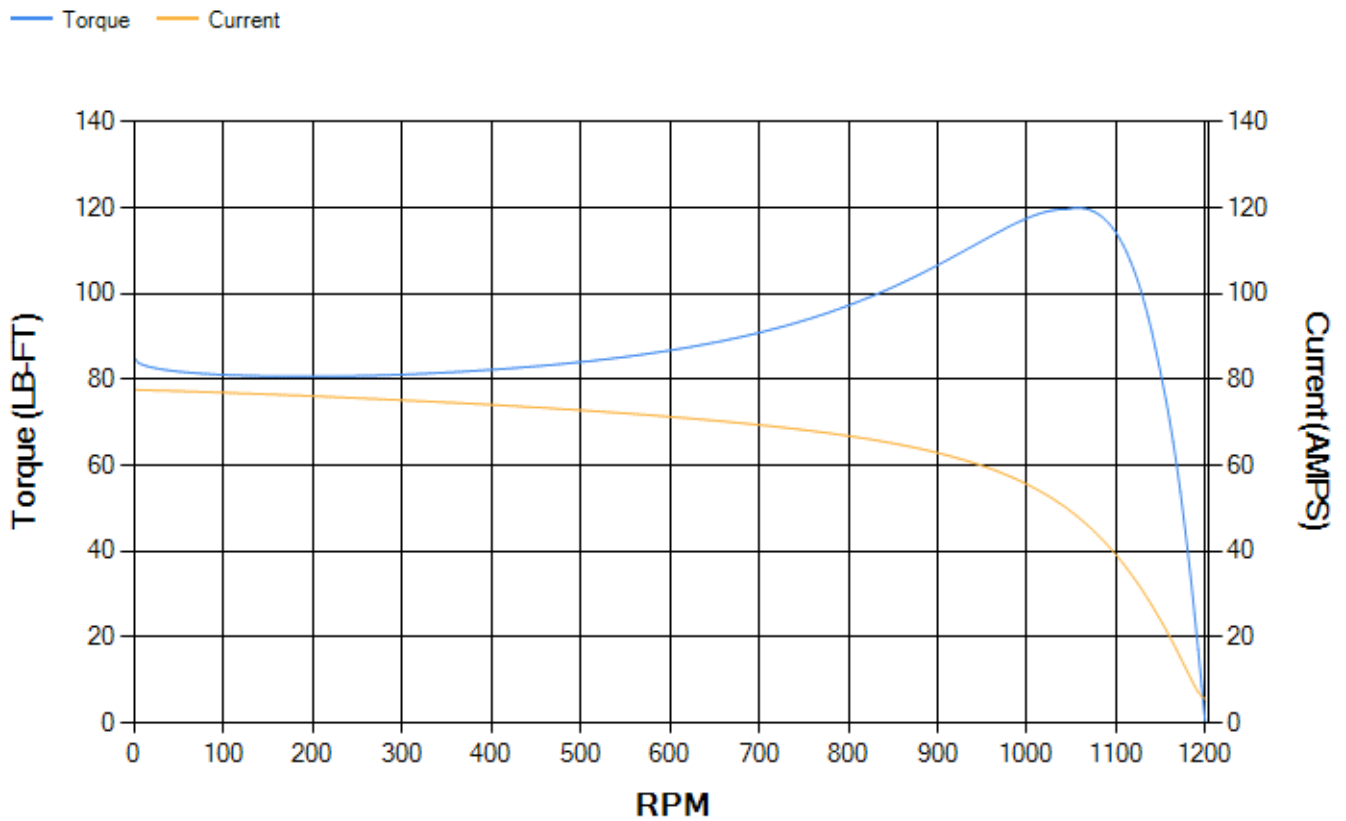
LOAD %	125.0	115.0	100.0	75.0	50.0	25.0	0.0
% EFF	89.75	90.3	91.18	91.66	91.33	87.63	0.00
% PF	81.94	81.26	79.61	74.36	63.45	41.57	4.86
AMPS	15.91	14.67	12.89	10.3	8.08	6.42	5.65

TORQ(FL)#FT	44.79	TORQ(LR)%FL	189.85	TORQ(BD)%FL	265.88
AMPS(LR)	77.66	PF AT START	0.4		

This motor is capable of two cold or one hot start with a maximum connected load inertia of 1008 Lb-Ft Sq (42.44 Kg-meter Sq)at 100% voltage, where the load torque varies with the square of the speed. Acceleration time with maximum inertia and the above load type is 51 seconds. Safe stall time at 100% voltage is 112 seconds cold, 76 seconds hot. Rotor inertia is 1.99 Lb-Ft Sq (0.08 Kg-meter Sq).

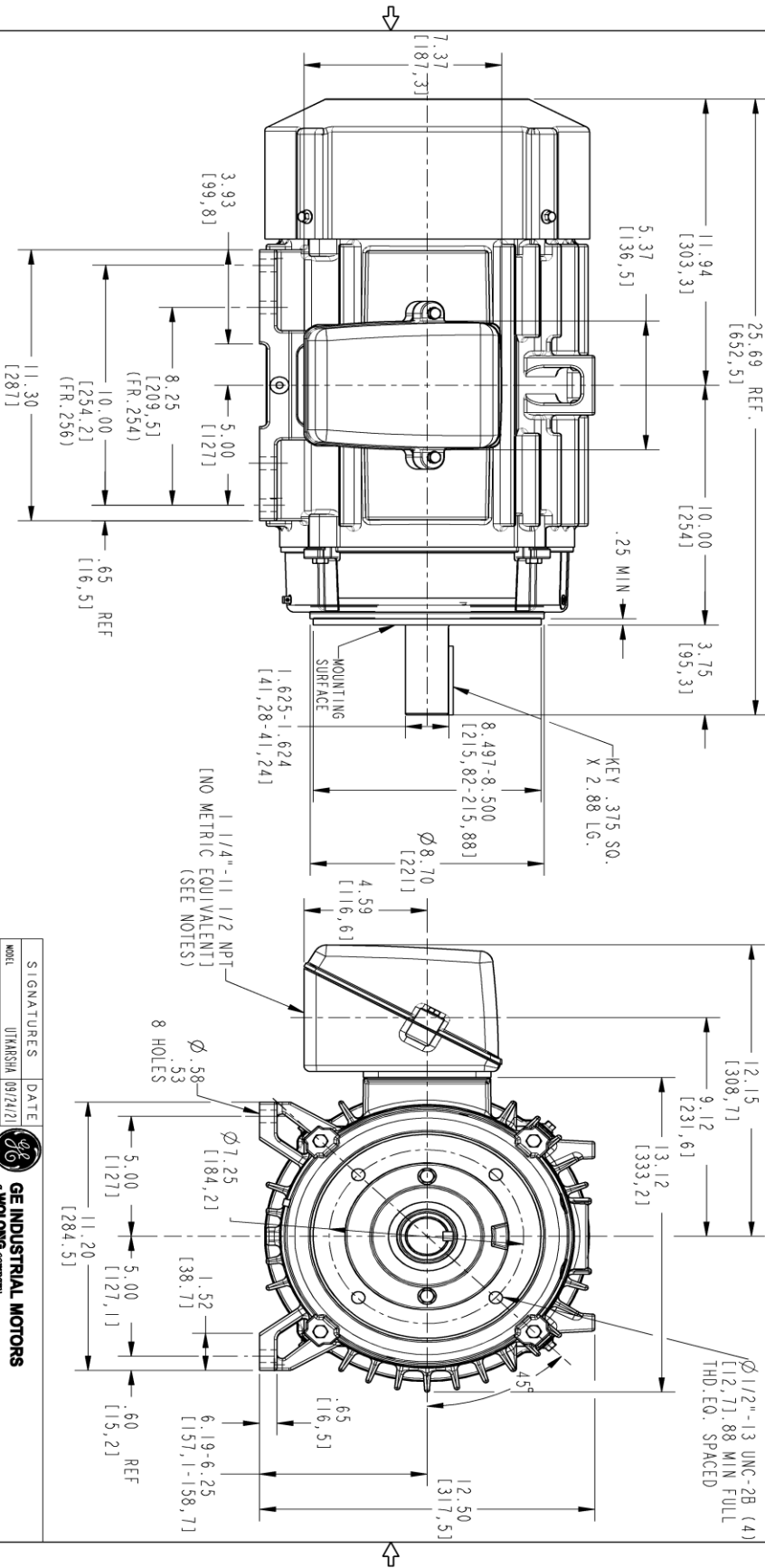
Open Circuit A-C:	0.25	Short Circuit D-C:	0.012
Short Circuit A-C:	0.016	X/R Ratio:	4.347
Stator Slots:	54	Rotor Slots:	42

Speed Torque Current Curve (First Connection, First Speed)



Marks:

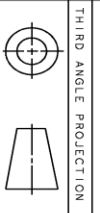
- NOTE 1: CONDUIT BOX MAY BE ASSEMBLED WITH ENTRANCE UP, DOWN OR TO EITHER SIDE.
- NOTE 2: FL ASSEMBLY AS SHOWN.
- NOTE 3: MOUNTING SURFACES WILL BE SQUARE AND CONCENTRIC WITH SHAFT WITHIN .004 T.I.R.
- NOTE 4: SHAFT RUNOUT WILL NOT EXCEED .002 T.I.R.
- NOTE 5: ALL DIMENSIONS ARE INCHES. BRACKETED DIMENSIONS ARE IN METRIC (MILLIMETERS).



PROPRIETARY INFORMATION
 © COPYRIGHT 2018 Wolog Electric America LLC AND/OR ITS AFFILIATES. All rights reserved. This document and the information it contains is the property of Wolog Electric America LLC and/or its affiliates. It has been provided solely for the use of the customer for whom it was prepared. No other use, reproduction, transmission, distribution, or disclosure of any of its contents, in any form or by any means, is strictly prohibited except as expressly authorized in writing by Wolog Electric America LLC.

REV.	DESCRIPTION	DATE	APPROVED

SIZE	DRAWING NO.	REV	SHEET
B	4002B58256BP5201	000	1



SIGNATURES	DATE
UTKASNA [09/24/21]	
DHEEMAJ B [09/24/21]	
DHEEMAJ B [09/24/21]	
ENG	
CHK	
ISSUED	
SOLID MODEL: 4002B58256BP5201	

TITLE
INDUCTION MOTOR OUTLINE
GP CONSTRUCTION

SCALE:	REF. No.:
0.250	4002B58256BP5201



250TC TERC GP ULTRA C-FACE1850RABBE1137 CULN CB0X
 SIZE DRAWING
4002B58256BP5201
 REV 000
 SHEET 1 of 1

Marks:

Connection Diagram
GEM2034E-FIG3



End shield Assembly		
Part Description	DE Side Part#	ODE Side Part#
End Shield	128D6106PZ1	4004D5283SB1
Bearing	235A2608AA02	235A2607AA02
Slinger/Inproseal	149C4399G03	

Fan & Fan Cover Assembly	
Part Description	Part#
Fan	159C6800G01
Fan Cover	4003C5805PA1

Conduit & Accessories Box Assembly	
Part Description	Part#
Conduit Box	4002B5728SH-G04

Mechanical Accessories	
Part Description	Part#
Brake	
Tachometer	

