



**GE INDUSTRIAL MOTORS**  
a **WOLONG** company

# Product Technical Information

October 11, 2022

Data shown is for the current revision model #. Ensure your nameplate model # matches.

<b>Model Number:</b>	<b>5KS254BAA100</b>
<b>Catalog Number:</b>	<b>M1069</b>
<b>Instruction Manual:</b>	GEI-56128
<b>Connection Diagram:</b>	GEM2034E-FIG3
<b>Outline Drawing:</b>	4002B5825GBP5201

## Accessory Connection Diagrams

<b>Bearing Thermocouple:</b>	None	<b>Heater:</b>	None
<b>RTD:</b>	None	<b>Thermistor:</b>	None
<b>Thermostat:</b>	None	<b>Winding Thermocouple:</b>	None
<b>Bearing RTD:</b>	None		

## Table of Contents

Specification	01
Performance Characteristics	02
Outline Drawing	03
Connection Drawing(s)	04
Spare parts	05

Marks:

<b>MODEL NUMBER:</b>	<b>5KS254BAA100</b>	<b>Estimated Weight:</b>	315 Lbs
<b>Outline Drawing:</b>	4002B5825GBP5201	<b>Time Rating:</b>	CONT
<b>Connection Diagram:</b>	GEM2034E-FIG3	<b>Enclosure:</b>	TEFC
<b>Instruction Book:</b>	GEI-56128	<b>Encl Construction:</b>	GP
<b>Design Code:</b>	25BD0090A	<b>Ambient Max(°C):</b>	40
<b>Type:</b>	KS	<b>Alt Ambient Max(°C):</b>	--
<b>Frame:</b>	254TC	<b>Insulation Class:</b>	F
<b>Phases:</b>	3	<b>NEMA Design:</b>	B
<b>Poles:</b>	2	<b>Nominal Efficiency:</b>	91.0 %
<b>Output Power:</b>	15HP 11.1KW	<b>Guaranteed Efficiency:</b>	89.5 %
<b>RPM:</b>	3550	<b>3/4 Load Efficiency:</b>	--
<b>Voltage:</b>	230/460	<b>KVA Code:</b>	G
<b>Hertz:</b>	60	<b>Max KVAR:</b>	2.9
<b>Amps - FL:</b>	34.6/17.3	<b>Power Factor:</b>	89.0
<b>Service Factor:</b>	1.15	<b>Bearing - DE:</b>	6310ZC3
<b>Alt Service Factor:</b>	--	<b>Bearing - ODE:</b>	6309ZC3

Enclosure is Totally Enclosed Fan-Cooled

---

Stamped Nameplate Notes:

VT 0-60 HZ NEMA MG1-31; 208V-38.3A



**Additional Information:**

2P - TC EXTN  
STANDARD FLOOR MOUNT  
C/BOX 137 CU IN-1.25 NPT  
F1 CONDUIT BOX MOUNTING  
"C" FACE AT DE ENDSHIELD AK=8 1/2  
INVERTER DUTY PER NEMA MG1 PART 31  
ALTERNATE RATING FOR PWM CONTROL:1.0SF 40C AMBIENT  
VAR TORQUE RANGE 0-60 HZ  
SUITABLE FOR 208V -38.3 AMPS WITH 1.00 SF



**Performance Characteristics**

1st Winding 1st Connection

**Design: 25BD0090A**

**Marks:**

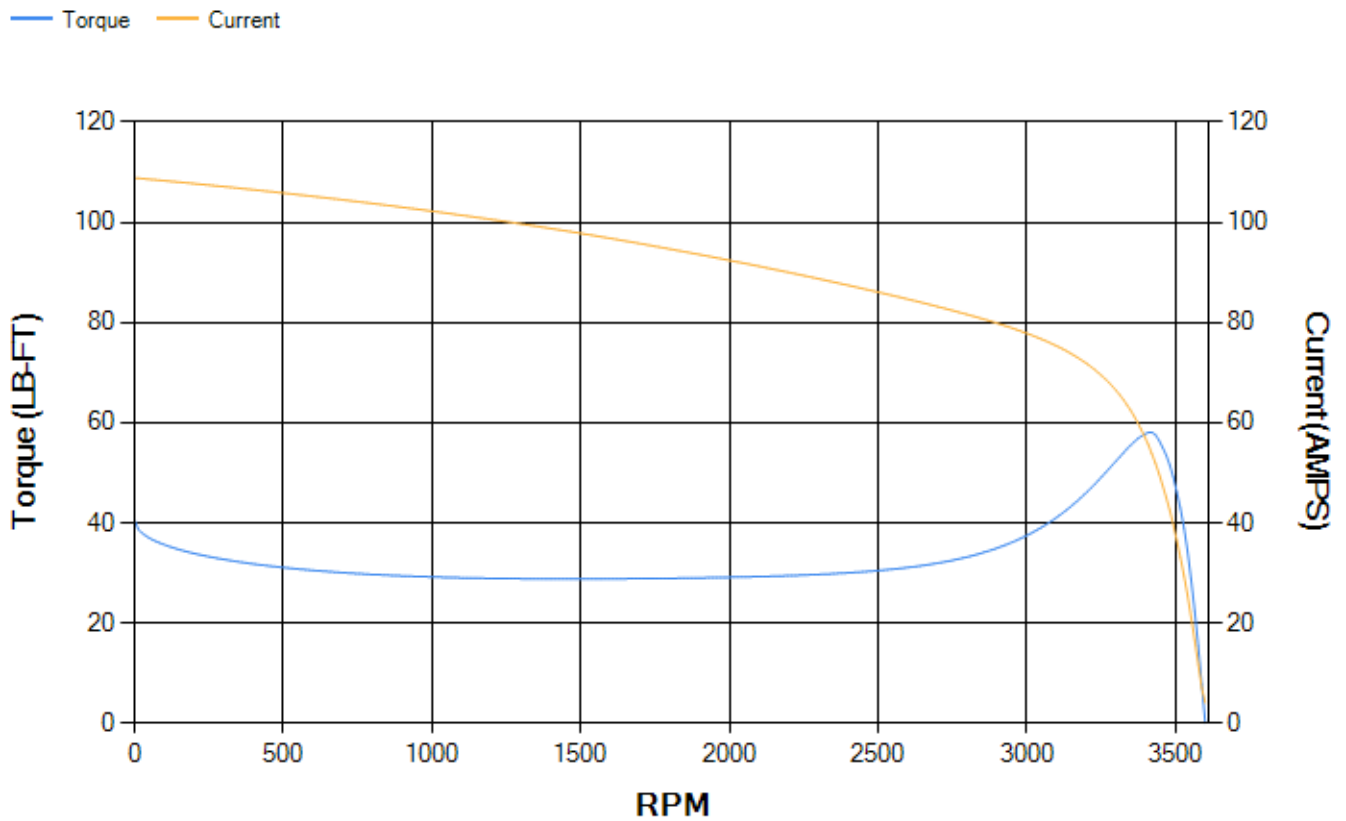
LOAD %	125.0	115.0	100.0	75.0	50.0	25.0	0.0
% EFF	89.45	90.12	91.14	91.82	91.72	88.47	0.00
% PF	88.54	88.94	89.15	88.13	83.62	67.44	9.49
AMPS	22.16	20.14	17.28	13.01	9.15	5.88	4.05

<b>TORQ(FL)#FT</b>	22.19	<b>TORQ(LR)%FL</b>	182.46	<b>TORQ(BD)%FL</b>	260.69
<b>AMPS(LR)</b>	108.88	<b>PF AT START</b>	0.3		

This motor is capable of two cold or one hot start with a maximum connected load inertia of 109 Lb-Ft Sq (4.59 Kg-meter Sq)at 100% voltage, where the load torque varies with the square of the speed. Acceleration time with maximum inertia and the above load type is 50 seconds. Safe stall time at 100% voltage is 94 seconds cold, 60 seconds hot. Rotor inertia is 1.04 Lb-Ft Sq (0.04 Kg-meter Sq).

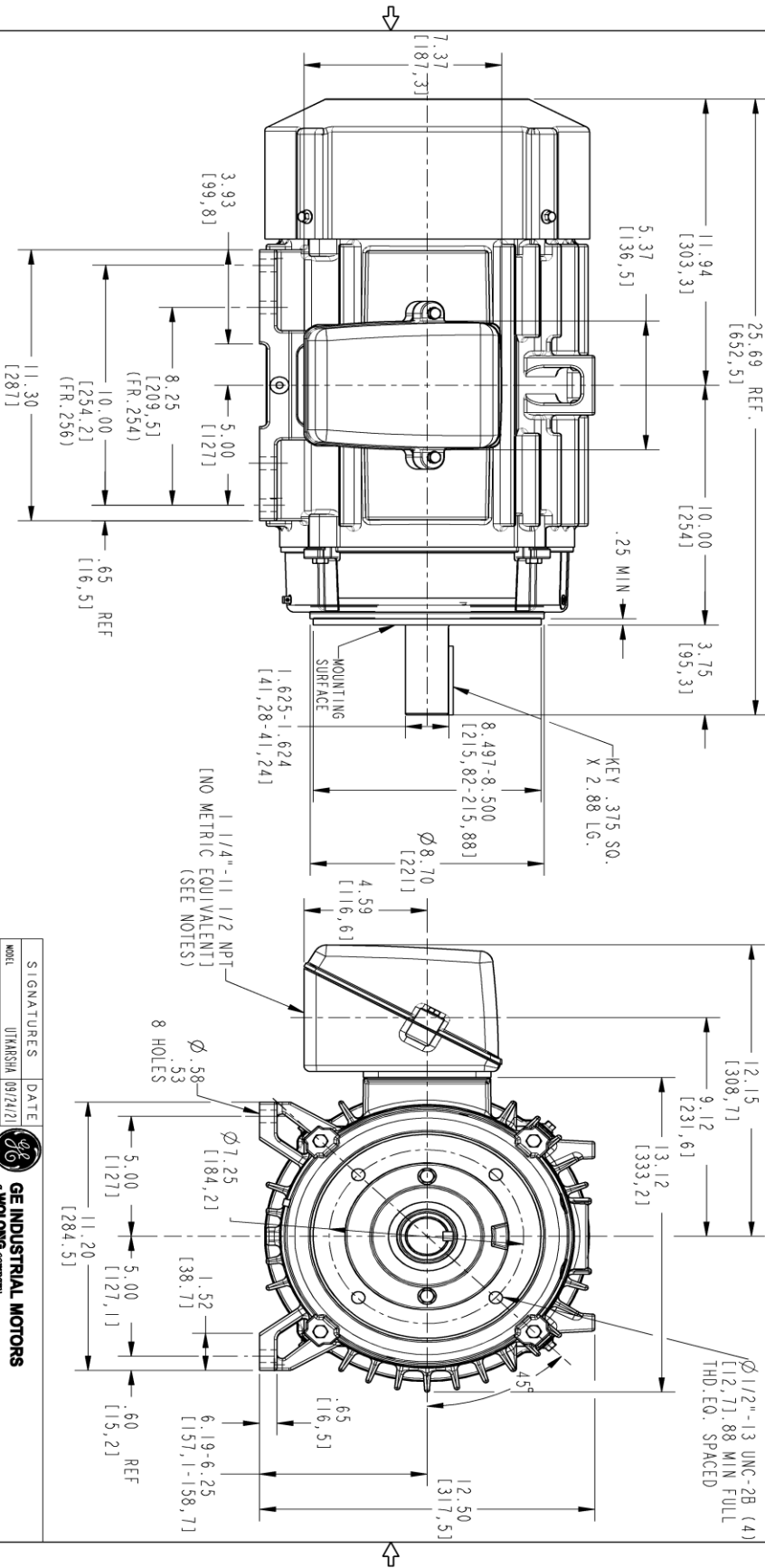
<b>Open Circuit A-C:</b>	0.836	<b>Short Circuit D-C:</b>	0.013
<b>Short Circuit A-C:</b>	0.031	<b>X/R Ratio:</b>	4.8
<b>Stator Slots:</b>	36	<b>Rotor Slots:</b>	26

**Speed Torque Current Curve (First Connection, First Speed)**



Marks:

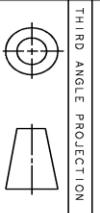
- NOTE 1: CONDUIT BOX MAY BE ASSEMBLED WITH ENTRANCE UP, DOWN OR TO EITHER SIDE.
- NOTE 2: FL ASSEMBLY AS SHOWN.
- NOTE 3: MOUNTING SURFACES WILL BE SQUARE AND CONCENTRIC WITH SHAFT WITHIN .004 T.I.R.
- NOTE 4: SHAFT RUNOUT WILL NOT EXCEED .002 T.I.R.
- NOTE 5: ALL DIMENSIONS ARE INCHES. BRACKETED DIMENSIONS ARE IN METRIC (MILLIMETERS).



**PROPRIETARY INFORMATION**  
 © COPYRIGHT 2018 Wolog Electric America LLC AND/OR ITS AFFILIATES.  
 All rights reserved. This document and the information it contains is the property of the Wolog Electric America LLC and/or its affiliates. It has been provided solely for transmission for design and engineering purposes. It is not to be used for any other purpose without the express written consent of Wolog Electric America LLC. Any other use or reproduction is strictly prohibited except as expressly authorized in writing by the Wolog Electric America LLC.

REV.	DESCRIPTION	DATE	APPROVED

SIZE	DRAWING NO.	REV	SHEET
B	4002B5825GBP5201	000	1



SIGNATURES	DATE
UTAKASHA [09/24/21]	
DHEEMAJ B [09/24/21]	
DHEEMAJ B [09/24/21]	
ENG	
CHK	
ISSUED	
SOLID MODEL: 4002B5825GBP5201	

TITLE
INDUCTION MOTOR OUTLINE
GP CONSTRUCTION

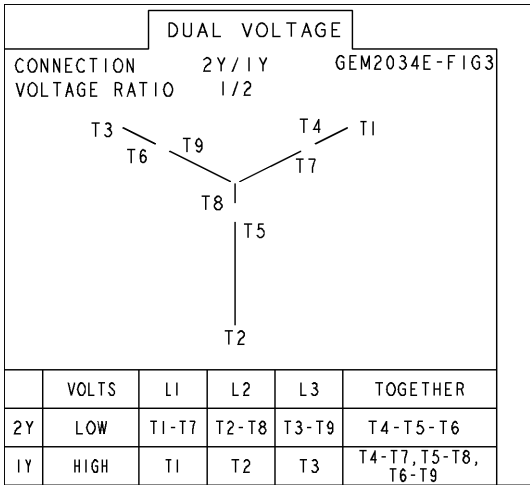
SCALE:	REF. No.:
0.250	4002B5825GBP5201

GE INDUSTRIAL MOTORS  
 a Wolog company

250TC TERC GP ULTRA C-FACE1850RABBE1137 CULN CB0X  
 SIZE DRAWING  
**4002B5825GBP5201**  
 REV 000

Marks:

**Connection Diagram**  
**GEM2034E-FIG3**



End shield Assembly		
Part Description	DE Side Part#	ODE Side Part#
End Shield	128D6106PZ1	4004D5283SB1
Bearing	235A2608AA01	235A2607AA01
Slinger/Inproseal	149C4399G03	

Fan & Fan Cover Assembly	
Part Description	Part#
Fan	159C6704G02
Fan Cover	4003C5805PB1

Conduit & Accessories Box Assembly	
Part Description	Part#
Conduit Box	4002B5728SH-G04

Mechanical Accessories	
Part Description	Part#
Brake	
Tachometer	

