



GE INDUSTRIAL MOTORS
a **WOLONG** company

Product Technical Information

October 11, 2022

Data shown is for the current revision model #. Ensure your nameplate model # matches.

Model Number:	5KS284BAA300
Catalog Number:	M1071
Instruction Manual:	GEI-56128
Connection Diagram:	GEM2034E-FIG3
Outline Drawing:	4002B5828GBP5201

Accessory Connection Diagrams

Bearing Thermocouple:	None	Heater:	None
RTD:	None	Thermistor:	None
Thermostat:	None	Winding Thermocouple:	None
Bearing RTD:	None		

Table of Contents

Specification	01
Performance Characteristics	02
Outline Drawing	03
Connection Drawing(s)	04
Spare parts	05

Marks:

MODEL NUMBER:	5KS284BAA300	Estimated Weight:	460 Lbs
Outline Drawing:	4002B5828GBP5201	Time Rating:	CONT
Connection Diagram:	GEM2034E-FIG3	Enclosure:	TEFC
Instruction Book:	GEI-56128	Encl Construction:	GP
Design Code:	28BD3093A	Ambient Max(°C):	40
Type:	KS	Alt Ambient Max(°C):	--
Frame:	284TC	Insulation Class:	F
Phases:	3	NEMA Design:	B
Poles:	6	Nominal Efficiency:	91.7 %
Output Power:	15HP 11.1KW	Guaranteed Efficiency:	90.2 %
RPM:	1180	3/4 Load Efficiency:	--
Voltage:	230/460	KVA Code:	G
Hertz:	60	Max KVAR:	6.7
Amps - FL:	39.6/19.8	Power Factor:	77.5
Service Factor:	1.15	Bearing - DE:	6310-2ZC3
Alt Service Factor:	--	Bearing - ODE:	6310-2ZC3

Enclosure is Totally Enclosed Fan-Cooled

Stamped Nameplate Notes:

VT 0-60 HZ NEMA MG1-31; 208V-41.5A



Additional Information:

6P - TC EXTN
STANDARD FLOOR MOUNT
C/BOX 137 CU IN-1.50 NPT
F1 CONDUIT BOX MOUNTING
"C" FACE AT DE ENDSHIELD AK- 10.5"
INVERTER DUTY PER NEMA MG1 PART 31
ALTERNATE RATING FOR PWM CONTROL:1.0SF 40C AMBIENT
VAR TORQUE RANGE 0-60 HZ
SUITABLE FOR 208V -41.5 AMPS WITH 1.15 SF



Performance Characteristics

1st Winding 1st Connection

Design: 28BD3093A

Marks:

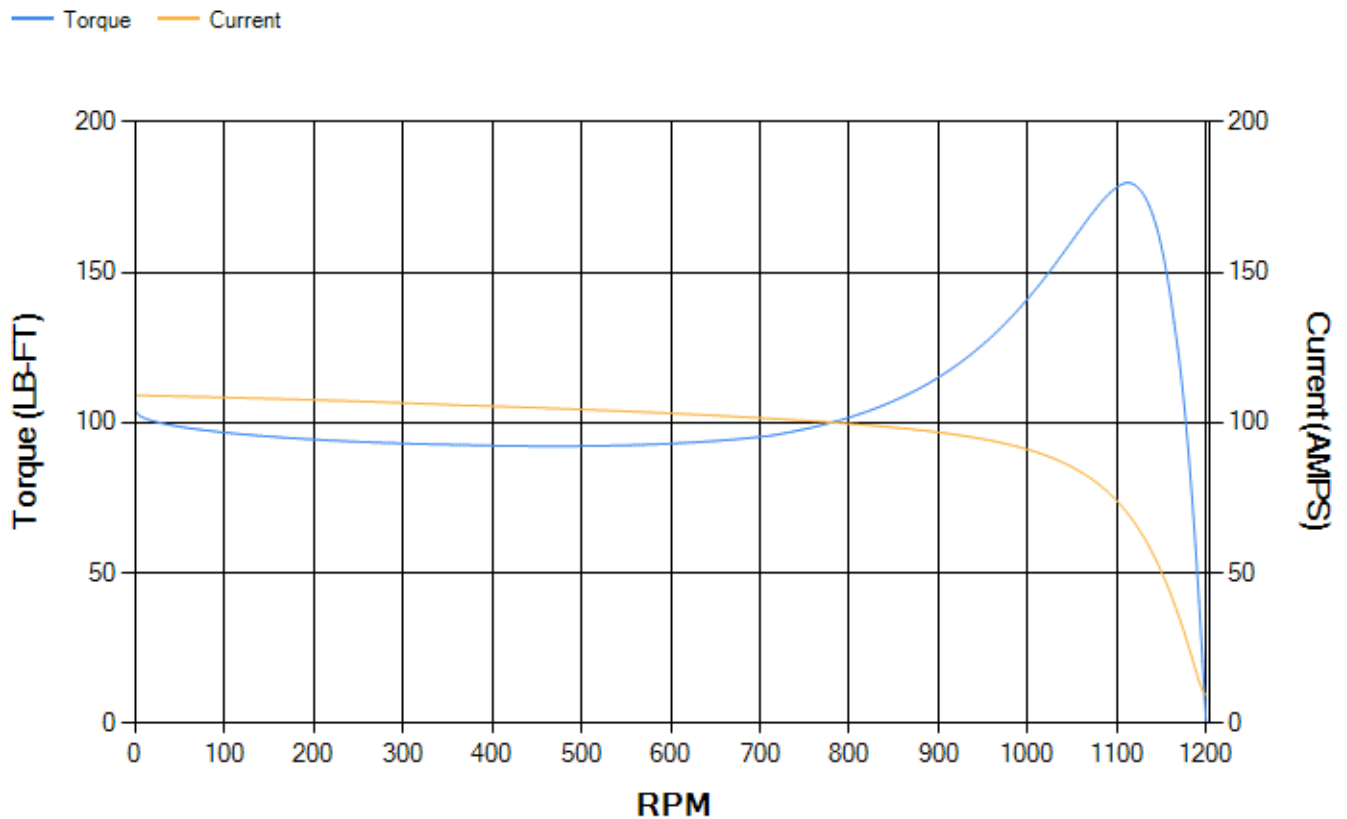
LOAD %	125.0	115.0	100.0	75.0	50.0	25.0	0.0
% EFF	90.9	91.33	92.05	92.28	91.72	87.79	0.00
% PF	80.21	79.43	77.58	71.86	60.42	38.72	4.47
AMPS	24.07	22.26	19.68	15.88	12.67	10.32	9.28

TORQ(FL)#FT	66.6	TORQ(LR)%FL	155.97	TORQ(BD)%FL	269.32
AMPS(LR)	109.12	PF AT START	0.36		

This motor is capable of two cold or one hot start with a maximum connected load inertia of 1000 Lb-Ft Sq (42.1 Kg-meter Sq)at 100% voltage, where the load torque varies with the square of the speed. Acceleration time with maximum inertia and the above load type is 45 seconds. Safe stall time at 100% voltage is 100 seconds cold, 67 seconds hot. Rotor inertia is 5.13 Lb-Ft Sq (0.22 Kg-meter Sq).

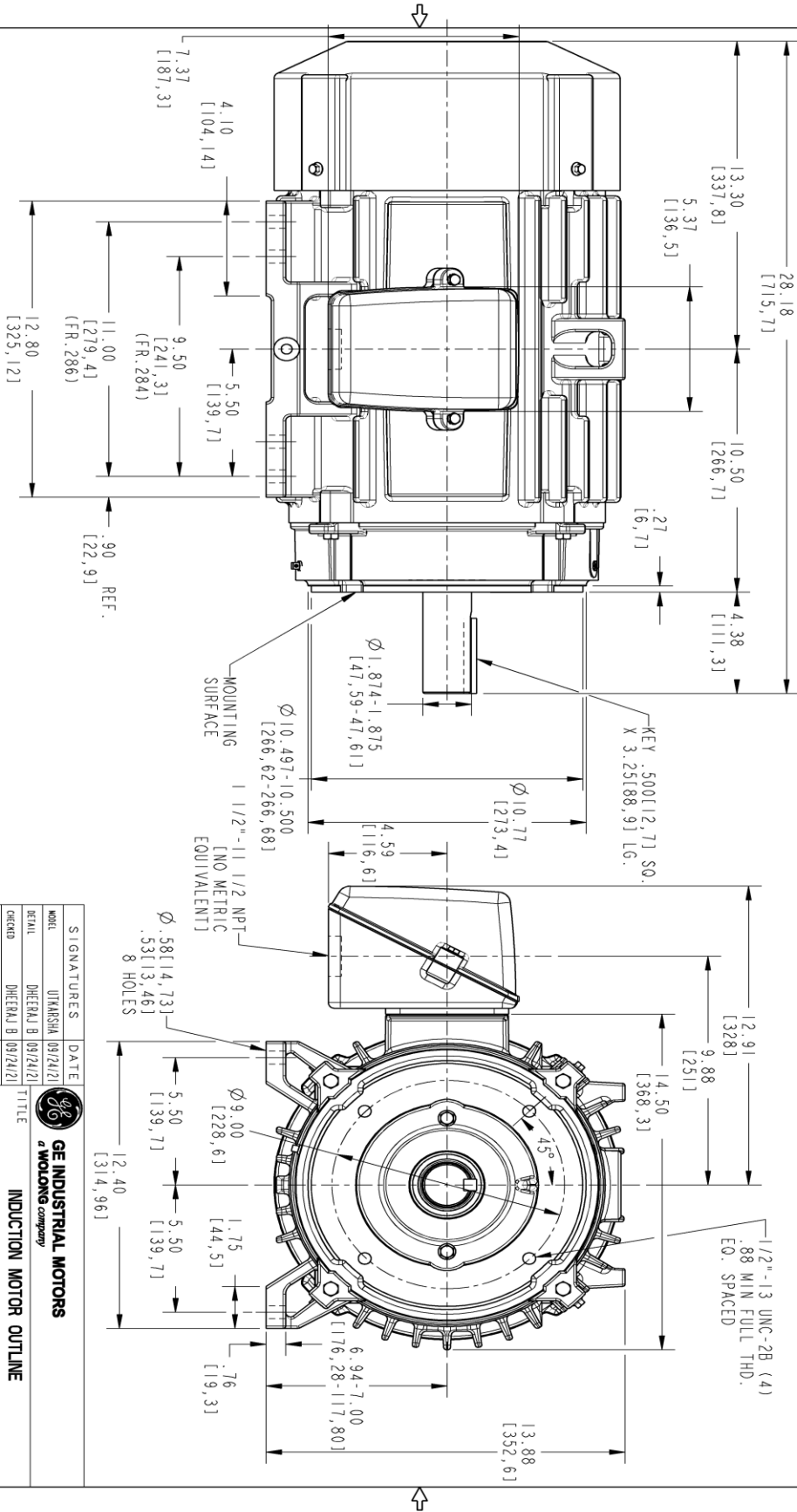
Open Circuit A-C:	0.361	Short Circuit D-C:	0.013
Short Circuit A-C:	0.027	X/R Ratio:	4.971
Stator Slots:	54	Rotor Slots:	42

Speed Torque Current Curve (First Connection, First Speed)



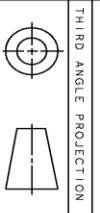
Marks:

NOTE 1: CONDUIT BOX MAY BE ASSEMBLED WITH ENTRANCE UP, DOWN OR TO EITHER SIDE.
 NOTE 2: F1 ASSEMBLY AS SHOWN.
 NOTE 3: MOUNTING SURFACES WILL BE SQUARE AND CONCENTRIC WITH SHAFT WITHIN .004 T.I.R.
 NOTE 4: SHAFT RUNOUT WILL NOT EXCEED .002 T.I.R.
 NOTE 5: ALL DIMENSIONS ARE IN INCHES, BRACKETED DIMENSIONS ARE IN METRIC (MILLIMETERS).



PROPRIETARY INFORMATION
 © COPYRIGHT 2018 Motoring Electric America LLC AND/OR ITS AFFILIATES
 All rights reserved. This document and the information it contains is the property of Motoring Electric America LLC and/or its affiliates. It has been provided solely for transmission to the customer for their use only. No other use, reproduction, or distribution is strictly prohibited except as expressly authorized in writing by Motoring Electric America LLC.

SIZE	DRAWING NO.	REV	SHEET
B	4002B5828GBP5201	000	1
REVISIONS			
REV.	DESCRIPTION	DATE	APPROVED



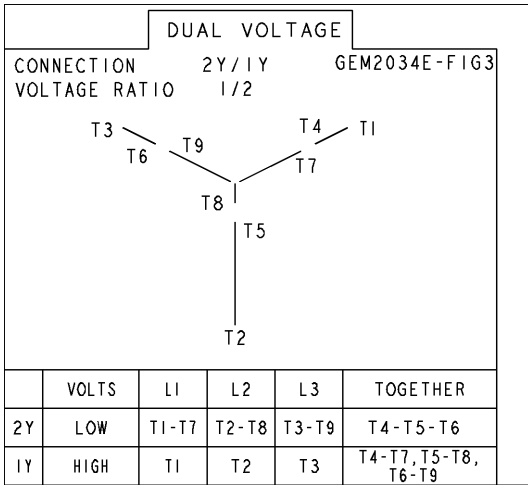
THIRD ANGLE PROJECTION

SIGNATURES		DATE	<p>GE INDUSTRIAL MOTORS a WOLONG company</p> <p>INDUCTION MOTOR OUTLINE GP CONSTRUCTION</p> <p>294/2961C TFC GP ULTRA CFACE 1050° RABBE1197 CUIM CBOX</p>
MODEL	UTKASNA	09/24/21	
DETAIL	DHEEMAJ B	09/24/21	
CREATED	DHEEMAJ B	09/24/21	
CHKD	-	-	
QUALITY	UTKASNA	09/24/21	SIZE DRAWING
ISSUED	B	-	4002B5828GBP5201
SOLID MODEL	4002B5828GBP5201	SCALE: 0.250	REV. No.: 4002B5828GBP5201

SHEET 1 OF 1

Marks:

Connection Diagram
GEM2034E-FIG3



End shield Assembly		
Part Description	DE Side Part#	ODE Side Part#
End Shield	128D6206WF1	4004D5284SB1
Bearing	235A2608AA02	235A2608AA02
Slinger/Inproseal	149C4399G03	

Fan & Fan Cover Assembly	
Part Description	Part#
Fan	159C6900G01
Fan Cover	4003C5799PA1

Conduit & Accessories Box Assembly	
Part Description	Part#
Conduit Box	4002B5728SH-G01

Mechanical Accessories	
Part Description	Part#
Brake	
Tachometer	

