



GE INDUSTRIAL MOTORS
a **WOLONG** company

Product Technical Information

October 11, 2022

Data shown is for the current revision model #. Ensure your nameplate model # matches.

Model Number:	5KS256BAA200
Catalog Number:	M1073
Instruction Manual:	GEI-56128
Connection Diagram:	GEM2034E-FIG3
Outline Drawing:	4002B5825GBP5201

Accessory Connection Diagrams

Bearing Thermocouple:	None	Heater:	None
RTD:	None	Thermistor:	None
Thermostat:	None	Winding Thermocouple:	None
Bearing RTD:	None		

Table of Contents

Specification	01
Performance Characteristics	02
Outline Drawing	03
Connection Drawing(s)	04
Spare parts	05

Marks:

MODEL NUMBER:	5KS256BAA200	Estimated Weight:	350 Lbs
Outline Drawing:	4002B5825GBP5201	Time Rating:	CONT
Connection Diagram:	GEM2034E-FIG3	Enclosure:	TEFC
Instruction Book:	GEI-56128	Encl Construction:	GP
Design Code:	25BD1163A	Ambient Max(°C):	40
Type:	KS	Alt Ambient Max(°C):	--
Frame:	256TC	Insulation Class:	F
Phases:	3	NEMA Design:	B
Poles:	4	Nominal Efficiency:	93.0 %
Output Power:	20HP 14.8KW	Guaranteed Efficiency:	91.7 %
RPM:	1775	3/4 Load Efficiency:	--
Voltage:	230/460	KVA Code:	G
Hertz:	60	Max KVAR:	6.2
Amps - FL:	47.6/23.8	Power Factor:	84.5
Service Factor:	1.15	Bearing - DE:	6310-2ZC3
Alt Service Factor:	--	Bearing - ODE:	6309-2ZC3

Enclosure is Totally Enclosed Fan-Cooled

Stamped Nameplate Notes:

VT 0-60 HZ NEMA MG1-31; 208V-51.5A



Additional Information:

4P - TC EXTN
STANDARD FLOOR MOUNT
C/BOX 137 CU IN-1.25 NPT
F1 CONDUIT BOX MOUNTING
"C" FACE AT DE ENDSHIELD AK=8 1/2
INVERTER DUTY PER NEMA MG1 PART 31
ALTERNATE RATING FOR PWM CONTROL:1.0SF 40C AMBIENT
VAR TORQUE RANGE 0-60 HZ
SUITABLE FOR 208V -51.5 AMPS WITH 1.15 SF



Performance Characteristics

1st Winding 1st Connection

Design: 25BD1163A

Marks:

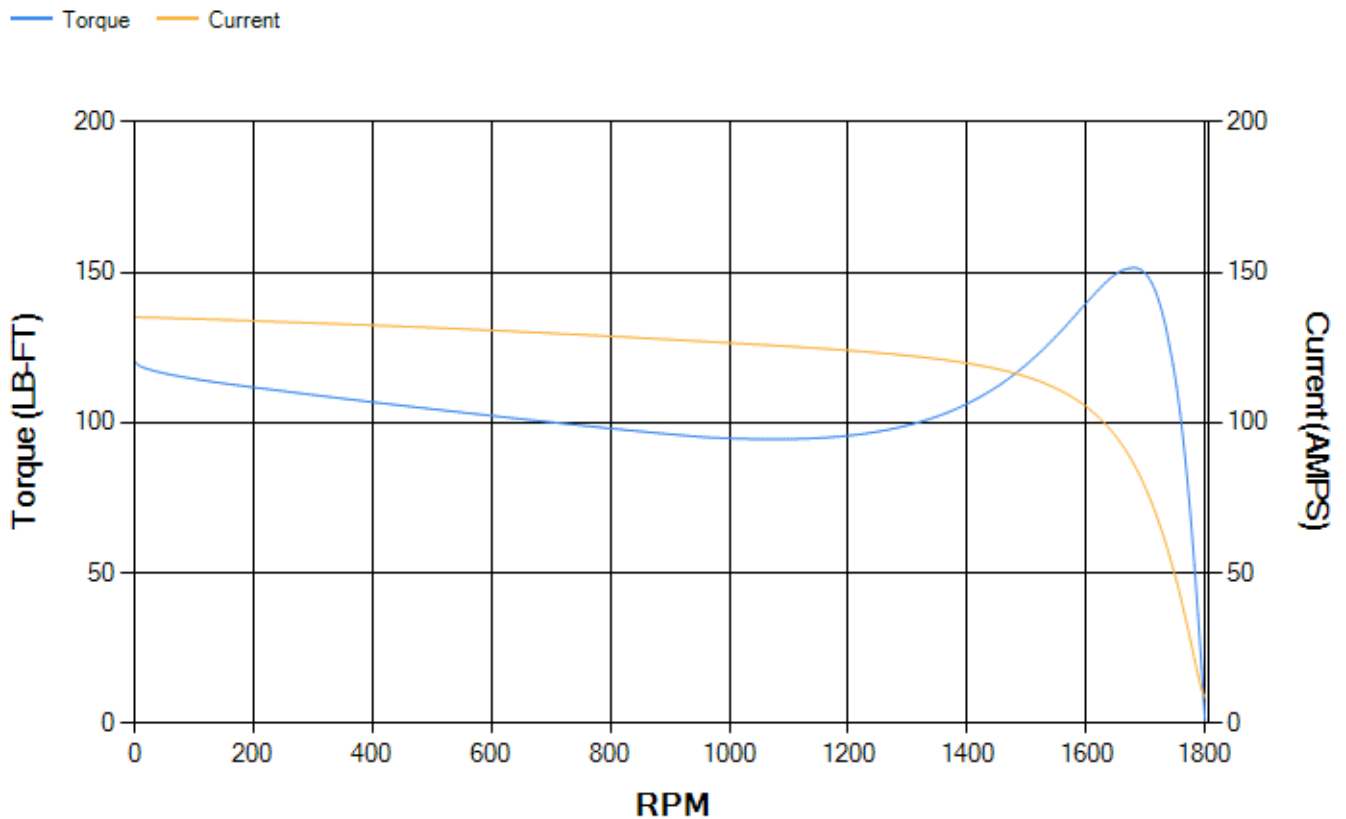
LOAD %	125.0	115.0	100.0	75.0	50.0	25.0	0.0
% EFF	92.13	92.56	93.31	93.72	93.6	91.02	0.00
% PF	86.08	85.73	84.7	80.92	71.85	49.8	4.4
AMPS	29.5	27.13	23.68	18.51	13.92	10.32	8.63

TORQ(FL)#FT	59.21	TORQ(LR)%FL	203.52	TORQ(BD)%FL	254.89
AMPS(LR)	135.13	PF AT START	0.45		

This motor is capable of two cold or one hot start with a maximum connected load inertia of 653 Lb-Ft Sq (27.49 Kg-meter Sq)at 100% voltage, where the load torque varies with the square of the speed. Acceleration time with maximum inertia and the above load type is 43 seconds. Safe stall time at 100% voltage is 98 seconds cold, 62 seconds hot. Rotor inertia is 3.01 Lb-Ft Sq (0.13 Kg-meter Sq).

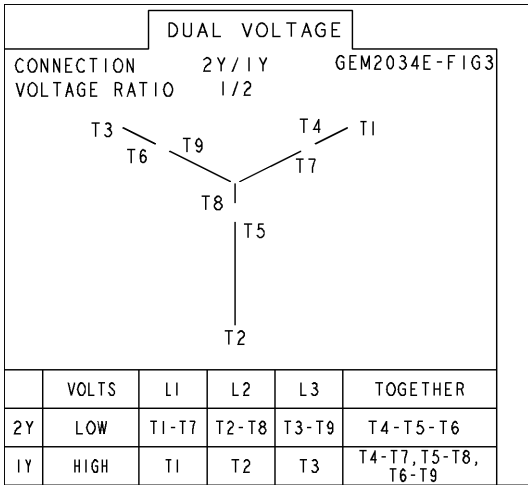
Open Circuit A-C:	0.482	Short Circuit D-C:	0.014
Short Circuit A-C:	0.024	X/R Ratio:	5.127
Stator Slots:	48	Rotor Slots:	40

Speed Torque Current Curve (First Connection, First Speed)



Marks:

Connection Diagram
GEM2034E-FIG3



End shield Assembly		
Part Description	DE Side Part#	ODE Side Part#
End Shield	128D6106PZ1	4004D5283SB1
Bearing	235A2608AA02	235A2607AA02
Slinger/Inproseal	149C4399G03	

Fan & Fan Cover Assembly	
Part Description	Part#
Fan	159C6700G02
Fan Cover	4003C5805PA1

Conduit & Accessories Box Assembly	
Part Description	Part#
Conduit Box	4002B5728SH-G04

Mechanical Accessories	
Part Description	Part#
Brake	
Tachometer	

