



GE INDUSTRIAL MOTORS
a **WOLONG** company

Product Technical Information

October 12, 2022

Data shown is for the current revision model #. Ensure your nameplate model # matches.

Model Number:	5KS286BAA300
Catalog Number:	M1074
Instruction Manual:	GEI-56128
Connection Diagram:	GEM2034E-FIG9
Outline Drawing:	4002B5828GBP5201

Accessory Connection Diagrams

Bearing Thermocouple:	None	Heater:	None
RTD:	None	Thermistor:	None
Thermostat:	None	Winding Thermocouple:	None
Bearing RTD:	None		

Table of Contents

Specification	01
Performance Characteristics	02
Outline Drawing	03
Connection Drawing(s)	04
Spare parts	05

Marks:

MODEL NUMBER:	5KS286BAA300
Outline Drawing:	4002B5828GBP5201
Connection Diagram:	GEM2034E-FIG9
Instruction Book:	GEI-56128
Design Code:	28BD3094A
Type:	KS
Frame:	286TC
Phases:	3
Poles:	6
Output Power:	20HP 14.8KW
RPM:	1180
Voltage:	230/460
Hertz:	60
Amps - FL:	52.4/26.2
Service Factor:	1.15
Alt Service Factor:	--

Estimated Weight:	510 Lbs
Time Rating:	CONT
Enclosure:	TEFC
Encl Construction:	GP
Ambient Max(°C):	40
Alt Ambient Max(°C):	--
Insulation Class:	F
NEMA Design:	B
Nominal Efficiency:	91.7 %
Guaranteed Efficiency:	90.2 %
3/4 Load Efficiency:	--
KVA Code:	G
Max KVAR:	8.6
Power Factor:	78.0
Bearing - DE:	6310-2ZC3
Bearing - ODE:	6310-2ZC3

Enclosure is Totally Enclosed Fan-Cooled

Stamped Nameplate Notes:

VT 0-60 HZ NEMA MG1-31; 208V-55.4A



Additional Information:

6P - TC EXTN
STANDARD FLOOR MOUNT
C/BOX 137 CU IN-1.50 NPT
F1 CONDUIT BOX MOUNTING
"C" FACE AT DE ENDSHIELD AK- 10.5"
INVERTER DUTY PER NEMA MG1 PART 31
ALTERNATE RATING FOR PWM CONTROL:1.0SF 40C AMBIENT
VAR TORQUE RANGE 0-60 HZ
SUITABLE FOR 208V -55.4 AMPS WITH 1.15 SF



Performance Characteristics

1st Winding 1st Connection

Design: 28BD3094A

Marks:

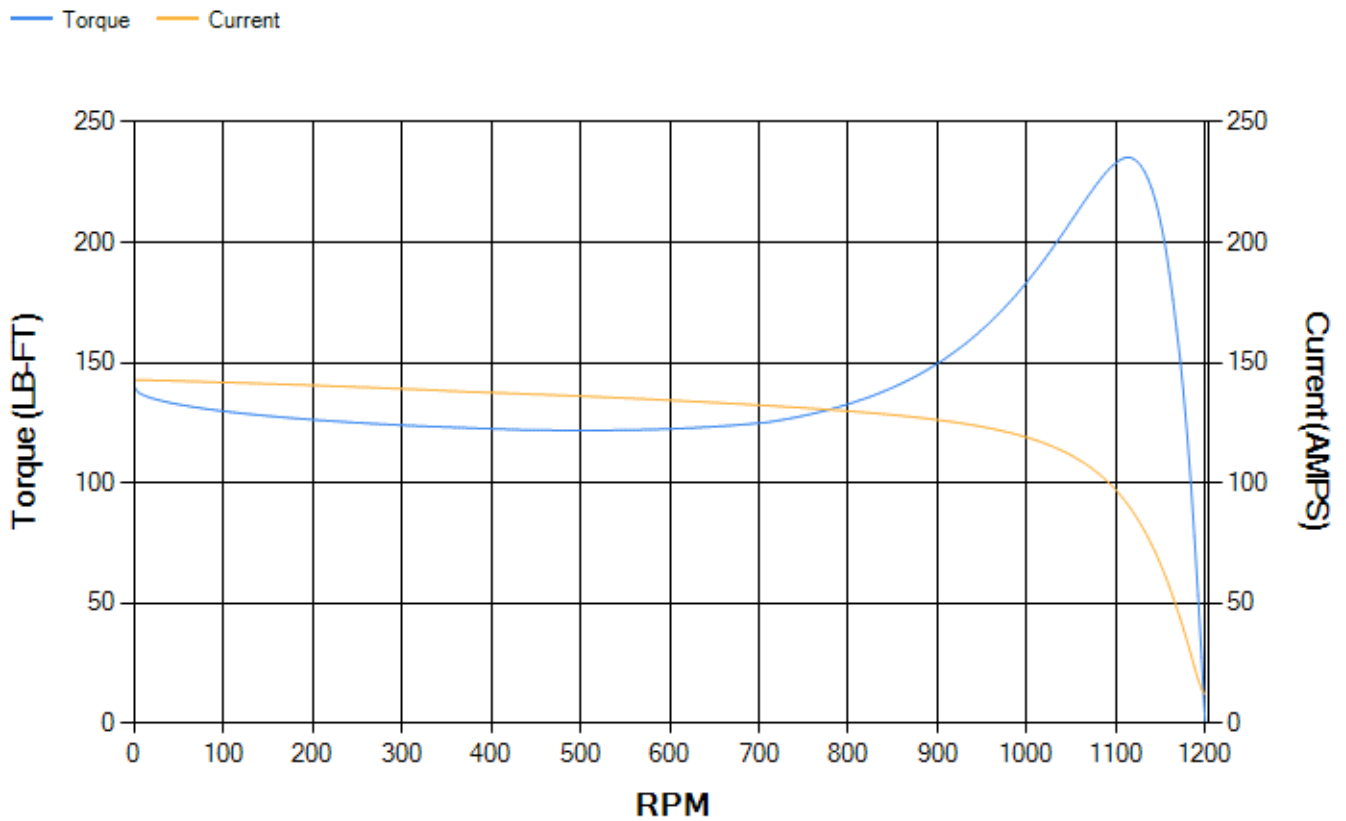
LOAD %	125.0	115.0	100.0	75.0	50.0	25.0	0.0
% EFF	90.76	91.25	92.05	92.43	92.06	88.54	0.00
% PF	80.29	79.61	77.9	72.43	61.17	39.32	4.16
AMPS	32.11	29.63	26.12	20.97	16.62	13.44	12.04

TORQ(FL)#FT	88.9	TORQ(LR)%FL	157.11	TORQ(BD)%FL	264.08
AMPS(LR)	142.83	PF AT START	0.36		

This motor is capable of two cold or one hot start with a maximum connected load inertia of 1029 Lb-Ft Sq (43.32 Kg-meter Sq)at 100% voltage, where the load torque varies with the square of the speed. Acceleration time with maximum inertia and the above load type is 35 seconds. Safe stall time at 100% voltage is 89 seconds cold, 52 seconds hot. Rotor inertia is 6.1 Lb-Ft Sq (0.26 Kg-meter Sq).

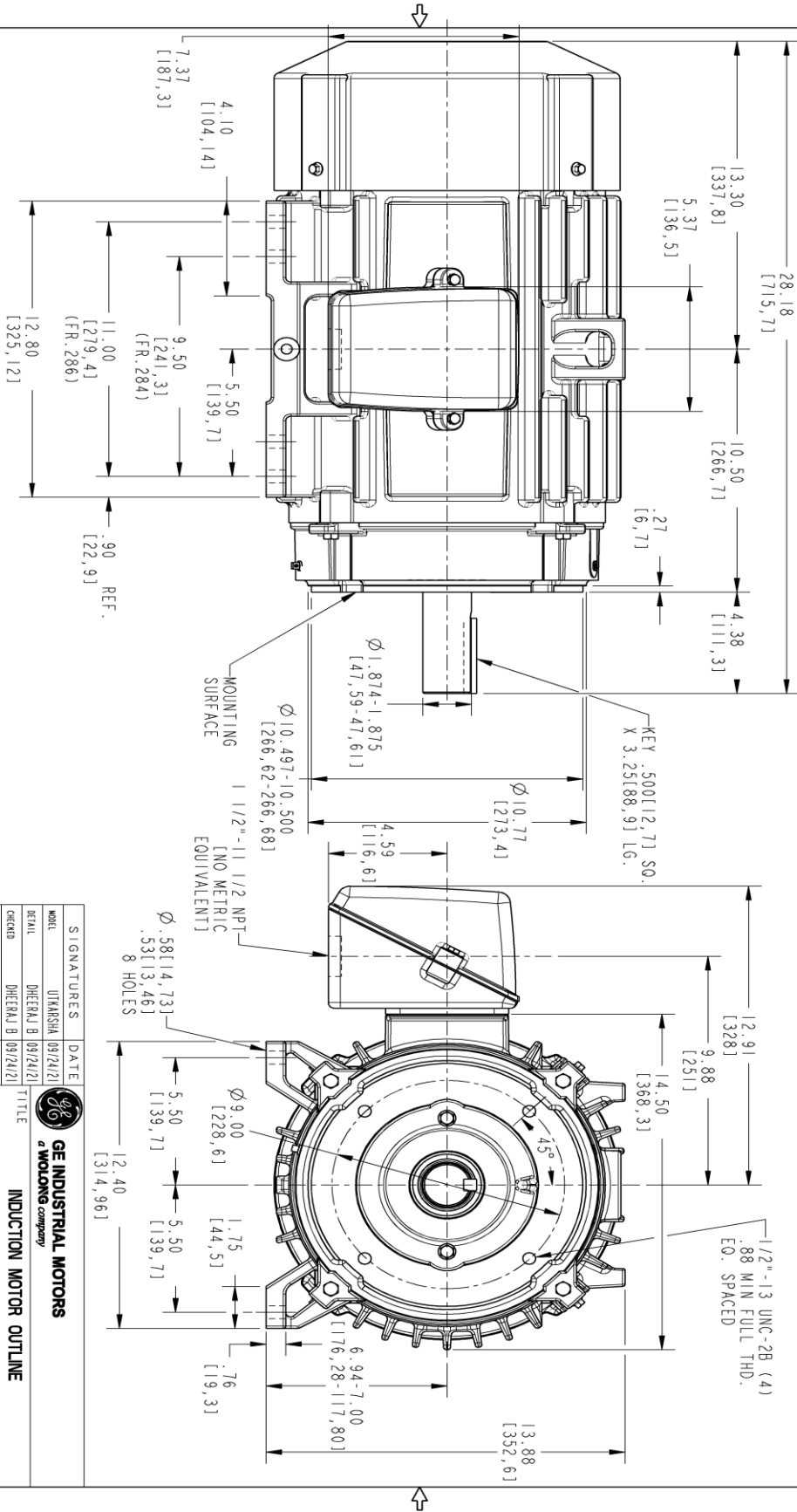
Open Circuit A-C:	0.346	Short Circuit D-C:	0.013
Short Circuit A-C:	0.026	X/R Ratio:	4.937
Stator Slots:	54	Rotor Slots:	42

Speed Torque Current Curve (First Connection, First Speed)



Marks:

NOTE 1: CONDUIT BOX MAY BE ASSEMBLED WITH ENTRANCE UP, DOWN OR TO EITHER SIDE.
 NOTE 2: F1 ASSEMBLY AS SHOWN.
 NOTE 3: MOUNTING SURFACES WILL BE SQUARE AND CONCENTRIC WITH SHAFT WITHIN .004 T.I.R.
 NOTE 4: SHAFT RUNOUT WILL NOT EXCEED .002 T.I.R.
 NOTE 5: ALL DIMENSIONS ARE IN INCHES, BRACKETED DIMENSIONS ARE IN METRIC (MILLIMETERS).



PROPRIETARY INFORMATION
 © COPYRIGHT 2018 Wolog Electric America LLC AND/OR ITS AFFILIATES
 All rights reserved. This document and the information it contains is the property of Wolog Electric America LLC and/or its affiliates. It has been provided solely for transmission to the recipient for the specific use and purpose intended. No other use, reproduction, or distribution of this information is strictly prohibited except as expressly authorized in writing by Wolog Electric America LLC.

SIZE DRAWING NO.	B	REV	SHEET
4002B58286BP5201	000	1	1
REVISIONS			
REV.	DESCRIPTION	DATE	APPROVED



THIRD ANGLE PROJECTION

SIGNATURES		DATE	<p>GE INDUSTRIAL MOTORS a Wolog company</p> <p>INDUCTION MOTOR OUTLINE GP CONSTRUCTION</p> <p>294/2961C TFC GP ULTRA CFACE 1050° RABBE1197 CUIM CBOX</p> <p>SIZE DRAWING</p> <p>4002B58286BP5201</p> <p>SCALE: 0.250 REF. No.: 4002B58286BP5201</p>
MODEL	UTKASHA	09/24/21	
DETAIL	DHEEMAJ B	09/24/21	
CHECKED	DHEEMAJ B	09/24/21	
ENG			
QUALITY	UTKASHA	09/24/21	REV
ISSUED			000
SOLID MODEL:	4002B58286BP5201		SHEET 1 OF 1

Marks:

Connection Diagram
GEM2034E-FIG9



End shield Assembly		
Part Description	DE Side Part#	ODE Side Part#
End Shield	128D6206WF1	4004D5284SB1
Bearing	235A2608AA02	235A2608AA02
Slinger/Inproseal	149C4399G03	

Fan & Fan Cover Assembly	
Part Description	Part#
Fan	159C6900G01
Fan Cover	4003C5799PA1

Conduit & Accessories Box Assembly	
Part Description	Part#
Conduit Box	4002B5728SH-G01

Mechanical Accessories	
Part Description	Part#
Brake	
Tachometer	

