



**GE INDUSTRIAL MOTORS**  
a **WOLONG** company

# Product Technical Information

September 8, 2022

Data shown is for the current revision model #. Ensure your nameplate model # matches.

<b>Model Number:</b>	<b>5KS213BAA305</b>
<b>Catalog Number:</b>	<b>M1142</b>
<b>Instruction Manual:</b>	GEI-56128
<b>Connection Diagram:</b>	GEM2034E-FIG3
<b>Outline Drawing:</b>	4002B5821GAP5201

## Accessory Connection Diagrams

<b>Bearing Thermocouple:</b>	None	<b>Heater:</b>	None
<b>RTD:</b>	None	<b>Thermistor:</b>	None
<b>Thermostat:</b>	None	<b>Winding Thermocouple:</b>	None
<b>Bearing RTD:</b>	None		

## Table of Contents

Specification	01
Performance Characteristics	02
Outline Drawing	03
Connection Drawing(s)	04
Spare parts	05

Marks:

**MODEL NUMBER:** 5KS213BAA305  
**Outline Drawing:** 4002B5821GAP5201  
**Connection Diagram:** GEM2034E-FIG3  
**Instruction Book:** GEI-56128  
**Design Code:** 21BD3003A  
**Type:** KS  
**Frame:** 213T  
**Phases:** 3  
**Poles:** 6  
**Output Power:** 3HP 2.2KW  
**RPM:** 1175  
**Voltage:** 230/460  
**Hertz:** 60  
**Amps - FL:** 8.6/4.3  
**Service Factor:** 1.15  
**Alt Service Factor:** --

**Estimated Weight:** 200 Lbs  
**Time Rating:** CONT  
**Enclosure:** TEFC  
**Encl Construction:** GP  
**Ambient Max(°C):** 40  
**Alt Ambient Max(°C):** --  
**Insulation Class:** F  
**NEMA Design:** B  
**Nominal Efficiency:** 89.5 %  
**Guaranteed Efficiency:** 87.5 %  
**3/4 Load Efficiency:** --  
**KVA Code:** K  
**Max KVAR:** 1.6  
**Power Factor:** 73.0  
**Bearing - DE:** 6208-2ZC3  
**Bearing - ODE:** 6208-2ZC3

Enclosure is Totally Enclosed Fan-Cooled

---

Stamped Nameplate Notes:

VT 0-60 HZ NEMA MG1-31; 208V-8.6A



**Additional Information:**

6P - T EXTN  
STANDARD FLOOR MOUNT  
C/BOX 55 CU IN-1.00 NPT  
F1 CONDUIT BOX MOUNTING  
INVERTER DUTY PER NEMA MG1 PART 31  
ALTERNATE RATING FOR PWM CONTROL:1.0SF 40C AMBIENT  
VAR TORQUE RANGE 0-60 HZ  
SUITABLE FOR 208V-8.6 AMPS WITH 1.15 SF



**Performance Characteristics**

1st Winding 1st Connection

**Design: 21BD3003A**

**Marks:**

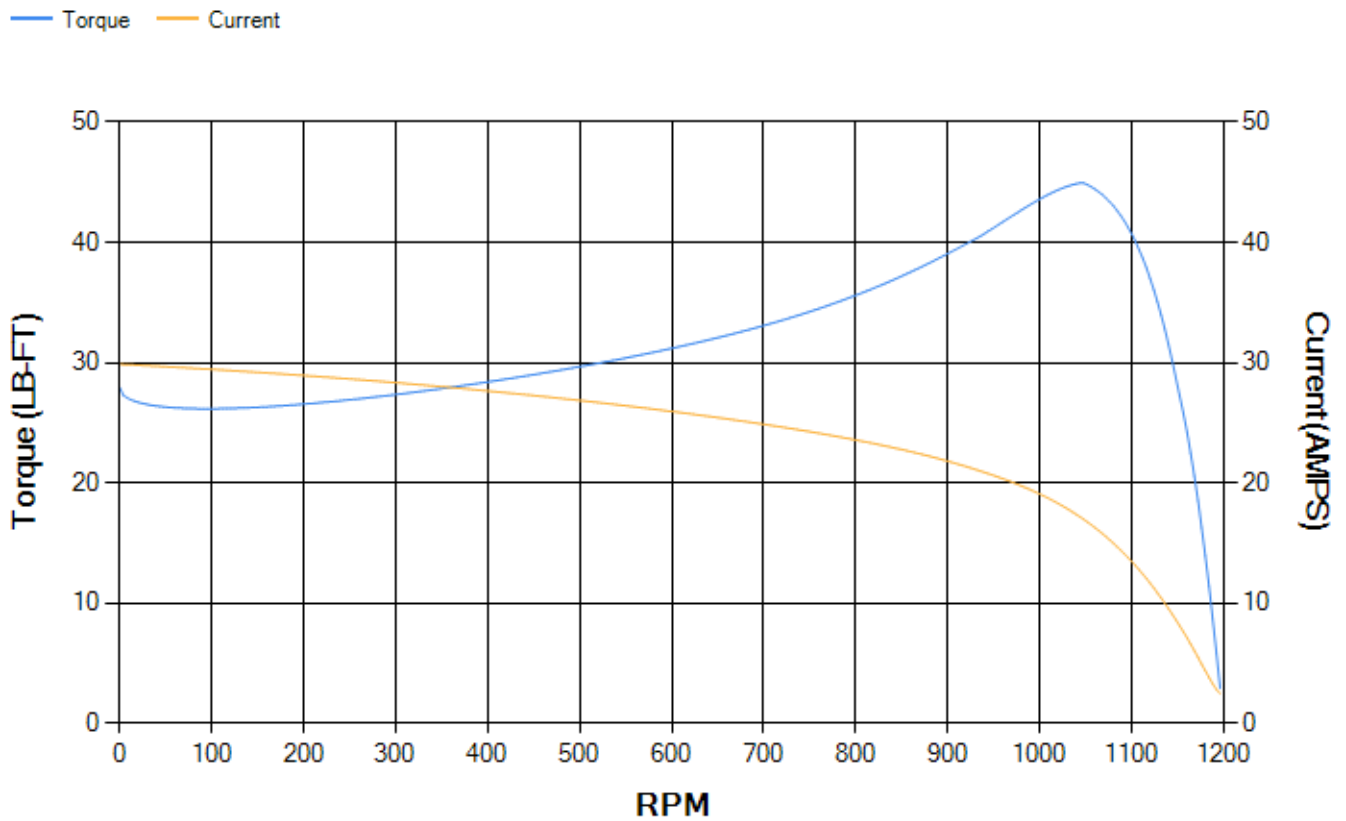
LOAD %	125.0	115.0	100.0	75.0	50.0	25.0	0.0
% EFF	88.65	89.07	89.73	89.72	88.5	82.66	0.00
% PF	76.93	75.68	73.09	66.09	53.88	33.85	5.62
AMPS	5.15	4.79	4.28	3.55	2.94	2.51	2.3

<b>TORQ(FL)#FT</b>	13.38	<b>TORQ(LR)%FL</b>	208.99	<b>TORQ(BD)%FL</b>	333.05
<b>AMPS(LR)</b>	29.87	<b>PF AT START</b>	0.46		

This motor is capable of two cold or one hot start with a maximum connected load inertia of 430 Lb-Ft Sq (18.1 Kg-meter Sq)at 100% voltage, where the load torque varies with the square of the speed. Acceleration time with maximum inertia and the above load type is 60 seconds. Safe stall time at 100% voltage is 133 seconds cold, 106 seconds hot. Rotor inertia is 0.64 Lb-Ft Sq (0.03 Kg-meter Sq).

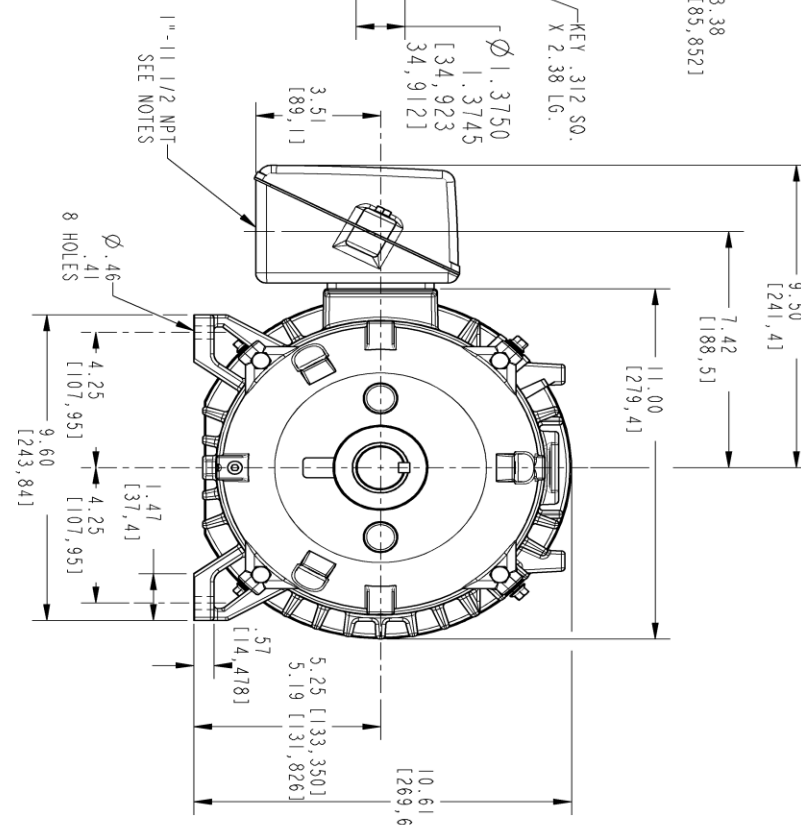
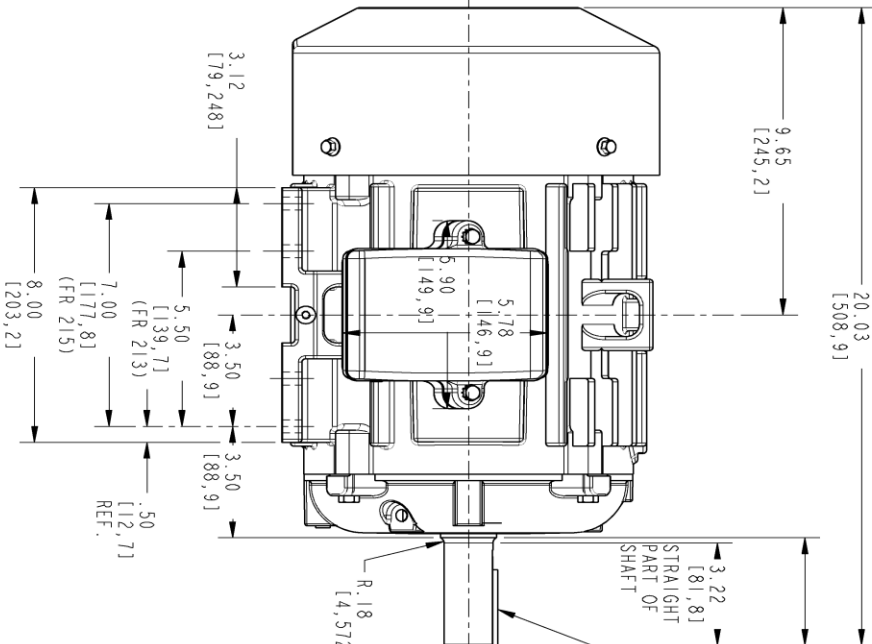
<b>Open Circuit A-C:</b>	0.238	<b>Short Circuit D-C:</b>	0.009
<b>Short Circuit A-C:</b>	0.015	<b>X/R Ratio:</b>	3.473
<b>Stator Slots:</b>	36	<b>Rotor Slots:</b>	44

**Speed Torque Current Curve (First Connection, First Speed)**



Marks:

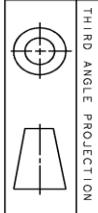
NOTE 1: CONDUIT BOX MAY BE ASSEMBLED WITH ENTRANCE UP, DOWN OR TO EITHER SIDE.  
 NOTE 2: F1 ASSEMBLY AS SHOWN.  
 NOTE 3: ALL DIMENSIONS ARE IN INCHES BRACKETED DIMENSIONS ARE IN METRIC (MILLIMETERS)



PROPRIETARY INFORMATION  
 © COPYRIGHT 2018 Wologong Electric America LLC AND/OR ITS AFFILIATES.  
 All rights reserved. This document and the information it contains is the property of Wologong Electric America LLC and/or its affiliates. It has been provided solely for the use of the recipient for the specific project and is not to be distributed, copied, or otherwise used for any other purpose without the express written consent of Wologong Electric America LLC. Any use of this information is strictly prohibited except as expressly authorized in writing by Wologong Electric America LLC.

REV.	DESCRIPTION	DATE	APPROVED

ALL DIMENSIONS ARE IN INCHES



SIGNATURES		DATE	
MODEL	NARAYANA	09/24/21	
DETAIL	NARAYANA	09/24/21	
DESIGN	VIJANT	09/24/21	
ENGR	DHETRAJ	09/24/21	
QC			
QUALITY			
ISSUED	NARAYANA	09/24/21	
SOLID MODEL:	4002B5821GAP5201	SCALE:	0.300
TITLE		REF. No.: 4002B5821PAP201	
INDUCTION MOTOR OUTLINE		SHEET DRAWING	
GP CONSTRUCTION		REV 0	
MFG: FR 29/26 T TEC		SHEET 1 of 1	



Marks:

**Connection Diagram**  
**GEM2034E-FIG3**



End shield Assembly		
Part Description	DE Side Part#	ODE Side Part#
End Shield	4004D5282PA1	4004D5282SB1
Bearing	235A2603AA02	235A2603AA02
Slinger/Inproseal	149C4399G01	

Fan & Fan Cover Assembly	
Part Description	Part#
Fan	159C6700G01
Fan Cover	4003C5806PA1

Conduit & Accessories Box Assembly	
Part Description	Part#
Conduit Box	4002B5721PT-G01

Mechanical Accessories	
Part Description	Part#
Brake	
Tachometer	

