



GE INDUSTRIAL MOTORS
a **WOLONG** company

Product Technical Information

September 8, 2022

Data shown is for the current revision model #. Ensure your nameplate model # matches.

Model Number:	5KS286BAA115
Catalog Number:	M1159
Instruction Manual:	GEI-56128
Connection Diagram:	GEM2034E-FIG9
Outline Drawing:	4002B5828GAP5202

Accessory Connection Diagrams

Bearing Thermocouple:	None	Heater:	None
RTD:	None	Thermistor:	None
Thermostat:	None	Winding Thermocouple:	None
Bearing RTD:	None		

Table of Contents

Specification	01
Performance Characteristics	02
Outline Drawing	03
Connection Drawing(s)	04
Spare parts	05

Marks:

MODEL NUMBER:	5KS286BAA115
Outline Drawing:	4002B5828GAP5202
Connection Diagram:	GEM2034E-FIG9
Instruction Book:	GEI-56128
Design Code:	28BD0153A
Type:	KS
Frame:	286TS
Phases:	3
Poles:	2
Output Power:	30HP 22.2KW
RPM:	3545
Voltage:	230/460
Hertz:	60
Amps - FL:	65.4/32.7
Service Factor:	1.15
Alt Service Factor:	--

Estimated Weight:	510 Lbs
Time Rating:	CONT
Enclosure:	TEFC
Encl Construction:	GP
Ambient Max(°C):	40
Alt Ambient Max(°C):	--
Insulation Class:	F
NEMA Design:	B
Nominal Efficiency:	92.4 %
Guaranteed Efficiency:	91.0 %
3/4 Load Efficiency:	--
KVA Code:	G
Max KVAR:	4.2
Power Factor:	93.0
Bearing - DE:	6310ZC3
Bearing - ODE:	6310ZC3

Enclosure is Totally Enclosed Fan-Cooled

Stamped Nameplate Notes:

VT 0-60 HZ NEMA MG1-31; 208V-72.7A



Additional Information:

2P - TS EXTN
STANDARD FLOOR MOUNT
C/BOX 137 CU IN-1.50 NPT
F1 CONDUIT BOX MOUNTING
INVERTER DUTY PER NEMA MG1 PART 31
ALTERNATE RATING FOR PWM CONTROL:1.0SF 40C AMBIENT
VAR TORQUE RANGE 0-60 HZ
SUITABLE FOR 208V -72.7 AMPS WITH 1.00 SF



Performance Characteristics

1st Winding 1st Connection

Design: 28BD0153A

Marks:

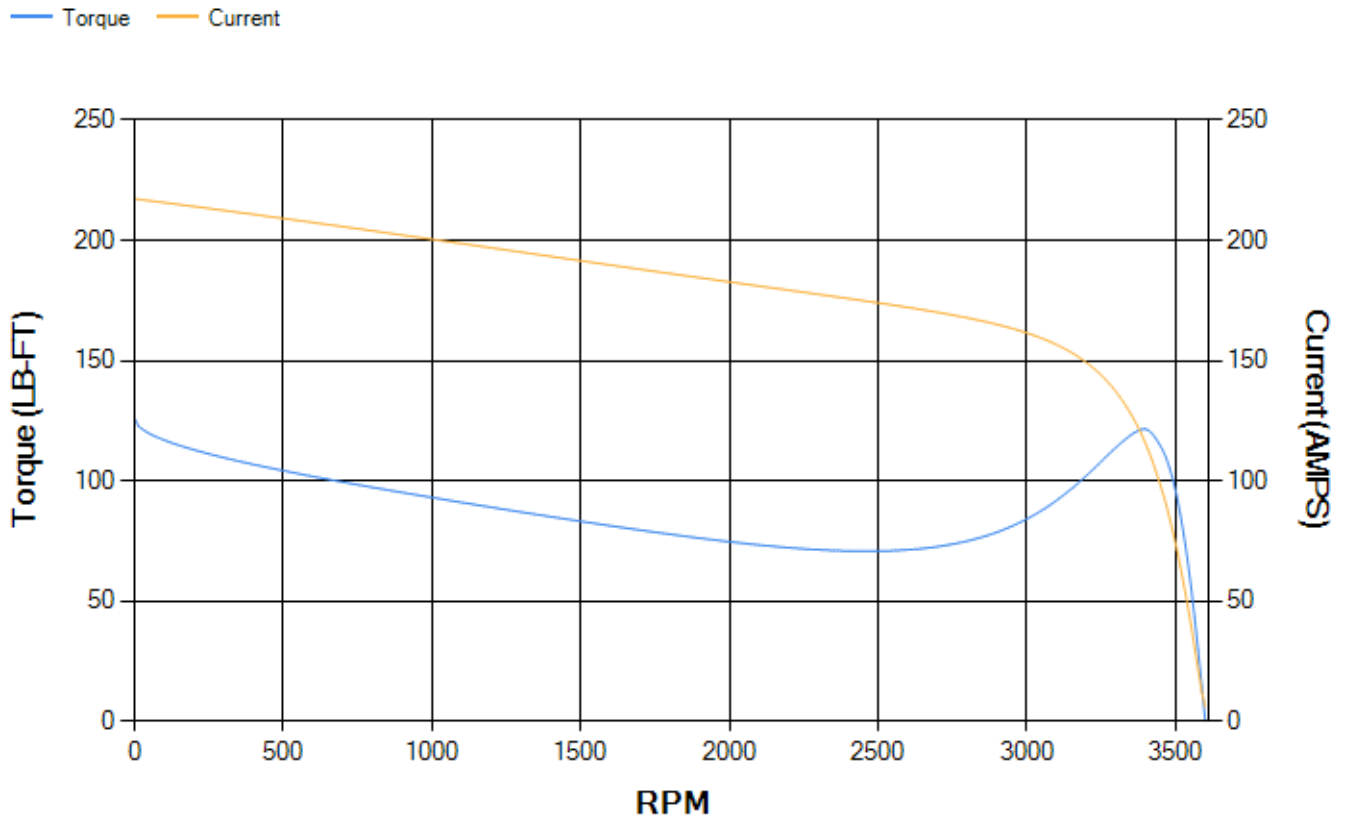
LOAD %	125.0	115.0	100.0	75.0	50.0	25.0	0.0
% EFF	91.42	91.93	92.8	93.37	93.42	91.04	0.00
% PF	92.39	92.67	92.86	92.31	89.4	76.93	9.66
AMPS	41.56	37.9	32.58	24.43	16.81	10.02	5.91

TORQ(FL)#FT	44.4	TORQ(LR)%FL	283.3	TORQ(BD)%FL	272.73
AMPS(LR)	217.28	PF AT START	0.43		

This motor is capable of two cold or one hot start with a maximum connected load inertia of 111 Lb-Ft Sq (4.67 Kg-meter Sq)at 100% voltage, where the load torque varies with the square of the speed. Acceleration time with maximum inertia and the above load type is 18 seconds. Safe stall time at 100% voltage is 38 seconds cold, 21 seconds hot. Rotor inertia is 3.21 Lb-Ft Sq (0.14 Kg-meter Sq).

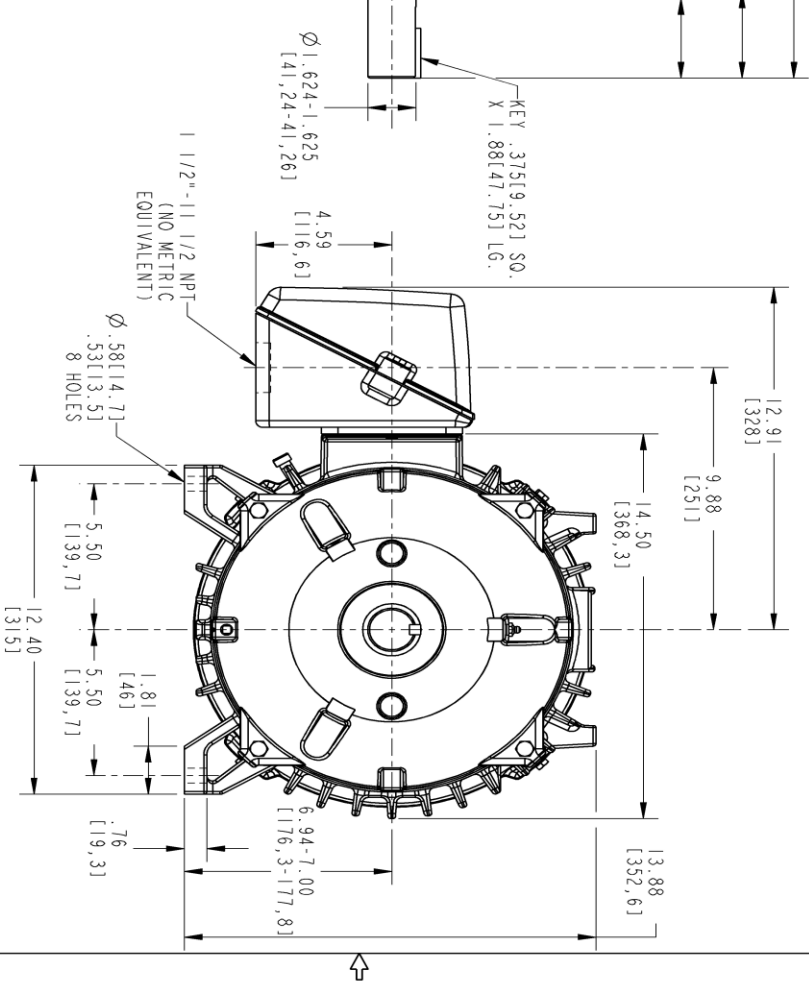
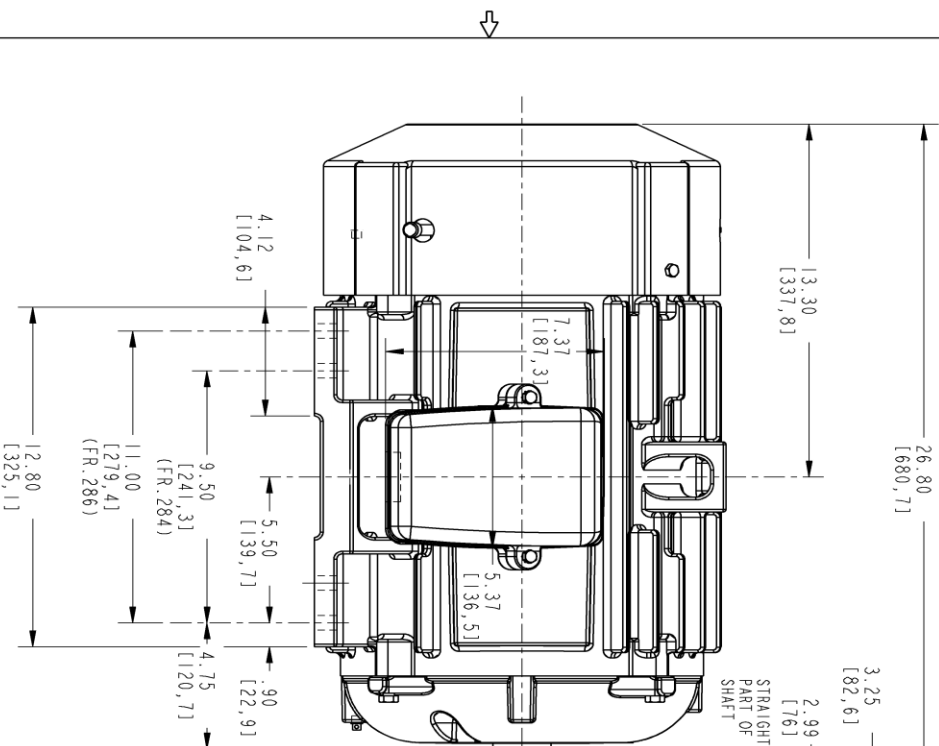
Open Circuit A-C:	1.035	Short Circuit D-C:	0.013
Short Circuit A-C:	0.025	X/R Ratio:	5.017
Stator Slots:	48	Rotor Slots:	38

Speed Torque Current Curve (First Connection, First Speed)



Marks:

NOTE 1: CONDUIT BOX MAY BE ASSEMBLED WITH ENTRANCE UP, DOWN OR TO EITHER SIDE.
 NOTE 2: F.I. ASSEMBLY AS SHOWN.
 NOTE 3: ALL DIMENSIONS ARE IN INCHES & BRACKETED DIMENSIONS ARE IN METRIC (MILLIMETERS)



PROPRIETARY INFORMATION

© COPYRIGHT 2018 Wolog Electric America LLC AND/OR ITS AFFILIATES. All rights reserved. This document and the information it contains is the property of Wolog Electric America LLC and/or its affiliates. It has been provided solely for the use of the recipient and is not to be distributed, copied, or otherwise transmitted in any form or by any means, electronic or mechanical, including photocopying, recording, or by any information storage and retrieval system, without the prior written permission of Wolog Electric America LLC. Any unauthorized use or disclosure is strictly prohibited except as expressly authorized in writing by Wolog Electric America LLC.

SIZE DRAWING NO. 4002B5828GAP5202

REV 0

REVISIONS

REV.	DESCRIPTION	DATE	APPROVED

THIRD ANGLE PROJECTION



SIGNATURES	DATE	 GE INDUSTRIAL MOTORS <i>a Wolog company</i>	INDUCTION MOTOR OUTLINE GP CONSTRUCTION FINE FR284/286TS TFC
MODEL	NARAYANA 09/24/21		
DETAIL	NARAYANA 09/24/21		
CREATED	DHETRAJ 09/24/21		
CHKD	DHETRAJ 09/24/21	TITLE	
DATE	09/24/21	SIZE DRAWING	
ISSID	NARAYANA 09/24/21	4002B5828GAP5202	
SOLID MODEL	4002B5828GAP5202	SCALE:	0.250
		REF. No.:	4002B5828GAP2221
		SHEET 1 OF 1	

Marks:

Connection Diagram
GEM2034E-FIG9



End shield Assembly		
Part Description	DE Side Part#	ODE Side Part#
End Shield	4004D5284PA1	4004D5284SB1
Bearing	235A2608AA01	235A2608AA01
Slinger/Inproseal	149C4399G03	

Fan & Fan Cover Assembly	
Part Description	Part#
Fan	159C6704G02
Fan Cover	4003C5799PB1

Conduit & Accessories Box Assembly	
Part Description	Part#
Conduit Box	4002B5728SH-G01

Mechanical Accessories	
Part Description	Part#
Brake	
Tachometer	

