



**GE INDUSTRIAL MOTORS**  
a **WOLONG** company

# Product Technical Information

February 17, 2023

Data shown is for the current revision model #. Ensure your nameplate model # matches.

<b>Model Number:</b>	<b>5KS365BAA205</b>
<b>Catalog Number:</b>	<b>M1195</b>
<b>Instruction Manual:</b>	GEI-56128
<b>Connection Diagram:</b>	GEM2034E-FIG9
<b>Outline Drawing:</b>	239CG200AD

## Accessory Connection Diagrams

<b>Bearing Thermocouple:</b>	None	<b>Heater:</b>	None
<b>RTD:</b>	None	<b>Thermistor:</b>	None
<b>Thermostat:</b>	None	<b>Winding Thermocouple:</b>	None
<b>Bearing RTD:</b>	None		

## Table of Contents

Specification	01
Performance Characteristics	02
Outline Drawing	03
Connection Drawing(s)	04
Spare parts	05

Marks:

<b>MODEL NUMBER:</b>	<b>5KS365BAA205</b>	<b>Estimated Weight:</b>	1020 Lbs
<b>Outline Drawing:</b>	239CG200AD	<b>Time Rating:</b>	CONT
<b>Connection Diagram:</b>	GEM2034E-FIG9	<b>Enclosure:</b>	TEFC
<b>Instruction Book:</b>	GEI-56128	<b>Encl Construction:</b>	GP
<b>Design Code:</b>	36BD1227A	<b>Ambient Max(°C):</b>	40
<b>Type:</b>	KS	<b>Alt Ambient Max(°C):</b>	--
<b>Frame:</b>	365T	<b>Insulation Class:</b>	F
<b>Phases:</b>	3	<b>NEMA Design:</b>	B
<b>Poles:</b>	4	<b>Nominal Efficiency:</b>	95.4 %
<b>Output Power:</b>	75HP 55.5KW	<b>Guaranteed Efficiency:</b>	--
<b>RPM:</b>	1785	<b>3/4 Load Efficiency:</b>	--
<b>Voltage:</b>	230/460	<b>KVA Code:</b>	G
<b>Hertz:</b>	60	<b>Max KVAR:</b>	26.6
<b>Amps - FL:</b>	178.4/89.2	<b>Power Factor:</b>	82.5
<b>Service Factor:</b>	1.15	<b>Bearing - DE:</b>	6314ZC3
<b>Alt Service Factor:</b>	--	<b>Bearing - ODE:</b>	6213ZC3

Enclosure is Totally Enclosed Fan-Cooled

---

Stamped Nameplate Notes:

VT 0-60 HZ NEMA MG1-31



**Additional Information:**

4P - T EXTN  
C/BOX 700 CU IN - 3.00" NPT  
F1 MOUNTING  
INVERTER DUTY PER NEMA MG1 PART 31  
ALTERNATE RATING FOR PWM CONTROL:1.0SF 40C AMBIENT  
VAR TORQUE RANGE 0-60 HZ



**Performance Characteristics**

1st Winding 1st Connection

**Design: 36BD1227A**

**Marks:**

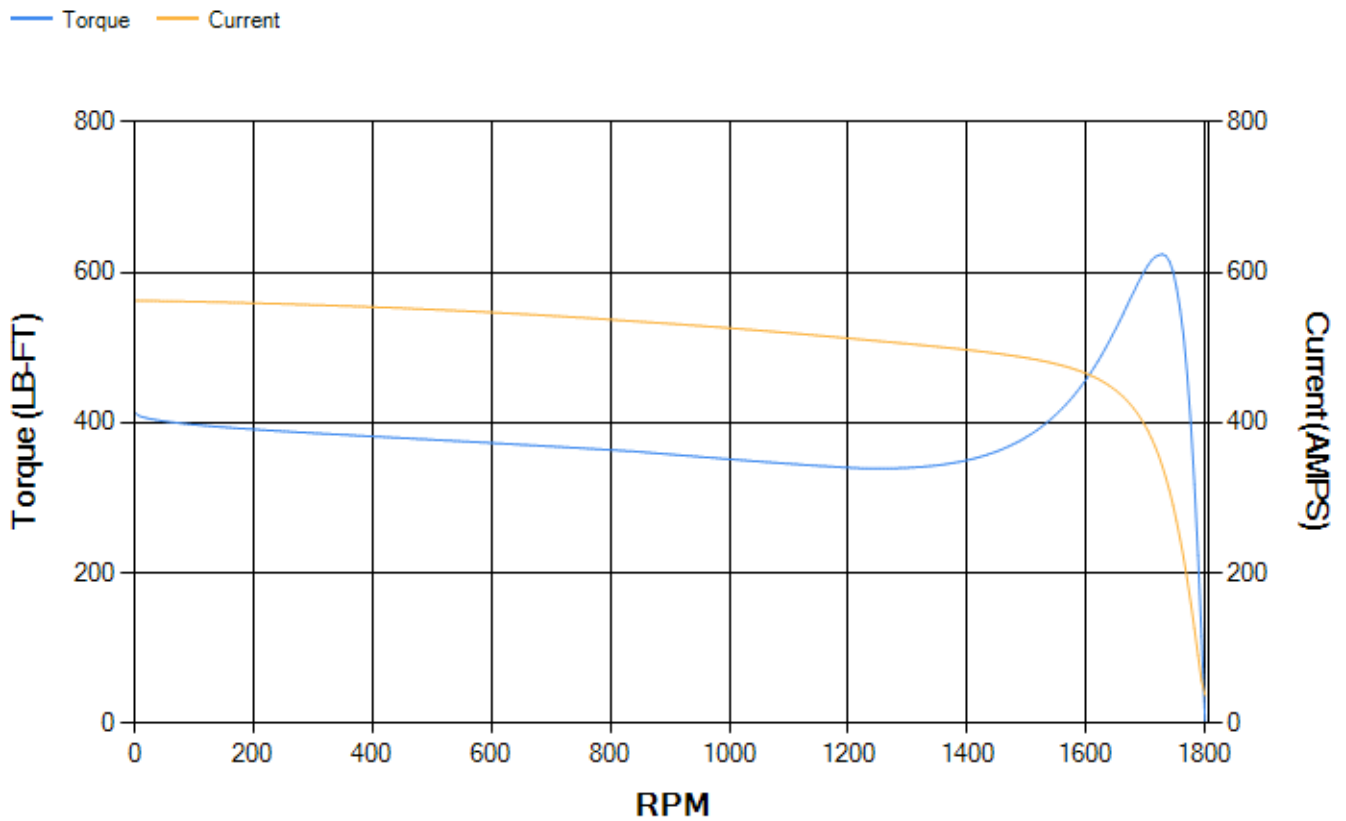
LOAD %	125.0	115.0	100.0	75.0	50.0	25.0	0.0
% EFF	94.85	95.06	95.52	95.53	95.19	92.82	0.00
% PF	84.6	83.94	82.4	77.53	67	44.19	2.93
AMPS	109.35	101.17	89	71.08	55.03	42.78	37.09

<b>TORQ(FL)#FT</b>	220.86	<b>TORQ(LR)%FL</b>	187.39	<b>TORQ(BD)%FL</b>	281.77
<b>AMPS(LR)</b>	562.56	<b>PF AT START</b>	0.32		

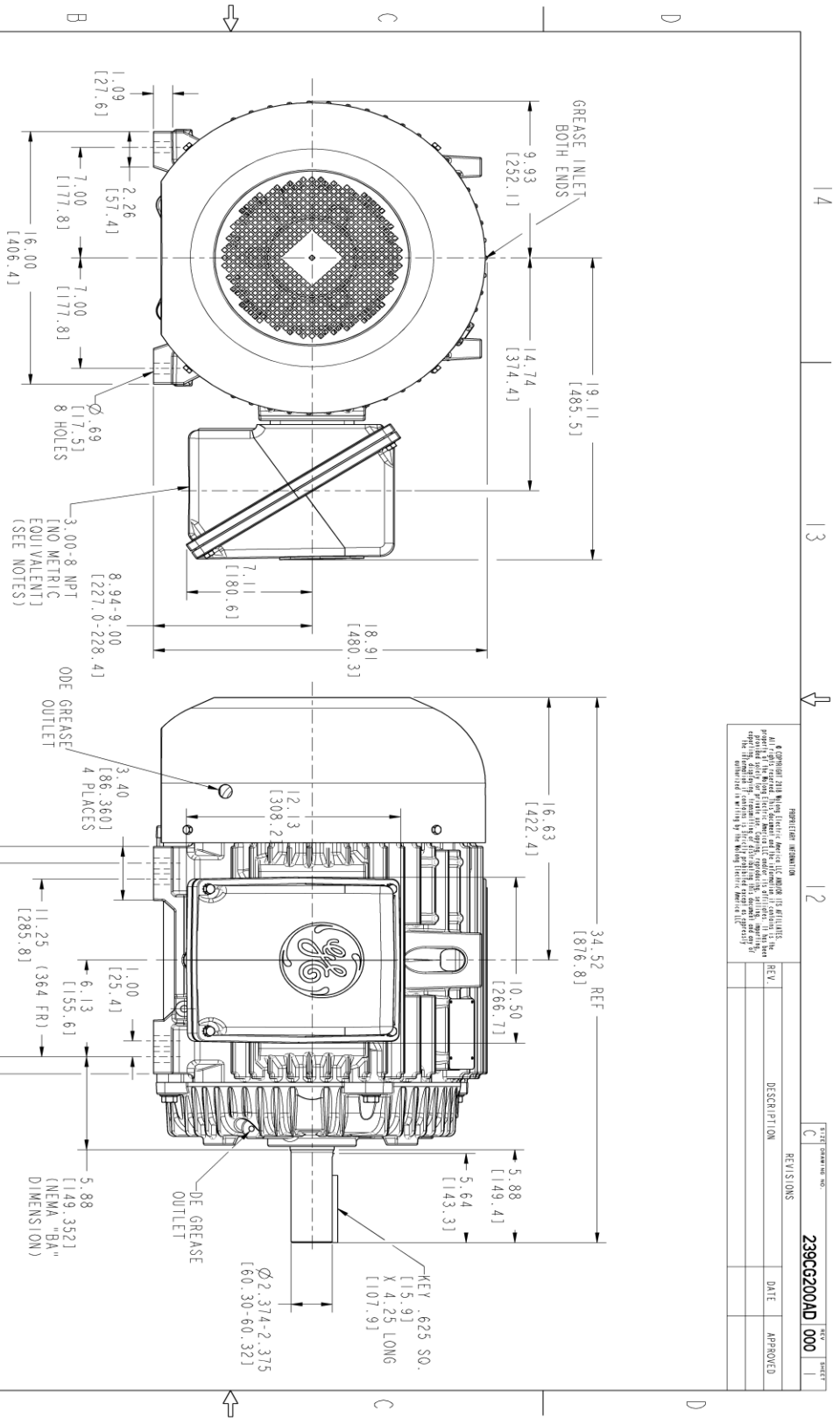
This motor is capable of two cold or one hot start with a maximum connected load inertia of 1432 Lb-Ft Sq (60.29 Kg-meter Sq) at 100% voltage, where the load torque varies with the square of the speed. Acceleration time with maximum inertia and the above load type is 27 seconds. Safe stall time at 100% voltage is 65 seconds cold, 32 seconds hot. Rotor inertia is 15.13 Lb-Ft Sq (0.64 Kg-meter Sq).

<b>Open Circuit A-C:</b>	0.625	<b>Short Circuit D-C:</b>	0.025
<b>Short Circuit A-C:</b>	0.034	<b>X/R Ratio:</b>	9.412
<b>Stator Slots:</b>	60	<b>Rotor Slots:</b>	50

**Speed Torque Current Curve (First Connection, First Speed)**



Marks:



REVISION INFORMATION

REV.	DESCRIPTION	DATE	APPROVED
C	REVISED		

TITLE DRAWING NO. 239CG200AD 000

NOTES :

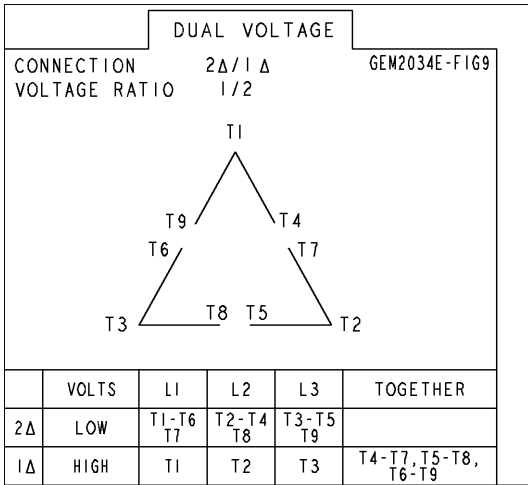
1. CONDUIT BOX MAY BE PLACED WITH THE ENTRANCE DOWN, UP OR ON EITHER SIDE.
2. F-1 ASM AS SHOWN.
3. ALL DIMENSIONS ARE IN INCHES & BRACKETED DIMENSIONS ARE METRIC (MILLIMETERS).



SIGNATURES	DATE	GE INDUSTRIAL MOTORS
MODEL: UTKASMA 12/09/21		<p><b>GE INDUSTRIAL MOTORS</b> a WOLONG company</p> <p><b>OUTLINE</b> GP CONSTRUCTION</p> <p>364/365T TERC. 700 CU. IN. C-BOX</p> <p><b>239CG200AD</b></p> <p>REV</p>
DESIGNER: UTKASMA 12/09/21		
CHECKED: KALIDAS 12/09/21		
DATE: KALIDAS 12/09/21		
QUALITY: -		SIZE: DRAWING: C
ISSUED: UTKASMA 12/09/21		SCALE: 0.240
SOLD MODEL: 239CG200AD		REF. NO.: 239CG200AD
		SHEET 1 OF 1

Marks:

**Connection Diagram**  
**GEM2034E-FIG9**



End shield Assembly		
Part Description	DE Side Part#	ODE Side Part#
End Shield	115E4250AA1	115E4251ZA1
Bearing	235A2616AA01	235A2617AA01
Slinger/Inproseal	149C4399G05	

Fan & Fan Cover Assembly	
Part Description	Part#
Fan	159C7100AA1
Fan Cover	128D6853AA1

Conduit & Accessories Box Assembly	
Part Description	Part#
Conduit Box	118D4408AD2

Mechanical Accessories	
Part Description	Part#
Brake	
Tachometer	

