



GE INDUSTRIAL MOTORS
a **WOLONG** company

Product Technical Information

September 8, 2022

Data shown is for the current revision model #. Ensure your nameplate model # matches.

Model Number:	5KS182BAA205
Catalog Number:	M1241
Instruction Manual:	GEI-56128
Connection Diagram:	GEM2034E-FIG3
Outline Drawing:	4002B5818GAP5201

Accessory Connection Diagrams

Bearing Thermocouple:	None	Heater:	None
RTD:	None	Thermistor:	None
Thermostat:	None	Winding Thermocouple:	None
Bearing RTD:	None		

Table of Contents

Specification	01
Performance Characteristics	02
Outline Drawing	03
Connection Drawing(s)	04
Spare parts	05

Marks:

MODEL NUMBER: 5KS182BAA205
Outline Drawing: 4002B5818GAP5201
Connection Diagram: GEM2034E-FIG3
Instruction Book: GEI-56128
Design Code: 18BD1124AA
Type: KS
Frame: 182T
Phases: 3
Poles: 4
Output Power: 3HP 2.2KW
RPM: 1765
Voltage: 230/460
Hertz: 60
Amps - FL: 8.0/4.0
Service Factor: 1.15
Alt Service Factor: --

Estimated Weight: 76 Lbs
Time Rating: CONT
Enclosure: TEFC
Encl Construction: GP
Ambient Max(°C): 40
Alt Ambient Max(°C): --
Insulation Class: F
NEMA Design: B
Nominal Efficiency: 89.5 %
Guaranteed Efficiency: 87.5 %
3/4 Load Efficiency: --
KVA Code: K
Max KVAR: 1.3
Power Factor: 78.0
Bearing - DE: 6206-2ZC3
Bearing - ODE: 6206-2ZC3

Enclosure is Totally Enclosed Fan-Cooled

Stamped Nameplate Notes:

VT 0-60 HZ NEMA MG1-31; 208V-8.4A



Additional Information:

4P - T EXTN
STANDARD FLOOR MOUNT
C/BOX 30 CU IN-0.75 NPT
F1 CONDUIT BOX MOUNTING
INVERTER DUTY PER NEMA MG1 PART 31
ALTERNATE RATING FOR PWM CONTROL:1.0SF 40C AMBIENT
VAR TORQUE RANGE 0-60 HZ
SUITABLE FOR 208V-8.4 AMPS WITH 1.15 SF



Performance Characteristics

1st Winding 1st Connection

Design: 18BD1124AA

Marks:

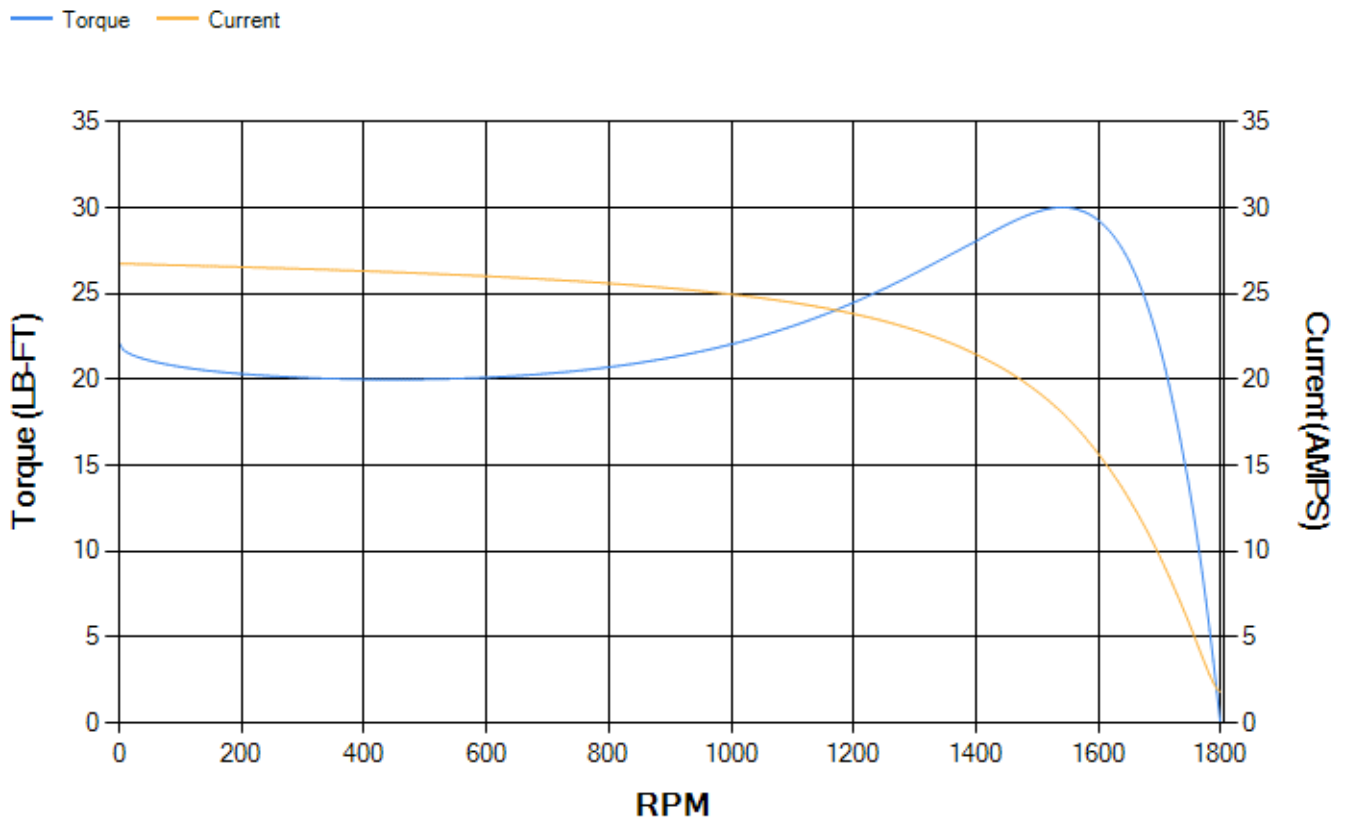
LOAD %	125.0	115.0	100.0	75.0	50.0	25.0	0.0
% EFF	88.75	89.13	89.75	89.66	88.36	82.35	0.00
% PF	81.25	80.3	79.69	72.28	60.86	39.83	7.34
AMPS	4.87	4.51	3.93	3.25	2.61	2.14	1.82

TORQ(FL)#FT	8.93	TORQ(LR)%FL	247.74	TORQ(BD)%FL	333.6
AMPS(LR)	26.76	PF AT START	0.52		

This motor is capable of two cold or one hot start with a maximum connected load inertia of 160 Lb-Ft Sq (6.74 Kg-meter Sq)at 100% voltage, where the load torque varies with the square of the speed. Acceleration time with maximum inertia and the above load type is 47 seconds. Safe stall time at 100% voltage is 105 seconds cold, 83 seconds hot. Rotor inertia is 0.28 Lb-Ft Sq (0.01 Kg-meter Sq).

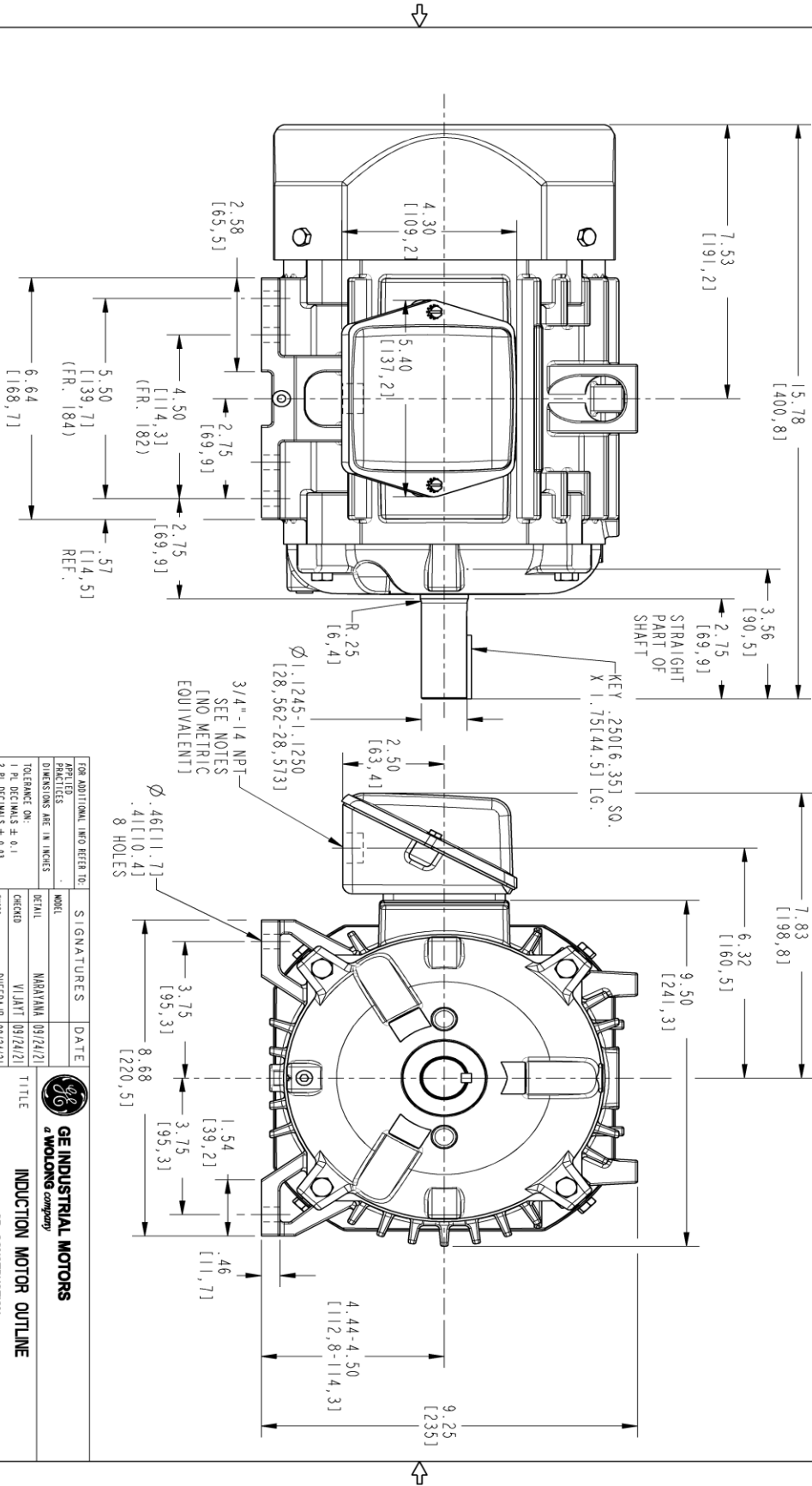
Open Circuit A-C:	0.27	Short Circuit D-C:	0.009
Short Circuit A-C:	0.014	X/R Ratio:	3.257
Stator Slots:	36	Rotor Slots:	28

Speed Torque Current Curve (First Connection, First Speed)



Marks:

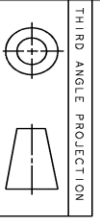
NOTE 1: CONDUIT BOX MAY BE ASSEMBLED WITH ENTRANCE UP, DOWN OR TO EITHER SIDE.
 NOTE 2: FI ASSEMBLY AS SHOWN.
 NOTE 3: ALL DIMENSIONAL ARE IN INCHES AND BRACKETED DIMENSIONS ARE IN METRIC [mm].



PROPRIETARY INFORMATION
 © COPYRIGHT 2018 Wolog Electric America LLC AND/OR ITS AFFILIATES. All rights reserved. This document and the information it contains is the property of the Wolog Electric America LLC and/or its affiliates. It has been provided solely for your internal use only. Reproduction, distribution, or use of this information without the express written consent of the Wolog Electric America LLC is strictly prohibited except as expressly authorized in writing by the Wolog Electric America LLC.

REV.	DESCRIPTION	DATE	APPROVED

SIZE	DRAWING NO.	REV	SHEET
B	4002B5818GAP5201	0	1



FOR ADDITIONAL INFO REFER TO:		SIGNATURES		DATE	
APPLICABLE SPECIFICATIONS	DETAIL				
DIMENSIONS ARE IN INCHES	GENERAL				
TOLERANCE ON:	ORDERED				
1 PL. DECIMALS ± 0.1					
2 PL. DECIMALS ± 0.03					
3 PL. DECIMALS ± 0.010					
ANGLES ± 0.5					
FRACTIONS ±					
FINISH					
MATERIAL	ISSUED				
Part must conform to SI 900000					
Spec. 47, Toxicity Procedure					

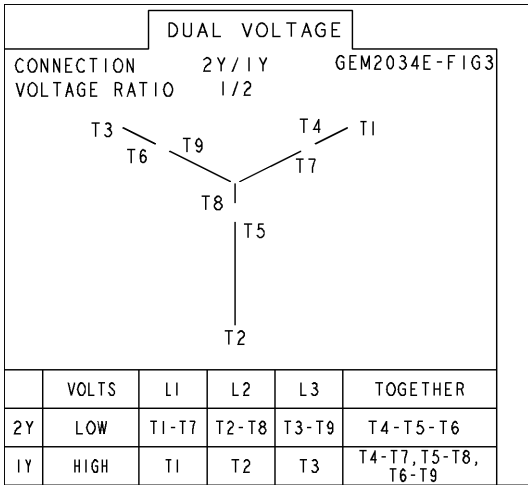


INDUCTION MOTOR OUTLINE
 GP CONSTRUCTION
 FIVE FR. 182/184 T TFC

SCALE: 0.400	REF. No.: 4002B5818GAP5201	SHEET 1 of 1
--------------	----------------------------	--------------

Marks:

Connection Diagram
GEM2034E-FIG3



End shield Assembly		
Part Description	DE Side Part#	ODE Side Part#
End Shield	4004D5281PA1	4004D5281SB1
Bearing	235A2602AA02	235A2602AA02
Slinger/Inproseal	149C4399G16	

Fan & Fan Cover Assembly	
Part Description	Part#
Fan	346L620AN-G01
Fan Cover	4003C5807PA1

Conduit & Accessories Box Assembly	
Part Description	Part#
Conduit Box	4002B5718PX-G01

Mechanical Accessories	
Part Description	Part#
Brake	
Tachometer	

