



GE INDUSTRIAL MOTORS
a **WOLONG** company

Product Technical Information

September 8, 2022

Data shown is for the current revision model #. Ensure your nameplate model # matches.

Model Number:	5KS143BAA105
Catalog Number:	M1486
Instruction Manual:	GEI-56128
Connection Diagram:	GEM2034E-FIG3
Outline Drawing:	4002B5814GAP5201

Accessory Connection Diagrams

Bearing Thermocouple:	None	Heater:	None
RTD:	None	Thermistor:	None
Thermostat:	None	Winding Thermocouple:	None
Bearing RTD:	None		

Table of Contents

Specification	01
Performance Characteristics	02
Outline Drawing	03
Connection Drawing(s)	04
Spare parts	05

Marks:

MODEL NUMBER:	5KS143BAA105	Estimated Weight:	43 Lbs
Outline Drawing:	4002B5814GAP5201	Time Rating:	CONT
Connection Diagram:	GEM2034E-FIG3	Enclosure:	TEFC
Instruction Book:	GEI-56128	Encl Construction:	GP
Design Code:	14BD0040A	Ambient Max(°C):	40
Type:	KS	Alt Ambient Max(°C):	--
Frame:	143T	Insulation Class:	F
Phases:	3	NEMA Design:	B
Poles:	2	Nominal Efficiency:	84.0 %
Output Power:	1.5HP 1.1KW	Guaranteed Efficiency:	81.5 %
RPM:	3495	3/4 Load Efficiency:	--
Voltage:	230/460	KVA Code:	M
Hertz:	60	Max KVAR:	0.7
Amps - FL:	4.2/2.1	Power Factor:	79.0
Service Factor:	1.15	Bearing - DE:	6205-2ZC3
Alt Service Factor:	--	Bearing - ODE:	6205-2ZC3

Enclosure is Totally Enclosed Fan-Cooled

Stamped Nameplate Notes:

VT 0-60 HZ NEMA MG1-31; 208V-4.4A



Additional Information:

2P - T EXTN
STANDARD FLOOR MOUNT
C/BOX 30 CU IN-0.75 NPT
F1 CONDUIT BOX MOUNTING
INVERTER DUTY PER NEMA MG1 PART 31
ALTERNATE RATING FOR PWM CONTROL:1.0SF 40C AMBIENT
VAR TORQUE RANGE 0-60 HZ
SUITABLE FOR 208V -4.4 AMPS WITH 1.15 SF



Performance Characteristics

1st Winding 1st Connection

Design: 14BD0040A

Marks:

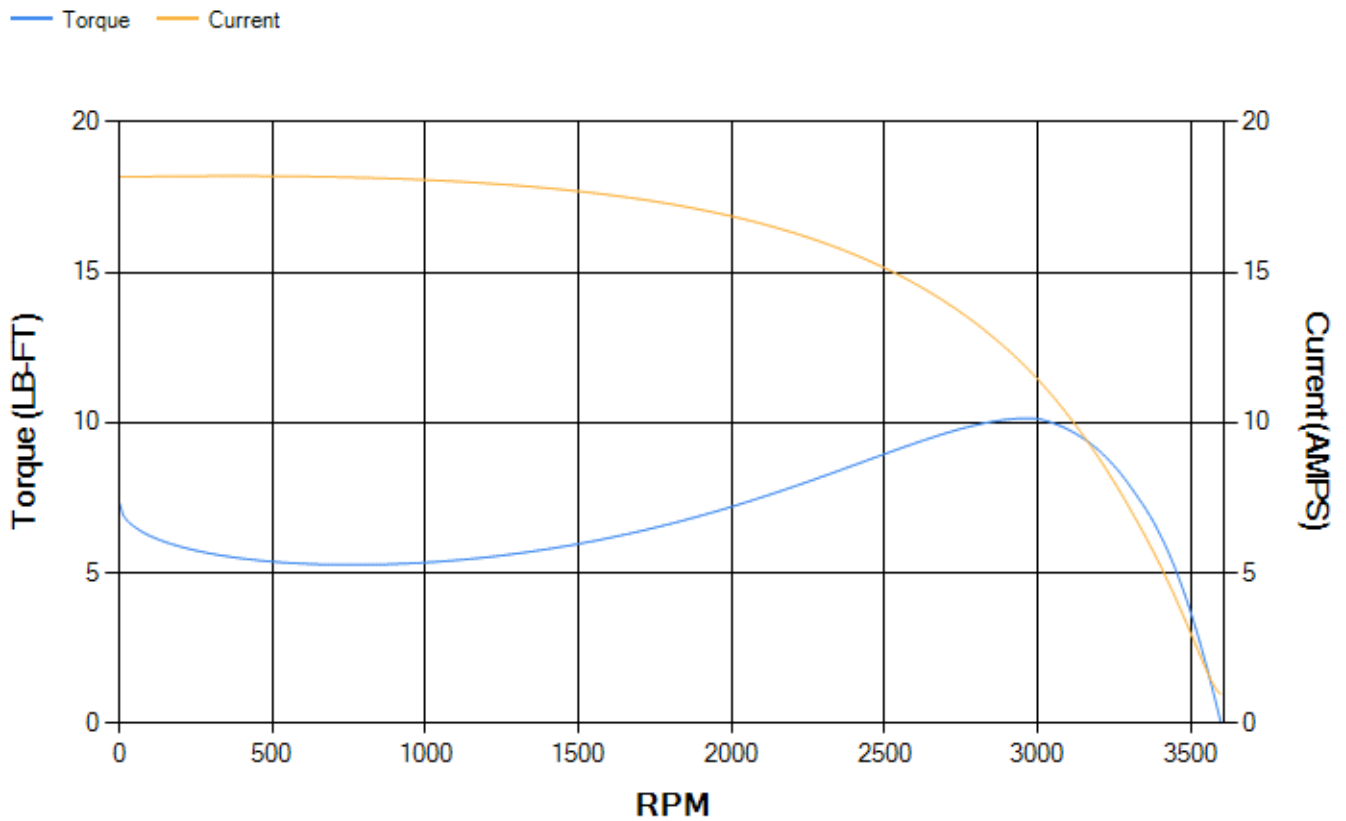
LOAD %	125.0	115.0	100.0	75.0	50.0	25.0	0.0
% EFF	84.06	84.32	84.67	83.83	80.98	71.27	0.00
% PF	83	81.57	82.69	71.62	59.46	39.52	12.53
AMPS	2.52	2.35	1.99	1.75	1.46	1.25	0.96

TORQ(FL)#FT	2.23	TORQ(LR)%FL	328.14	TORQ(BD)%FL	443.62
AMPS(LR)	18.18	PF AT START	0.57		

This motor is capable of two cold or one hot start with a maximum connected load inertia of 12 Lb-Ft Sq (0.51 Kg-meter Sq)at 100% voltage, where the load torque varies with the square of the speed. Acceleration time with maximum inertia and the above load type is 23 seconds. Safe stall time at 100% voltage is 50 seconds cold, 37 seconds hot. Rotor inertia is 0.04 Lb-Ft Sq (0 Kg-meter Sq).

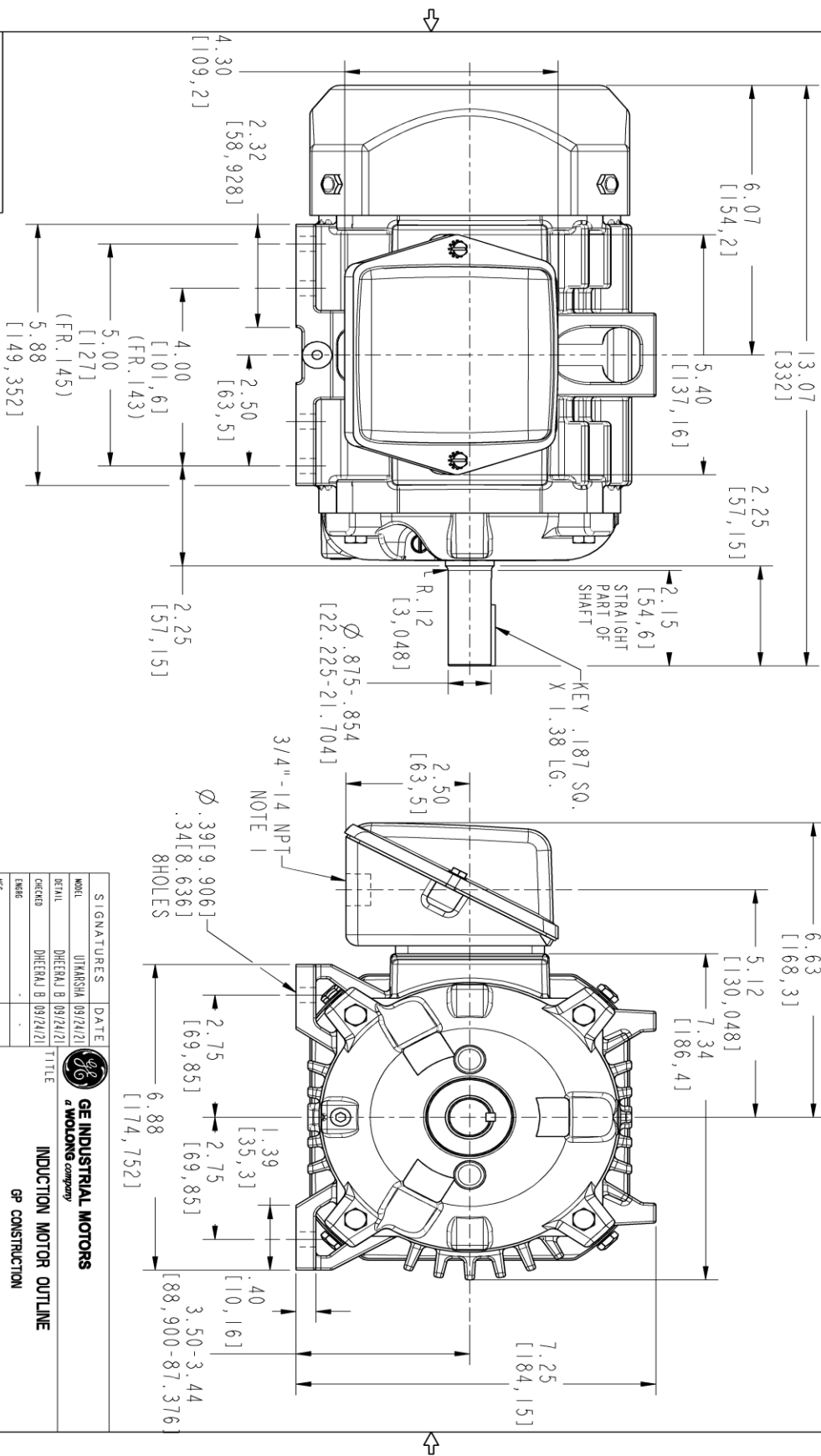
Open Circuit A-C:	0.254	Short Circuit D-C:	0.005
Short Circuit A-C:	0.01	X/R Ratio:	1.805
Stator Slots:	24	Rotor Slots:	34

Speed Torque Current Curve (First Connection, First Speed)



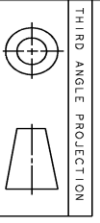
Marks:

NOTE 1: CONDUIT BOX MAY BE ASSEMBLED WITH ENTRANCE UP, DOWN OR TO EITHER SIDE.
NOTE 2: F1 ASSEMBLY AS SHOWN.



PROPRIETARY INFORMATION
All rights reserved. This document and the information it contains is the property of the Motrol Electric America LLC and/or its affiliates. It has been provided solely for transmission for design purposes and is not to be used for any other purpose. Reproduction or distribution of this document and any of its contents without the express written permission of the Motrol Electric America LLC is strictly prohibited except as expressly authorized in writing by the Motrol Electric America LLC.

REV.	DESCRIPTION	DATE	APPROVED
000			



SIGNATURES	DATE
UTAKASHA [09/24/21]	
DHEEMAJ B [09/24/21]	
DHEEMAJ B [09/24/21]	
ENG	
QC	
ISSUED	
SOLID MODEL: 4002B5814GAP5201	

TITLE	SCALE:
INDUCTION MOTOR OUTLINE	0.500
GP CONSTRUCTION	
FIN: FR 143/45 T TFC	

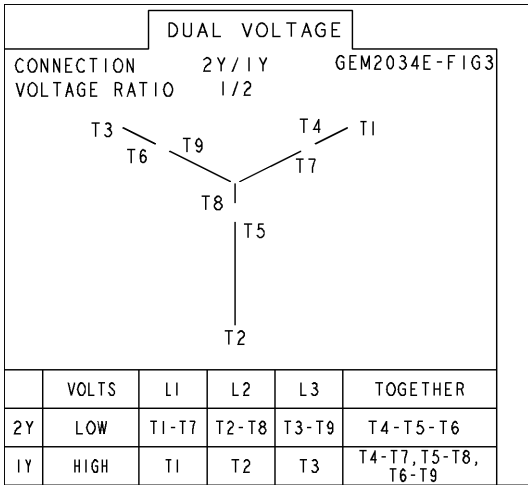
REV	DESCRIPTION
000	



4002B5814GAP5201
000

Marks:

Connection Diagram
GEM2034E-FIG3



End shield Assembly		
Part Description	DE Side Part#	ODE Side Part#
End Shield	4004D5280PA1	4004D5280SB1
Bearing	235A2600AA02	235A2600AA02
Slinger/Inproseal	149C4399G15	

Fan & Fan Cover Assembly	
Part Description	Part#
Fan	4001A5914AM-G01
Fan Cover	4003C5808PA1

Conduit & Accessories Box Assembly	
Part Description	Part#
Conduit Box	4002B5718PX-G01

Mechanical Accessories	
Part Description	Part#
Brake	
Tachometer	

