



GE INDUSTRIAL MOTORS
a **WOLONG** company

Product Technical Information

September 8, 2022

Data shown is for the current revision model #. Ensure your nameplate model # matches.

Model Number:	5KS145BAA205
Catalog Number:	M1488
Instruction Manual:	GEI-56128
Connection Diagram:	GEM2034E-FIG3
Outline Drawing:	4002B5814GAP5201

Accessory Connection Diagrams

Bearing Thermocouple:	None	Heater:	None
RTD:	None	Thermistor:	None
Thermostat:	None	Winding Thermocouple:	None
Bearing RTD:	None		

Table of Contents

Specification	01
Performance Characteristics	02
Outline Drawing	03
Connection Drawing(s)	04
Spare parts	05

Marks:

MODEL NUMBER:	5KS145BAA205
Outline Drawing:	4002B5814GAP5201
Connection Diagram:	GEM2034E-FIG3
Instruction Book:	GEI-56128
Design Code:	14BD1093A
Type:	KS
Frame:	145T
Phases:	3
Poles:	4
Output Power:	2HP 1.5KW
RPM:	1715
Voltage:	230/460
Hertz:	60
Amps - FL:	5.4/2.7
Service Factor:	1.15
Alt Service Factor:	--

Estimated Weight:	50 Lbs
Time Rating:	CONT
Enclosure:	TEFC
Encl Construction:	GP
Ambient Max(°C):	40
Alt Ambient Max(°C):	--
Insulation Class:	F
NEMA Design:	B
Nominal Efficiency:	86.5 %
Guaranteed Efficiency:	84.0 %
3/4 Load Efficiency:	--
KVA Code:	L
Max KVAR:	1.0
Power Factor:	79.0
Bearing - DE:	6205-2ZC3
Bearing - ODE:	6205-2ZC3

Enclosure is Totally Enclosed Fan-Cooled

Stamped Nameplate Notes:

VT 0-60 HZ NEMA MG1-31; 208V-5.7A



Additional Information:

4P - T EXTN
STANDARD FLOOR MOUNT
C/BOX 30 CU IN-0.75 NPT
F1 CONDUIT BOX MOUNTING
INVERTER DUTY PER NEMA MG1 PART 31
ALTERNATE RATING FOR PWM CONTROL:1.0SF 40C AMBIENT
VAR TORQUE RANGE 0-60 HZ
SUITABLE FOR 208V-5.7 AMPS WITH 1.15 SF



Performance Characteristics

1st Winding 1st Connection

Design: 14BD1093A

Marks:

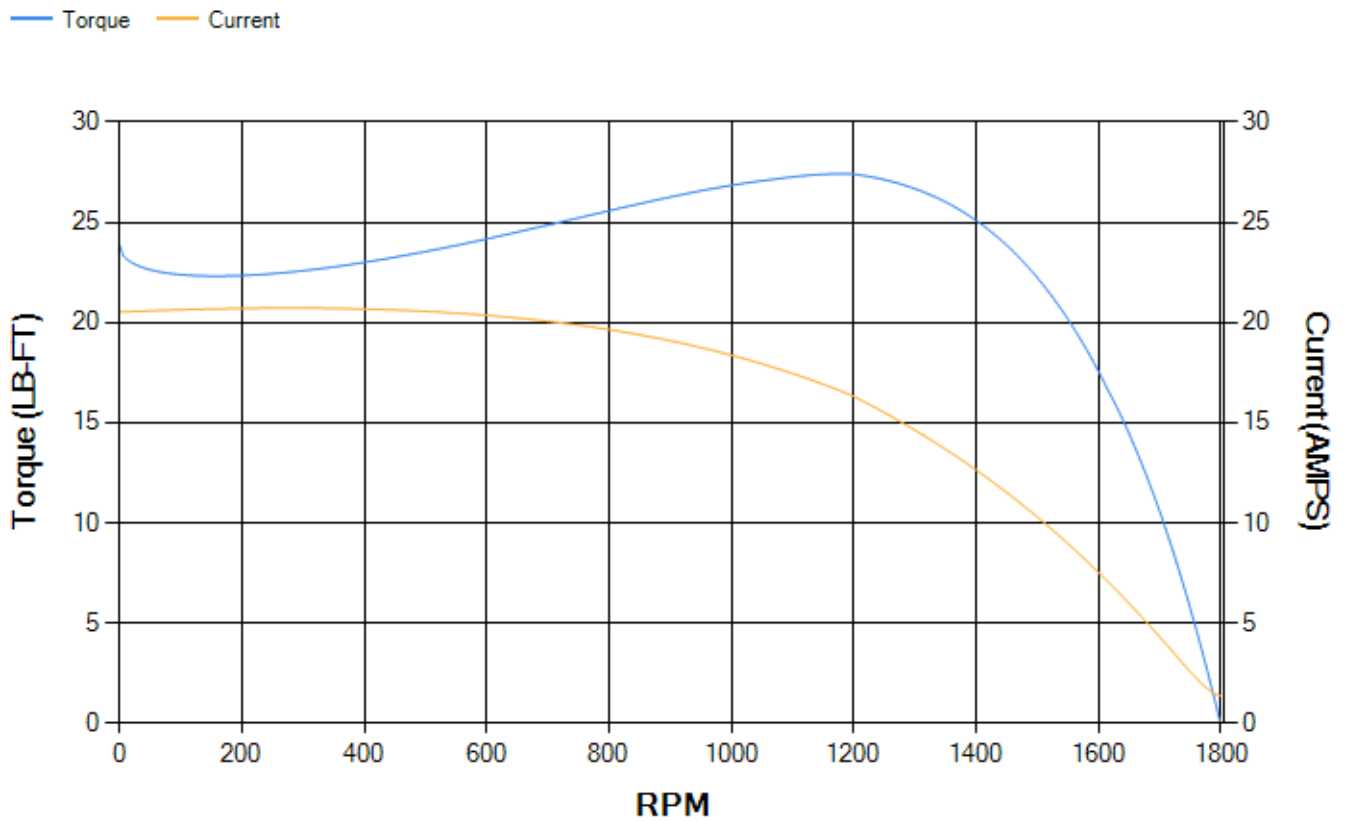
LOAD %	125.0	115.0	100.0	75.0	50.0	25.0	0.0
% EFF	85.06	85.68	86.62	86.99	85.95	79.66	0.00
% PF	83.3	81.76	80.21	71.16	58.19	36.97	7.22
AMPS	3.3	3.07	2.68	2.27	1.87	1.59	1.37

TORQ(FL)#FT	6.05	TORQ(LR)%FL	394.27	TORQ(BD)%FL	436.52
AMPS(LR)	20.52	PF AT START	0.68		

This motor is capable of two cold or one hot start with a maximum connected load inertia of 105 Lb-Ft Sq (4.42 Kg-meter Sq)at 100% voltage, where the load torque varies with the square of the speed. Acceleration time with maximum inertia and the above load type is 28 seconds. Safe stall time at 100% voltage is 59 seconds cold, 44 seconds hot. Rotor inertia is 0.12 Lb-Ft Sq (0.01 Kg-meter Sq).

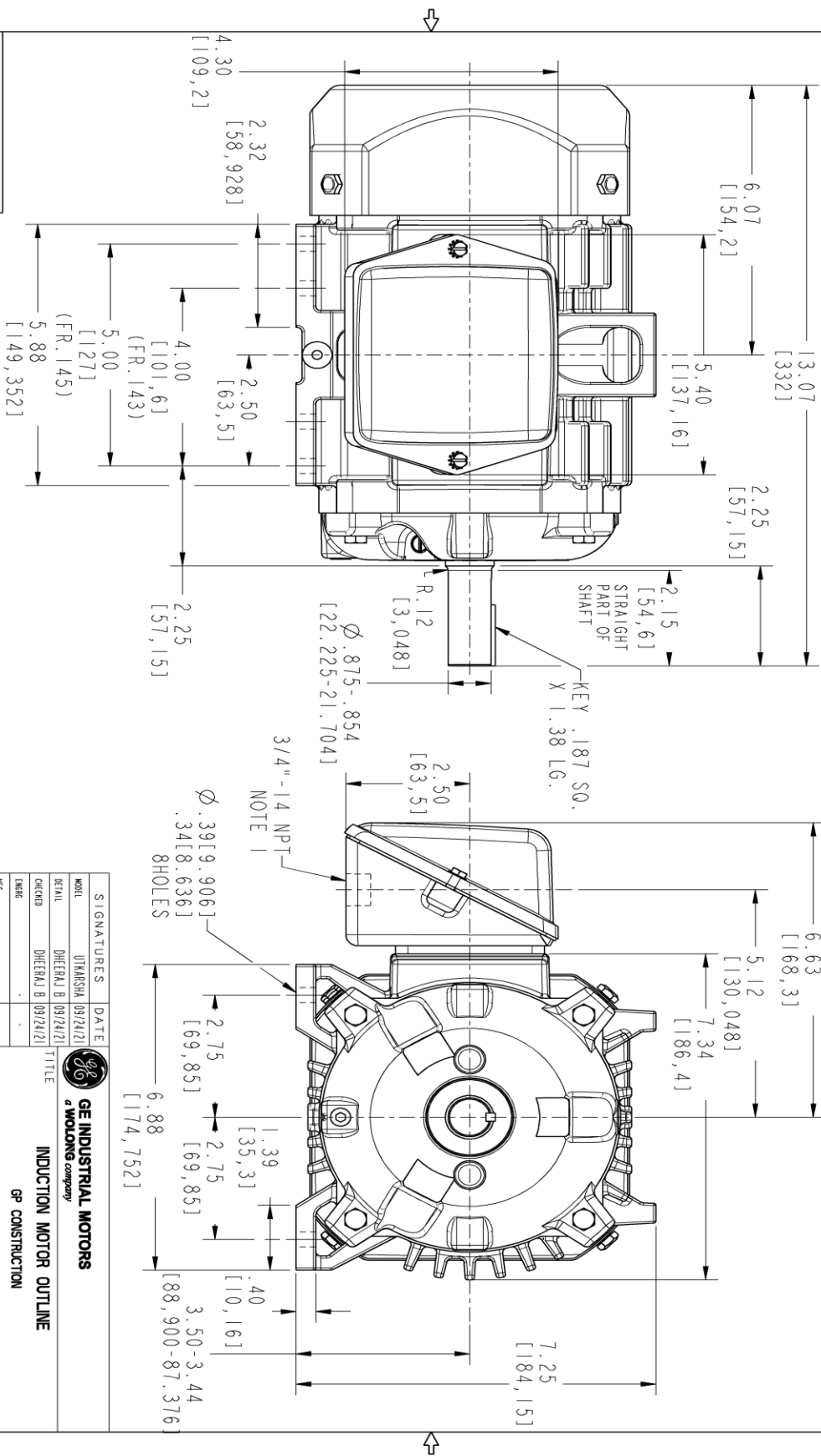
Open Circuit A-C:	0.129	Short Circuit D-C:	0.005
Short Circuit A-C:	0.005	X/R Ratio:	1.753
Stator Slots:	36	Rotor Slots:	48

Speed Torque Current Curve (First Connection, First Speed)



Marks:

NOTE 1: CONDUIT BOX MAY BE ASSEMBLED WITH ENTRANCE UP, DOWN OR TO EITHER SIDE.
NOTE 2: FI ASSEMBLY AS SHOWN.



PROPRIETARY INFORMATION
All rights reserved. This document and the information it contains is the property of the Motorg Electric America LLC and/or its affiliates. It has been provided solely for transmission for design and engineering purposes. No other use, reproduction, or distribution is strictly prohibited except as expressly authorized in writing by the Motorg Electric America LLC.

REV.	DESCRIPTION	DATE	APPROVED
000			



THIRD ANGLE PROJECTION

SIGNATURES	DATE	TITLE
UTAKASHA [09/24/21]		INDUCTION MOTOR OUTLINE
DHEEMAJ B [09/24/21]		GP CONSTRUCTION
DHEEMAJ B [09/24/21]		FILE: FR 143/45 T 1EFC
ENG		
QUALITY		
ISSUED		
SOLID MODEL: 4002B5814GAP5201		



INDUCTION MOTOR OUTLINE

GP CONSTRUCTION

FILE: FR 143/45 T 1EFC

4002B5814GAP5201

SCALE: 0.500 REF. No.: 4002B5814GAP5201

SHEET 1 OF 1

Marks:

Connection Diagram
GEM2034E-FIG3



End shield Assembly		
Part Description	DE Side Part#	ODE Side Part#
End Shield	4004D5280PA1	4004D5280SB1
Bearing	235A2600AA02	235A2600AA02
Slinger/Inproseal	149C4399G15	

Fan & Fan Cover Assembly	
Part Description	Part#
Fan	4001A5914AM-G01
Fan Cover	4003C5808PA1

Conduit & Accessories Box Assembly	
Part Description	Part#
Conduit Box	4002B5718PX-G01

Mechanical Accessories	
Part Description	Part#
Brake	
Tachometer	

