



**GE INDUSTRIAL MOTORS**  
a **WOLONG** company

# Product Technical Information

February 17, 2023

Data shown is for the current revision model #. Ensure your nameplate model # matches.

<b>Model Number:</b>	<b>5KS444BAA118</b>
<b>Catalog Number:</b>	<b>M1511</b>
<b>Instruction Manual:</b>	GEI-56128
<b>Connection Diagram:</b>	GEM2034E-FIG7
<b>Outline Drawing:</b>	239CG700AB

## Accessory Connection Diagrams

<b>Bearing Thermocouple:</b>	None	<b>Heater:</b>	None
<b>RTD:</b>	None	<b>Thermistor:</b>	None
<b>Thermostat:</b>	None	<b>Winding Thermocouple:</b>	None
<b>Bearing RTD:</b>	None		

## Table of Contents

Specification	01
Performance Characteristics	02
Outline Drawing	03
Connection Drawing(s)	04
Spare parts	05

Marks:

<b>MODEL NUMBER:</b>	<b>5KS444BAA118</b>
Outline Drawing:	239CG700AB
Connection Diagram:	GEM2034E-FIG7
Instruction Book:	GEI-56128
Design Code:	44BD0274A
Type:	KS
Frame:	444TS
Phases:	3
Poles:	2
Output Power:	125HP 92.5KW
RPM:	3580
Voltage:	460
Hertz:	60
Amps - FL:	138.0
Service Factor:	1.15
Alt Service Factor:	--

<b>Estimated Weight:</b>	1900 Lbs
<b>Time Rating:</b>	CONT
<b>Enclosure:</b>	TEFC
<b>Encl Construction:</b>	GP
<b>Ambient Max(°C):</b>	40
<b>Alt Ambient Max(°C):</b>	--
<b>Insulation Class:</b>	F
<b>NEMA Design:</b>	B
<b>Nominal Efficiency:</b>	95.0 %
<b>Guaranteed Efficiency:</b>	--
<b>3/4 Load Efficiency:</b>	--
<b>KVA Code:</b>	G
<b>Max KVAR:</b>	27.3
<b>Power Factor:</b>	89.5
<b>Bearing - DE:</b>	6314ZC3
<b>Bearing - ODE:</b>	6314ZC3

Enclosure is Totally Enclosed Fan-Cooled

---

Stamped Nameplate Notes:

VT 0-60 HZ NEMA MG1-31



**Additional Information:**

2P - TS EXTN  
C/BOX 700 CU IN - 3.00" NPT  
F1 MOUNTING  
INVERTER DUTY PER NEMA MG1 PART 31  
ALTERNATE RATING FOR PWM CONTROL:1.0SF 40C AMBIENT  
VAR TORQUE RANGE 0-60 HZ



**Performance Characteristics**

1st Winding 1st Connection

**Design: 44BD0274A**

**Marks:**

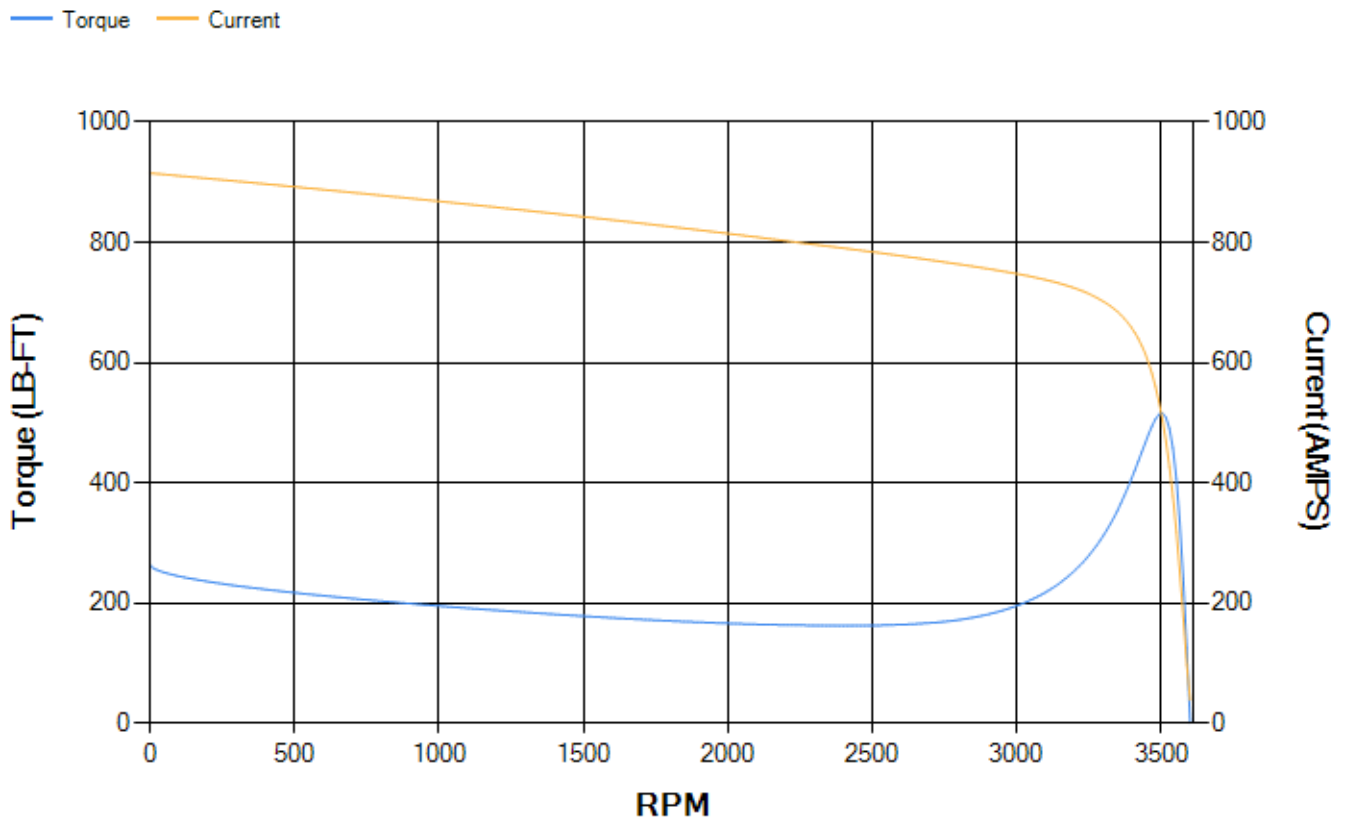
LOAD %	125.0	115.0	100.0	75.0	50.0	25.0	0.0
% EFF	94.82	94.93	95.2	94.83	93.86	90.05	0.00
% PF	90.04	89.97	89.54	87.46	81.51	63.07	7.75
AMPS	171.29	157.54	137.25	105.79	76.46	51.5	38.02

<b>TORQ(FL)#FT</b>	183.28	<b>TORQ(LR)%FL</b>	144.35	<b>TORQ(BD)%FL</b>	281.32
<b>AMPS(LR)</b>	915.33	<b>PF AT START</b>	0.2		

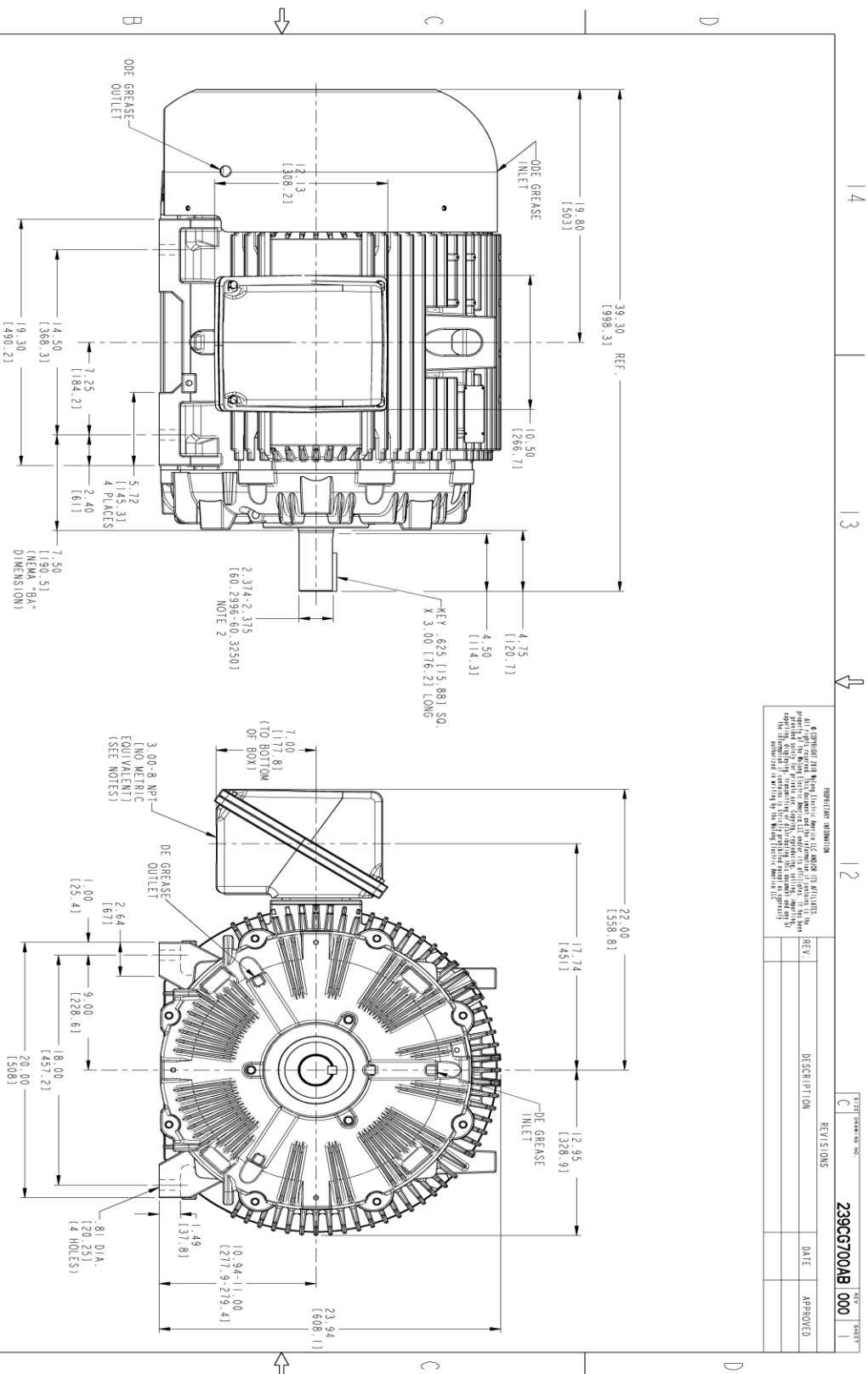
This motor is capable of two cold or one hot start with a maximum connected load inertia of 489 Lb-Ft Sq (20.59 Kg-meter Sq)at 100% voltage, where the load torque varies with the square of the speed. Acceleration time with maximum inertia and the above load type is 41 seconds. Safe stall time at 100% voltage is 83 seconds cold, 49 seconds hot. Rotor inertia is 25.58 Lb-Ft Sq (1.08 Kg-meter Sq).

<b>Open Circuit A-C:</b>	1.767	<b>Short Circuit D-C:</b>	0.036
<b>Short Circuit A-C:</b>	0.077	<b>X/R Ratio:</b>	13.685
<b>Stator Slots:</b>	48	<b>Rotor Slots:</b>	38

**Speed Torque Current Curve (First Connection, First Speed)**



Marks:



- NOTES:
1. CONDUIT BOX MAY BE PLACED WITH THE ENTRANCE DOWN, UP OR ON EITHER SIDE.
  2. F-1 ASSEMBLY AS SHOWN.
  3. ALL DIMENSIONS ARE IN INCHES. BRACKETED DIMENSIONS ARE METRIC (MILLIMETERS).



THIRD ANGLE PROJECTION

PROJECTION INFORMATION

1. I am a GE employee and I hereby certify that the information contained herein is true and correct to the best of my knowledge and belief. I understand that any false or misleading information may result in disciplinary action, including termination of employment.

2. I understand that this information is confidential and may be used for legal proceedings.

3. I understand that this information is the property of GE and may be used for legal proceedings.

4. I understand that this information is the property of GE and may be used for legal proceedings.

5. I understand that this information is the property of GE and may be used for legal proceedings.

REV.	DESCRIPTION	DATE	APPROVED

SIGNATURES	DATE
MODEL: UTKARSHA 07/10/22	
DESIGNER: UTKARSHA 07/10/22	
CHECKED: KALIDAS 07/10/22	
DATE: SACHIN 07/10/22	
ISSUED: UTKARSHA 07/10/22	
SCALE: 0.200	

**GE INDUSTRIAL MOTORS**  
a WOLONG company

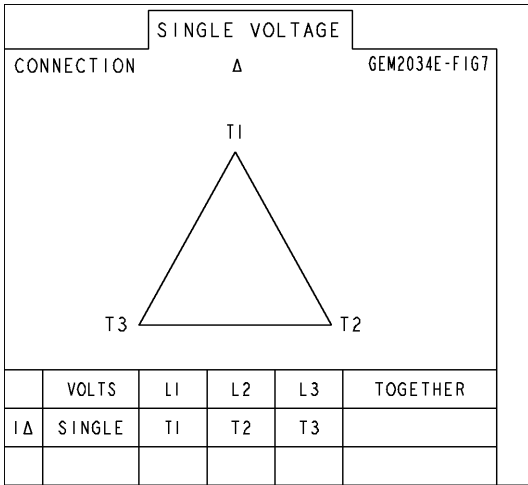
**OUTLINE**  
444 TS GP CONSTRUCTION  
TEFC GP, 700 CU IN. C-BOX

**239CG700AB 000**

REV. SHEET 1 OF 1

**Marks:**

**Connection Diagram**  
**GEM2034E-FIG7**



End shield Assembly		
Part Description	DE Side Part#	ODE Side Part#
End Shield	115E4354AA1	115E4354ZA1
Bearing	235A2616AA01	235A2616AA01
Slinger/Inproseal	149C4399G05	

Fan & Fan Cover Assembly	
Part Description	Part#
Fan	159C7100AA1
Fan Cover	128D6851AA1

Conduit & Accessories Box Assembly	
Part Description	Part#
Conduit Box	118D4408AD2

Mechanical Accessories	
Part Description	Part#
Brake	
Tachometer	

