



**GE INDUSTRIAL MOTORS**  
a **WOLONG** company

# Product Technical Information

September 8, 2022

Data shown is for the current revision model #. Ensure your nameplate model # matches.

<b>Model Number:</b>	<b>5KS182BAA105</b>
<b>Catalog Number:</b>	<b>M1713</b>
<b>Instruction Manual:</b>	GEI-56128
<b>Connection Diagram:</b>	GEM2034E-FIG3
<b>Outline Drawing:</b>	4002B5818GAP5201

## Accessory Connection Diagrams

<b>Bearing Thermocouple:</b>	None	<b>Heater:</b>	None
<b>RTD:</b>	None	<b>Thermistor:</b>	None
<b>Thermostat:</b>	None	<b>Winding Thermocouple:</b>	None
<b>Bearing RTD:</b>	None		

## Table of Contents

Specification	01
Performance Characteristics	02
Outline Drawing	03
Connection Drawing(s)	04
Spare parts	05

Marks:

<b>MODEL NUMBER:</b>	<b>5KS182BAA105</b>	<b>Estimated Weight:</b>	76 Lbs
<b>Outline Drawing:</b>	4002B5818GAP5201	<b>Time Rating:</b>	CONT
<b>Connection Diagram:</b>	GEM2034E-FIG3	<b>Enclosure:</b>	TEFC
<b>Instruction Book:</b>	GEI-56128	<b>Encl Construction:</b>	GP
<b>Design Code:</b>	18BD0104A	<b>Ambient Max(°C):</b>	40
<b>Type:</b>	KS	<b>Alt Ambient Max(°C):</b>	--
<b>Frame:</b>	182T	<b>Insulation Class:</b>	F
<b>Phases:</b>	3	<b>NEMA Design:</b>	B
<b>Poles:</b>	2	<b>Nominal Efficiency:</b>	86.5 %
<b>Output Power:</b>	3HP 2.2KW	<b>Guaranteed Efficiency:</b>	84.0 %
<b>RPM:</b>	3530	<b>3/4 Load Efficiency:</b>	--
<b>Voltage:</b>	230/460	<b>KVA Code:</b>	K
<b>Hertz:</b>	60	<b>Max KVAR:</b>	1.1
<b>Amps - FL:</b>	8.0/4.0	<b>Power Factor:</b>	81.5
<b>Service Factor:</b>	1.15	<b>Bearing - DE:</b>	6206-2ZC3
<b>Alt Service Factor:</b>	--	<b>Bearing - ODE:</b>	6206-2ZC3

Enclosure is Totally Enclosed Fan-Cooled

---

Stamped Nameplate Notes:

VT 0-60 HZ NEMA MG1-31; 208V-5.6A



**Additional Information:**

2P - T EXTN  
STANDARD FLOOR MOUNT  
C/BOX 30 CU IN-0.75 NPT  
F1 CONDUIT BOX MOUNTING  
INVERTER DUTY PER NEMA MG1 PART 31  
ALTERNATE RATING FOR PWM CONTROL:1.0SF 40C AMBIENT  
VAR TORQUE RANGE 0-60 HZ  
SUITABLE FOR 208V-5.6 AMPS WITH 1.15 SF



**Performance Characteristics**

1st Winding 1st Connection

**Design: 18BD0104A**

**Marks:**

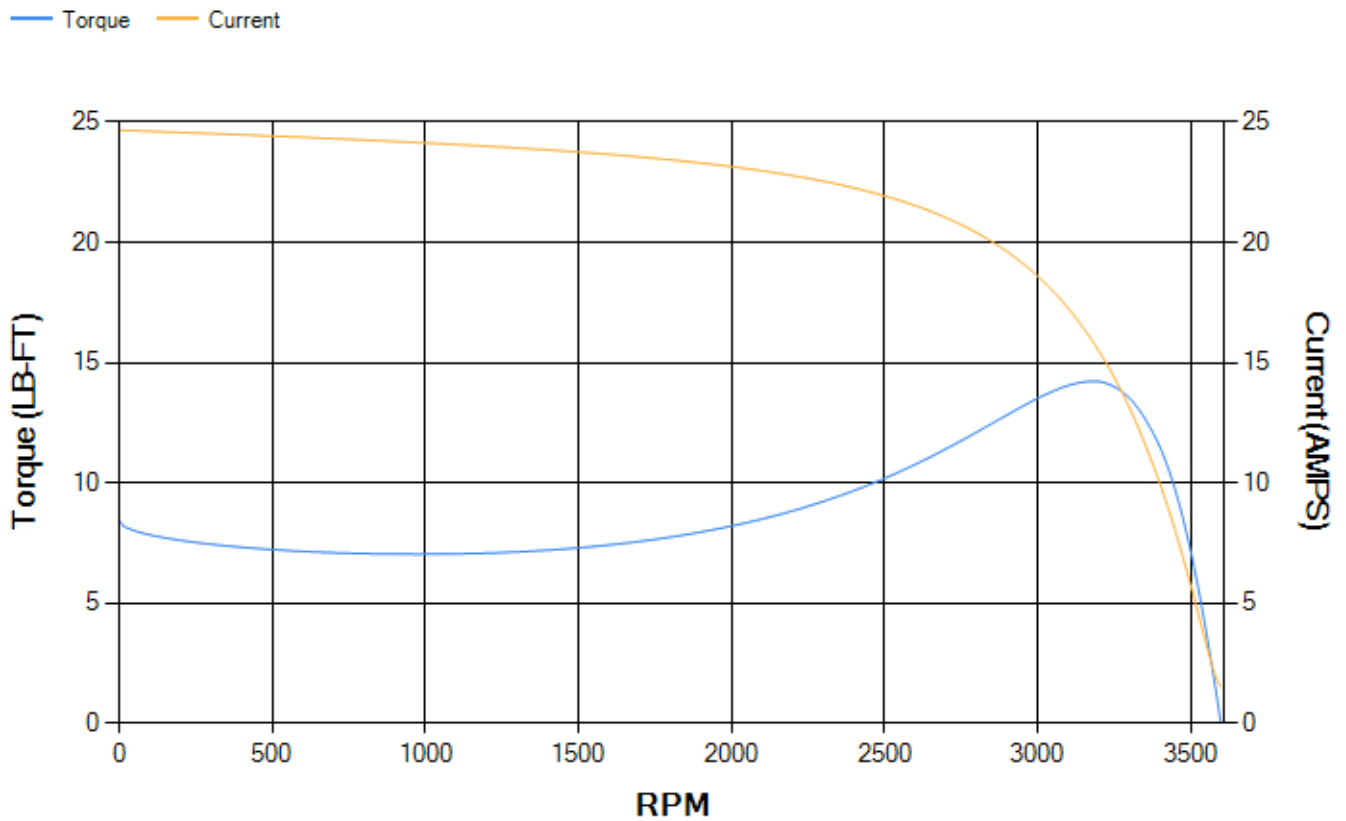
LOAD %	125.0	115.0	100.0	75.0	50.0	25.0	0.0
% EFF	87.03	87.29	87.68	87.06	84.8	76.61	0.00
% PF	84.04	83.25	85.06	76.32	65.97	45.64	12.9
AMPS	4.8	4.44	3.76	3.17	2.51	2.01	1.51

<b>TORQ(FL)#FT</b>	4.46	<b>TORQ(LR)%FL</b>	188.79	<b>TORQ(BD)%FL</b>	316.45
<b>AMPS(LR)</b>	24.67	<b>PF AT START</b>	0.4		

This motor is capable of two cold or one hot start with a maximum connected load inertia of 38 Lb-Ft Sq (1.6 Kg-meter Sq) at 100% voltage, where the load torque varies with the square of the speed. Acceleration time with maximum inertia and the above load type is 60 seconds. Safe stall time at 100% voltage is 117 seconds cold, 97 seconds hot. Rotor inertia is 0.12 Lb-Ft Sq (0.01 Kg-meter Sq).

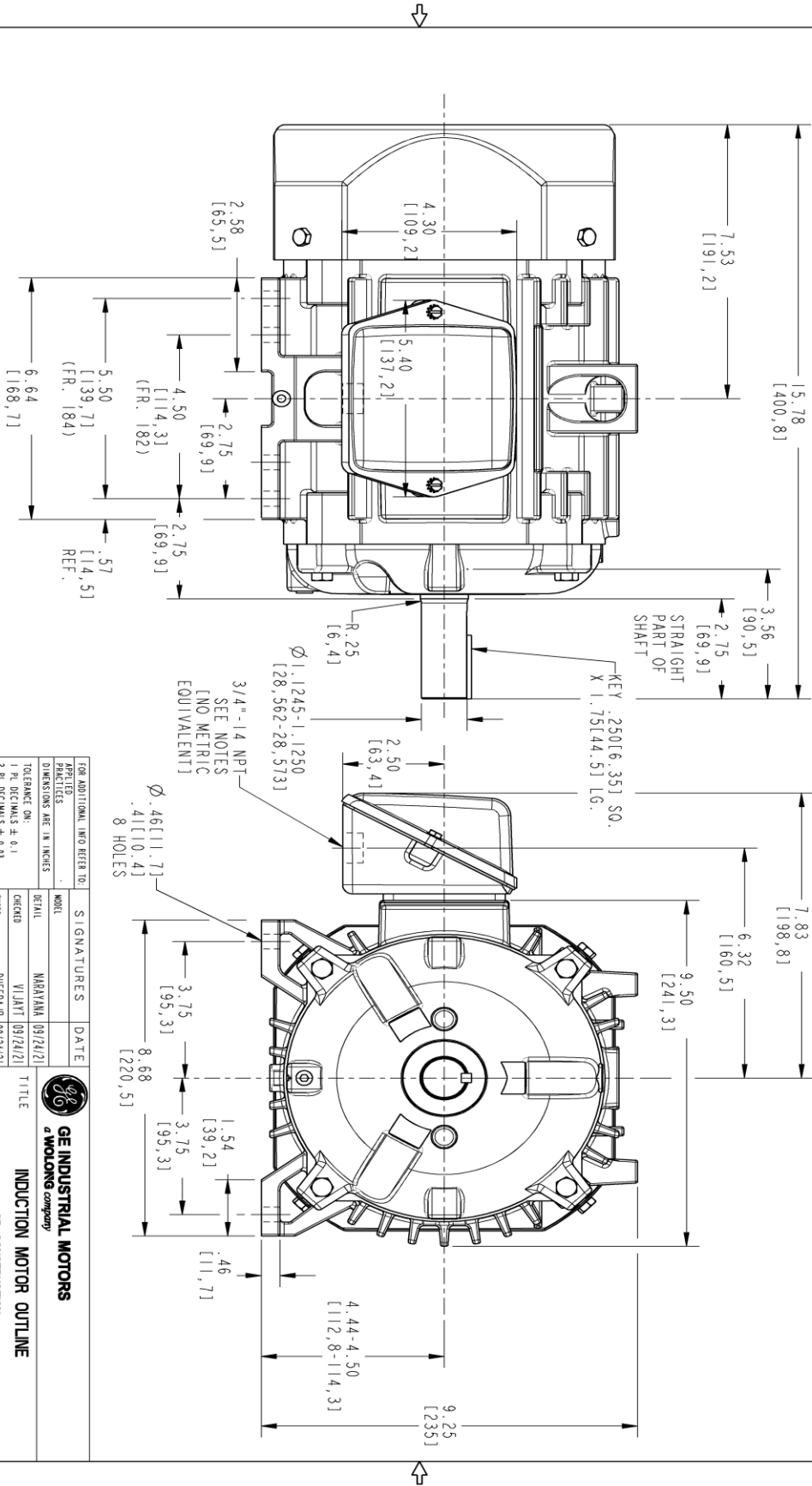
<b>Open Circuit A-C:</b>	0.324	<b>Short Circuit D-C:</b>	0.01
<b>Short Circuit A-C:</b>	0.018	<b>X/R Ratio:</b>	3.957
<b>Stator Slots:</b>	36	<b>Rotor Slots:</b>	28

**Speed Torque Current Curve (First Connection, First Speed)**



Marks:

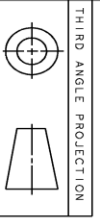
NOTE 1: CONDUIT BOX MAY BE ASSEMBLED WITH ENTRANCE UP, DOWN OR TO EITHER SIDE.  
 NOTE 2: FI ASSEMBLY AS SHOWN.  
 NOTE 3: ALL DIMENSIONAL ARE IN INCHES AND BRACKETED DIMENSIONS ARE IN METRIC [mm].



PROPRIETARY INFORMATION  
 © COPYRIGHT 2018 Wolog Electric America LLC AND/OR ITS AFFILIATES.  
 All rights reserved. This document and the information it contains is the property of the Wolog Electric America LLC and/or its affiliates. It has been provided solely for your internal use only. Reproduction, distribution, or use of this information without the express written permission of the Wolog Electric America LLC is strictly prohibited except as expressly authorized in writing by the Wolog Electric America LLC.

REV.	DESCRIPTION	DATE	APPROVED

SIZE	DRAWING NO.	REV	SHEET
B	4002B5818GAP5201	0	1



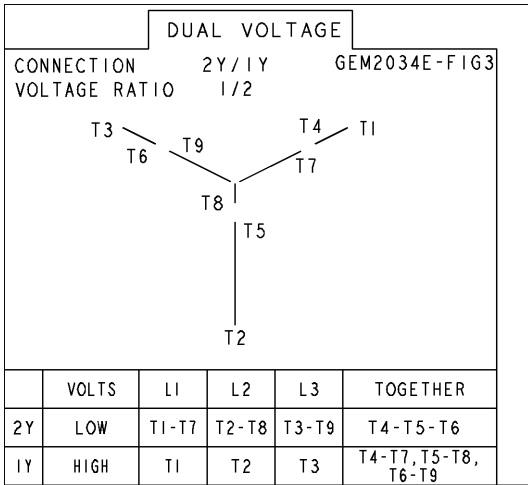
THIRD ANGLE PROJECTION

Part must conform to SI 900000  
 Sect. 4, Toxicity Procedure

FOR ADDITIONAL INFO REFER TO:		SIGNATURES		DATE	
APPLICABLE	MODEL				
DIMENSIONS ARE IN INCHES	MARAYAMA 09/24/21				
TOLERANCE ON:	DETAIL				
1 PL. DECIMALS ± 0.1	VILANT 09/24/21				
2 PL. DECIMALS ± 0.03	DHERRAB 09/24/21				
3 PL. DECIMALS ± 0.010					
ANGLES ± 0.5					
FRACTIONS ±					
FINISH	QUALITY				
	MARAYAMA 09/24/21				
SOLID MODEL: 4002B5818GAP5201	ISSUED				
SCALE: 0.400	REF. No.: 4002B5818GAP5201				
SHEET DRAWING		TITLE		DATE	
4002B5818GAP5201		INDUCTION MOTOR OUTLINE			
REV 0		GP CONSTRUCTION			
		FME FR 182/184 T TFC			
		GE INDUSTRIAL MOTORS			
		a WOLOG company			

Marks:

**Connection Diagram**  
**GEM2034E-FIG3**



End shield Assembly		
Part Description	DE Side Part#	ODE Side Part#
End Shield	4004D5281PA1	4004D5281SB1
Bearing	235A2602AA02	235A2602AA02
Slinger/Inproseal	149C4399G16	

Fan & Fan Cover Assembly	
Part Description	Part#
Fan	4001A5914AM-G01
Fan Cover	4003C5807PA1

Conduit & Accessories Box Assembly	
Part Description	Part#
Conduit Box	4002B5718PX-G01

Mechanical Accessories	
Part Description	Part#
Brake	
Tachometer	

