

BALDOR® • RELIANCE 

Product Information Packet

M3153T

.75HP, 1140RPM, 3PH, 60HZ, 143T, 3428M, OPEN

Part Detail							
Revision:	S	Status:	PRD/A	Change #:		Proprietary:	No
Type:	AC	Elec. Spec:	34WGW012	CD Diagram:	CD0005	Mfg Plant:	
Mech. Spec:	34-3482	Layout:	34LY3482	Poles:	06	Created Date:	
Base:	RG	Eff. Date:	04-22-2021	Leads:	9#18		

Specs			
Catalog Number:	M3153T	Insulation Class:	B
Enclosure:	OPEN	Inverter Code:	Not Inverter
Frame:	143T	KVA Code:	K
Frame Material:	Steel	Lifting Lugs:	No Lifting Lugs
Output @ Frequency:	.750 HP @ 60 HZ	Locked Bearing Indicator:	No Locked Bearing
Synchronous Speed @ Frequency:	1200 RPM @ 60 HZ	Motor Lead Quantity/Wire Size:	9 @ 18 AWG
Voltage @ Frequency:	460.0 V @ 60 HZ	Motor Lead Exit:	Ko Box
	230.0 V @ 60 HZ	Motor Lead Termination:	Flying Leads
XP Class and Group:	None	Motor Type:	3428M
XP Division:	Not Applicable	Mounting Arrangement:	F1
Agency Approvals:	CSA	Power Factor:	59
	UR	Product Family:	General Purpose
Auxillary Box:	No Auxillary Box	Pulley End Bearing Type:	Ball
Auxillary Box Lead Termination:	None	Pulley Face Code:	Standard
Base Indicator:	Rigid	Pulley Shaft Indicator:	Standard
Bearing Grease Type:	Polyrex EM (-20F +300F)	Rodent Screen:	None
Blower:	None	RoHS Status:	ROHS COMPLIANT
Current @ Voltage:	1.500 A @ 460.0 V	Shaft Extension Location:	Pulley End

	3.000 A @ 230.0 V	Shaft Ground Indicator:	No Shaft Grounding
	3.300 A @ 208.0 V	Shaft Rotation:	Reversible
Design Code:	B	Shaft Slinger Indicator:	No Slinger
Drip Cover:	No Drip Cover	Speed Code:	Single Speed
Duty Rating:	CONT	Motor Standards:	NEMA
Electrically Isolated Bearing:	Not Electrically Isolated	Starting Method:	Direct on line
Feedback Device:	NO FEEDBACK	Thermal Device - Bearing:	None
Front Face Code:	Standard	Thermal Device - Winding:	None
Front Shaft Indicator:	None	Vibration Sensor Indicator:	No Vibration Sensor
Heater Indicator:	No Heater	Winding Thermal 1:	None
		Winding Thermal 2:	None

Nameplate NP1256L										
CAT.NO.	M3153T									
SPEC.	34-3482W12									
HP	.75									
VOLTS	230/460									
AMP	3/1.5									
RPM	1140									
FRAME	143T				HZ	60			PH	3
SER.F.	1.15		CODE	K	DES	B		CLASS	B	
NEMA-NOM-EFF	77		PF	59						
RATING	40C AMB-CONT									
CC								USABLE AT 208V	3.3	
DE	6205				ODE	6203				
ENCL	OPEN		SN							

Parts List		
Part Number	Description	Quantity
SA008824	SA 34-3482W12	1.000 EA
RA005271	RA 34-3482W12	1.000 EA
NS2512A01	INSULATOR, CONDUIT BOX X	1.000 EA
34CB3002A	CB CAST W/.88 DIA HOLE	1.000 EA
51XB1016A07	10-16 X 7/16 HXWSSLD SERTYB	2.000 EA
11XW1032G06	10-32 X .38, TAPTITE II, HEX WSHR SLTD U	1.000 EA
34EP3200A01SP	FR ENDPLATE, MACH	1.000 EA
HW5100A03	WAVY WASHER (W1543-017)	1.000 EA
34EP3904A01	PU ENDPLATE, CAST	1.000 EA
XY1032A02	10-32 HEX NUT DIRECTIONAL SERRATION	4.000 EA
34CB4517	CB LID 4 MTG HOLES .22 DIA STAMPED, FOR	1.000 EA
51XW0832A07	8-32 X .44, TAPTITE II, HEX WSHR SLTD SE	4.000 EA
HW2501D13	KEY, 3/16 SQ X 1.375	1.000 EA
HA7000A01	KEY RETAINER 7/8" DIA SHAFT	1.000 EA
MG1000G27	MED CHARCOAL METALLIC GREY 400-0096	0.014 GA
85XU0407S04	4X1/4 U DRIVE PIN STAINLESS	2.000 EA
HA3100A38	THRUBOLT 10-32 X 9.375	4.000 EA
MN416A01	TAG-INSTAL-MAINT no wire (2100/bx) 4/22	1.000 EA
LC0005E01	CONN.DIA./WARNING LABEL (LC0005/LB1119N)	1.000 EA
NP1256L	ALUM UL CSA CC INDUSTRIAL MOTOR A60	1.000 EA
35PA1066	PKG GRP, PRINT PK1008A06	1.000 EA

Accessories		
Part Number	Description	Multiplier
34-3903A	C FACE KIT	A8

AC Induction Motor Performance Data

Record # 57255

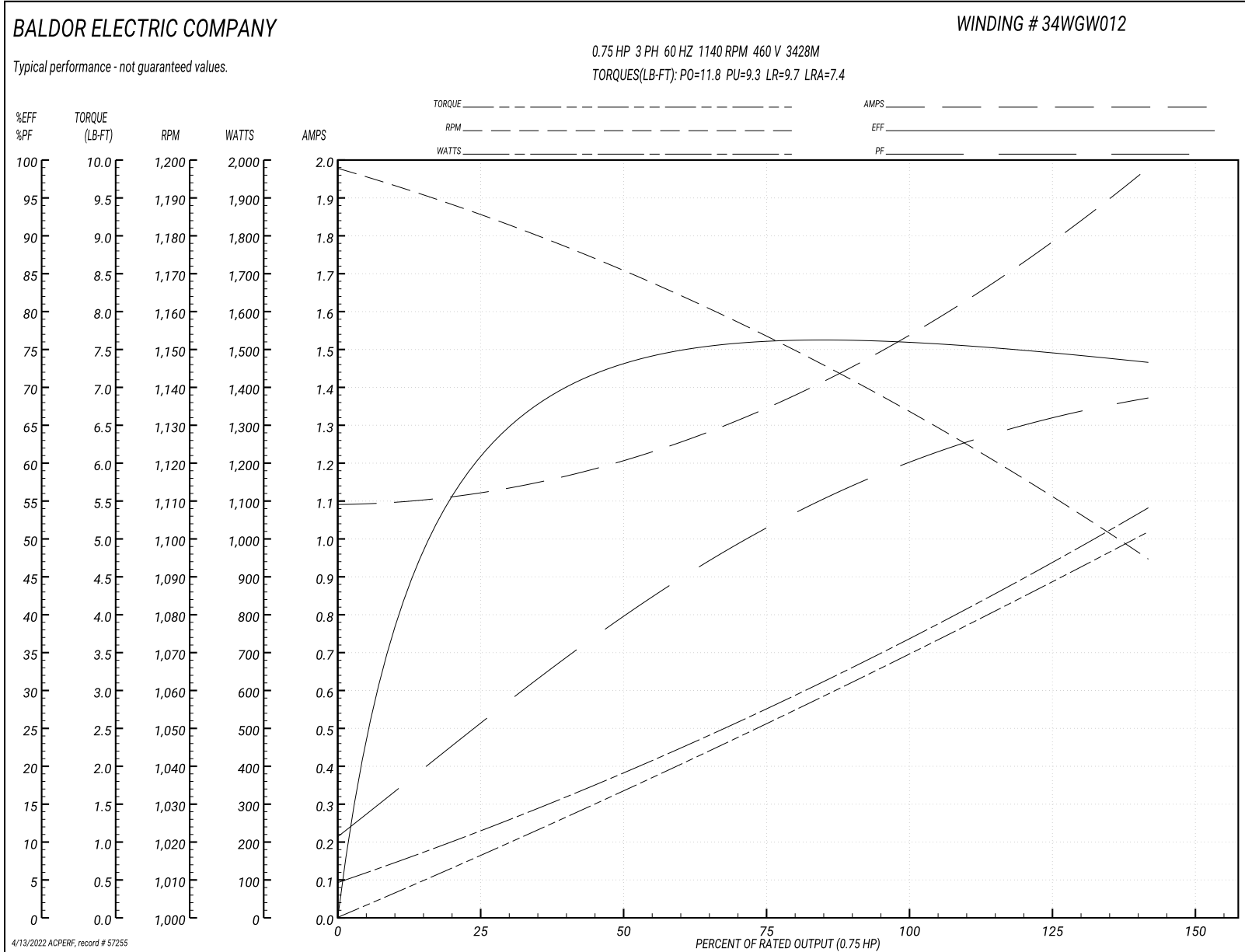
Typical performance - not guaranteed values

Winding: 34WGW012-R038			Type: 3428M			Enclosure: OPEN		
Nameplate Data				460 V, 60 Hz: High Voltage Connection				
Rated Output (HP)	.75		Full Load Torque	3.4 LB-FT				
Volts	230/460		Start Configuration	direct on line				
Full Load Amps	3-1.5		Breakdown Torque	11.8 LB-FT				
R.P.M.	1140		Pull-up Torque	9.3 LB-FT				
Hz	60 Phase	3	Locked-rotor Torque	9.7 LB-FT				
NEMA Design Code	B KVA Code	K	Starting Current	7.4 A				
Service Factor (S.F.)	1.15		No-load Current	1.1 A				
NEMA Nom. Eff.	77 Power Factor	59	Line-line Res. @ 25°C	21.9 Ω				
Rating - Duty	40C AMB-CONT		Temp. Rise @ Rated Load					
			Locked-rotor Power Factor	55.5				

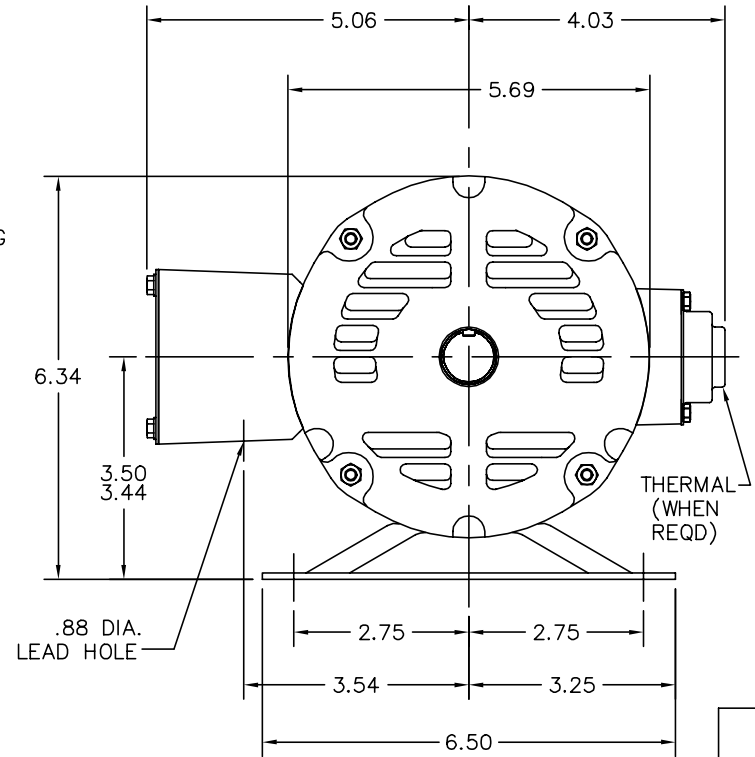
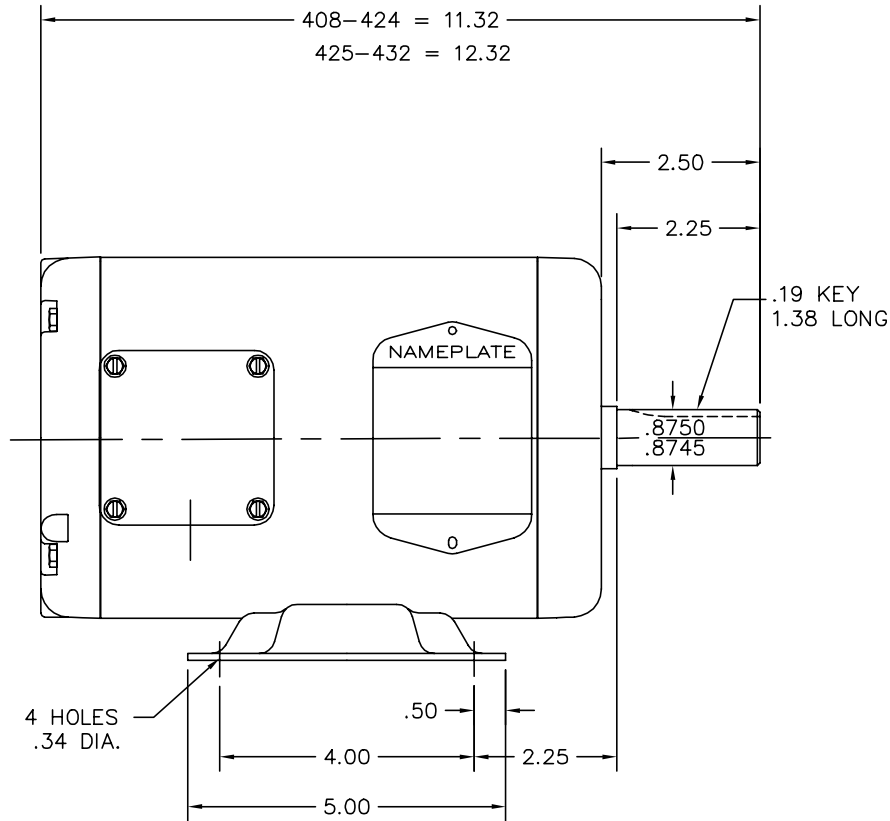
Load Characteristics 460 V, 60 Hz, 0.75 HP

% of Rated Load	25	50	75	100	125	150	S.F.
Power Factor	26	40	51	59	65	68	63
Efficiency	60	72	76	77	75	73	76
Speed	1185	1170	1155	1135	1115	1095	1125
Line amperes	1.1	1.2	1.4	1.5	1.7	2	1.6

Performance Graph at 460V, 60Hz, 0.75HP Typical performance - Not guaranteed values



34LY3482



CUSTOMER IS RESPONSIBLE FOR DETERMINING THAT BALDOR'S PRODUCT WILL PERFORM SUITABLY IN THE INTENDED APPLICATION.

REV. DESC: CORRECT STACK 425-432 WAS 428-432		
REV. LTR: G	VERSION: 02	TDR: 000001044690
FILE: \AAA\00026\159	REVISED: 08:20:03 09/26/2017	BY: ENROSTO?
MTL: -	☉ □	

BALDOR

STD HORZ MODEL 34M NEMA 143T OPEN

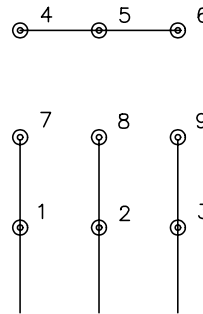
SH 1 of 1

34LY3482

CD0005

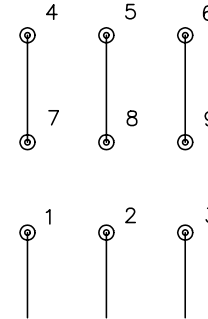


LOW VOLTAGE
(2Y)



LINE

HIGH VOLTAGE
(1Y)



LINE

NOTES:

1. INTERCHANGE ANY TWO LINE LEADS TO REVERSE ROTATION.
2. OPTIONAL THERMOSTATS ARE PROVIDED WHEN SPECIFIED.
3. ACTUAL NUMBER OF INTERNAL PARALLEL CIRCUITS MAY BE A MULTIPLE OF THOSE SHOWN ABOVE.
4. LEAD COLORS ARE OPTIONAL. LEADS MUST ALWAYS BE NUMBERED AS SHOWN.

REV. DESC: REVISE TO SHOW OPTIONAL COLORS

REV. LTR: E BY: JLP

REVISED: 01/19/99 10:15

TDR: 0171435

90000

FILE: AAA00005140

MDL: -

MTL: -

BALDOR ELECTRIC Co.

3PH, DV, 9 LEADS

CD0005