

BALDOR® • RELIANCE 

Product Information Packet

M3353

.13HP,1725RPM,3PH,60HZ,42,3313M,TEFC,F1

Part Detail							
Revision:	AH	Status:	PRD/A	Change #:		Proprietary:	No
Type:	AC	Elec. Spec:	33WG0515	CD Diagram:	CD0005A05	Mfg Plant:	
Mech. Spec:	33-870	Layout:	33LY0870	Poles:	04	Created Date:	06-25-2007
Base:	RG	Eff. Date:	03-17-2022	Leads:	9#18		

Specs			
Catalog Number:	M3353	Inverter Code:	Not Inverter
Enclosure:	TEFC	IP Rating:	NONE
Frame:	42	KVA Code:	-
Frame Material:	Steel	Lifting Lugs:	No Lifting Lugs
Output @ Frequency:	.130 HP @ 60 HZ	Locked Bearing Indicator:	No Locked Bearing
Synchronous Speed @ Frequency:	1800 RPM @ 60 HZ	Motor Lead Quantity/Wire Size:	9 @ 18 AWG
Voltage @ Frequency:	230.0 V @ 60 HZ	Motor Lead Exit:	Ko Box
	460.0 V @ 60 HZ	Motor Lead Termination:	Flying Leads
Agency Approvals:	UR	Motor Type:	3313M
	CSA	Mounting Arrangement:	F1
Auxillary Box:	No Auxillary Box	Power Factor:	42
Auxillary Box Lead Termination:	None	Product Family:	General Purpose
Base Indicator:	Rigid	Pulley End Bearing Type:	Ball
Bearing Grease Type:	Polyrex EM (-20F +300F)	Pulley Face Code:	Standard
Blower:	None	Pulley Shaft Indicator:	Standard
Current @ Voltage:	.500 A @ 460.0 V	Rodent Screen:	None
	1.000 A @ 230.0 V	RoHS Status:	ROHS COMPLIANT
	1.150 A @ 208.0 V	Shaft Extension Location:	Pulley End

Design Code:	-	Shaft Ground Indicator:	No Shaft Grounding
Drip Cover:	No Drip Cover	Shaft Rotation:	Reversible
Duty Rating:	CONT	Shaft Slinger Indicator:	No Slinger
Electrically Isolated Bearing:	Not Electrically Isolated	Speed Code:	Single Speed
Feedback Device:	NO FEEDBACK	Motor Standards:	NEMA
Feedback Signal:	NONE	Starting Method:	Direct on line
Front Face Code:	Standard	Thermal Device - Bearing:	None
Front Shaft Indicator:	None	Thermal Device - Winding:	None
Heater Indicator:	No Heater	Vibration Sensor Indicator:	No Vibration Sensor
Insulation Class:	B	Winding Thermal 1:	None
		Winding Thermal 2:	None

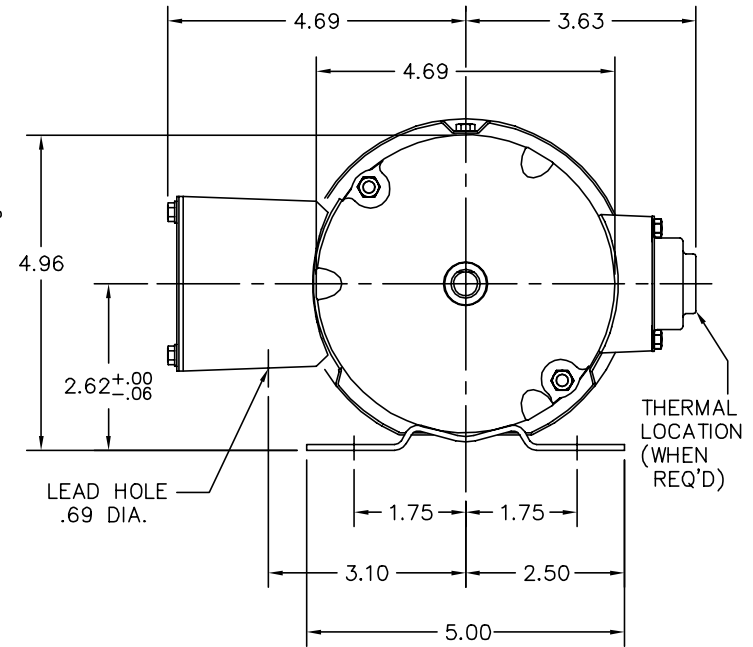
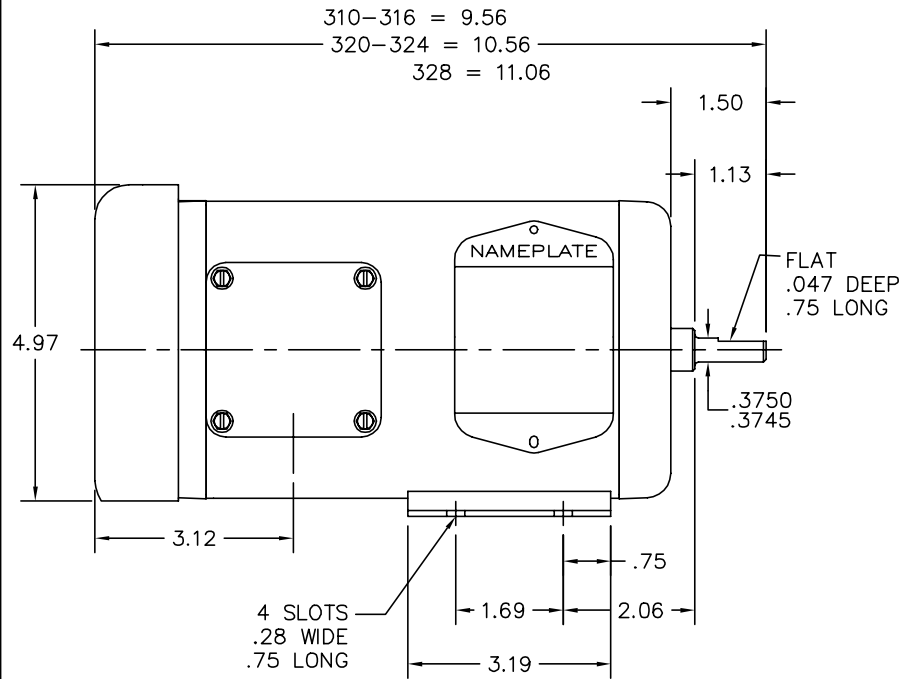
Nameplate NP1256L										
CAT.NO.	M3353									
SPEC.	33-870-515									
HP	.13									
VOLTS	230/460									
AMP	1/5									
RPM	1725									
FRAME	42				HZ	60			PH	3
SER.F.	1.40			CODE	-	DES		-	CLASS	B
NEMA-NOM-EFF	44			PF	42					
RATING	40C AMB-CONT									
CC									USABLE AT 208V	1.15
DE	6203				ODE	6203				
ENCL	TEFC			SN						
	SFA 1.1/.55									

Parts List		
Part Number	Description	Quantity
SA007370	SA 33-870-515	1.000 EA
RA003817	RA 33-870-515	1.000 EA
NS2512A01	INSULATOR, CONDUIT BOX X	1.000 EA
34CB3002A64	CB W/.69 DIA @ 6	1.000 EA
34GS1029A01	GASKET, CONDUIT BOX	1.000 EA
51XB1016A07	10-16 X 7/16 HXWSSLD SERTYB	2.000 EA
11XW1032G06	10-32 X .38, TAPTITE II, HEX WSHR SLTD U	1.000 EA
33EP3100A01	EP,33AC ODE GP 6203 TEFC W/DRAIN	1.000 EA
HW5100A03	WAVY WASHER (W1543-017)	1.000 EA
33EP3100A02	PU ENDPLATE, MACH	1.000 EA
XY1032A02	10-32 HEX NUT DIRECTIONAL SERRATION	2.000 EA
33FN3000	EXTERNAL FAN, PLASTIC	1.000 EA
HW1003A08	WASHER, #8 EX TH LK, ZN (F/S)	1.000 EA
33FH4001A01	FAN COVER, STAMPED	1.000 EA
51XW1032A06	10-32 X .38, TAPTITE II, HEX WSHR SLTD S	3.000 EA
34CB4517	CB LID 4 MTG HOLES .22 DIA STAMPED, FOR	1.000 EA
34GS1031A01	GASKET, FLAT CONDUIT BOX LID (LEXIDE)	1.000 EA
51XW0832A07	8-32 X .44, TAPTITE II, HEX WSHR SLTD SE	4.000 EA
MG1000G27	MED CHARCOAL METALLIC GREY 400-0096	0.013 GA
85XU0407S04	4X1/4 U DRIVE PIN STAINLESS	2.000 EA
HA3100A79	THRUBOLT 10-32 X 6.625	2.000 EA
LC0005E01	CONN.DIA./WARNING LABEL (LC0005/LB1119N)	1.000 EA
NP1256L	ALUM UL CSA CC INDUSTRIAL MOTOR A60	1.000 EA
35PA1066	PKG GRP, PRINT PK1001A01	1.000 EA

Parts List (continued)		
Part Number	Description	Quantity
MN416A01	TAG-INSTAL-MAINT no wire (2100/bx) 4/22	1.000 EA

No performance data has been
assigned to this product.

33LY0870



CUSTOMER IS RESPONSIBLE FOR DETERMINING THAT MOTOR PERFORMANCE IS SUITABLE IN THE APPLICATION.

REV. DESC: UPDATED KOBX & LID

REV. LTR: L

VERSION: 01

TDR: 000000426983

0Z80A7C

FILE: \AAA\00001\052

REVISED: 09:30:20 04/09/2007

MTL: -

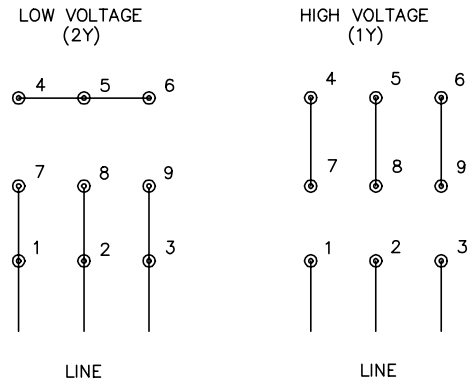
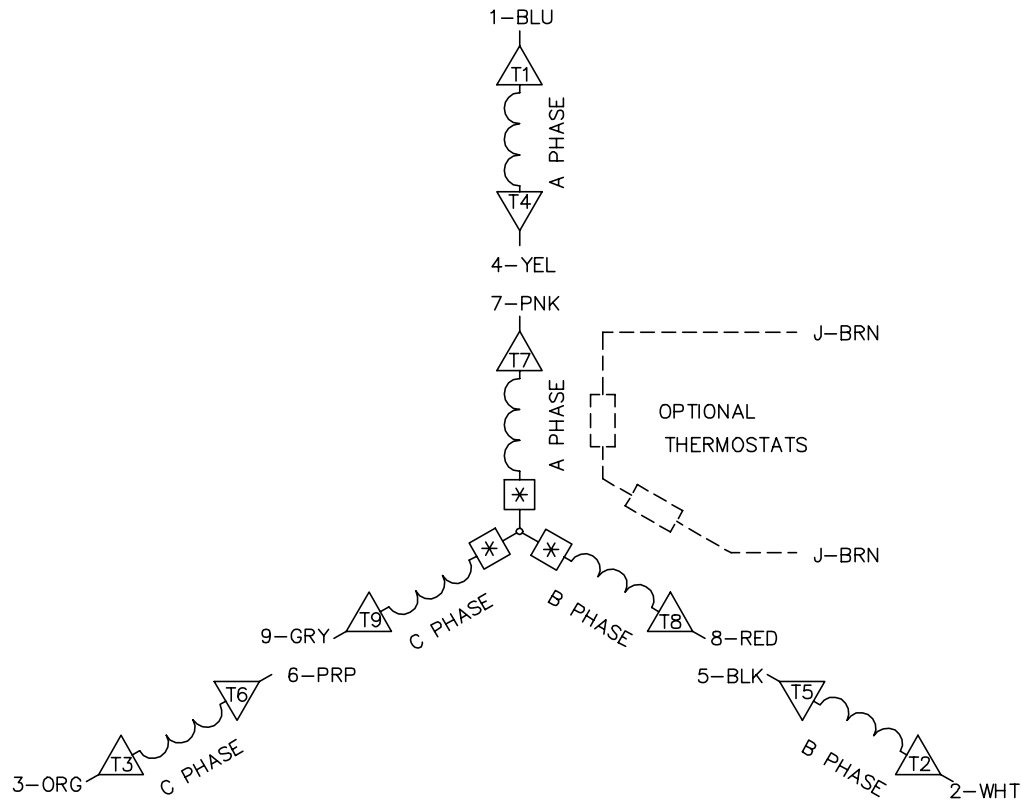
BY: ENRSTO

BALDOR ELECTRIC Co.

STD HORZ MODEL 33M NEMA 42 TEFC

33LY0870

CD0005A05



NOTES:

1. INTERCHANGE ANY TWO LINE LEADS TO REVERSE ROTATION.
2. OPTIONAL THERMOSTATS ARE PROVIDED WHEN SPECIFIED.
3. ACTUAL NUMBER OF INTERNAL PARALLEL CIRCUITS MAY BE A MULTIPLE OF THOSE SHOWN ABOVE.
4. LEAD COLORS ARE OPTIONAL. LEADS MUST ALWAYS BE NUMBERED AS SHOWN.
5. =MAGNET WIRE COIL END WITH I.D. NUMBER.
6. =MAGNET WIRE COIL END WITH I.D. SYMBOL.
7. SEE CW PRINT FOR NEST TO NEST CROSSOVER CONNECTIONS.

REV. DESC: ADD NEST NOTE			
REV. LTR: C	VERSION: 03	TDR: 000000445597	
CD0005A05	FILE: \CKA\00024\847	REVISED: 12:51:06 11/15/2007	
	MTL: -	BY: CKMICRO	

BALDOR • DODGE • RELIANCE

3PH, DV, 9 LEADS, CK

CD0005A05