

**BALDOR® • RELIANCE** 

**Product Information Packet**

**M3355**

**.17HP, 1725RPM, 3PH, 60HZ, 42, 3316M, TEFC, F1**

Part Detail							
Revision:	AE	Status:	PRD/A	Change #:		Proprietary:	No
Type:	AC	Elec. Spec:	33WG0423	CD Diagram:	CD0005A05	Mfg Plant:	
Mech. Spec:	33-870	Layout:	33LY0870	Poles:	04	Created Date:	06-25-2007
Base:	RG	Eff. Date:	03-17-2022	Leads:	9#18		

Specs			
Catalog Number:	M3355	Inverter Code:	Not Inverter
Enclosure:	TEFC	IP Rating:	NONE
Frame:	42	KVA Code:	-
Frame Material:	Steel	Lifting Lugs:	No Lifting Lugs
Output @ Frequency:	.170 HP @ 60 HZ	Locked Bearing Indicator:	No Locked Bearing
Synchronous Speed @ Frequency:	1800 RPM @ 60 HZ	Motor Lead Quantity/Wire Size:	9 @ 18 AWG
Voltage @ Frequency:	230.0 V @ 60 HZ	Motor Lead Exit:	Ko Box
	460.0 V @ 60 HZ	Motor Lead Termination:	Flying Leads
Agency Approvals:	UR	Motor Type:	3316M
	CSA	Mounting Arrangement:	F1
Auxillary Box:	No Auxillary Box	Power Factor:	51
Auxillary Box Lead Termination:	None	Product Family:	General Purpose
Base Indicator:	Rigid	Pulley End Bearing Type:	Ball
Bearing Grease Type:	Polyrex EM (-20F +300F)	Pulley Face Code:	Standard
Blower:	None	Pulley Shaft Indicator:	Standard
Current @ Voltage:	.600 A @ 460.0 V	Rodent Screen:	None
	1.200 A @ 230.0 V	RoHS Status:	ROHS COMPLIANT
	1.400 A @ 208.0 V	Shaft Extension Location:	Pulley End

<b>Design Code:</b>	-	<b>Shaft Ground Indicator:</b>	No Shaft Grounding
<b>Drip Cover:</b>	No Drip Cover	<b>Shaft Rotation:</b>	Reversible
<b>Duty Rating:</b>	CONT	<b>Shaft Slinger Indicator:</b>	No Slinger
<b>Electrically Isolated Bearing:</b>	Not Electrically Isolated	<b>Speed Code:</b>	Single Speed
<b>Feedback Device:</b>	NO FEEDBACK	<b>Motor Standards:</b>	NEMA
<b>Feedback Signal:</b>	NONE	<b>Starting Method:</b>	Direct on line
<b>Front Face Code:</b>	Standard	<b>Thermal Device - Bearing:</b>	None
<b>Front Shaft Indicator:</b>	None	<b>Thermal Device - Winding:</b>	None
<b>Heater Indicator:</b>	No Heater	<b>Vibration Sensor Indicator:</b>	No Vibration Sensor
<b>Insulation Class:</b>	B	<b>Winding Thermal 1:</b>	None
		<b>Winding Thermal 2:</b>	None

Nameplate NP1256L										
CAT.NO.	M3355									
SPEC.	33-870-423									
HP	.17									
VOLTS	230/460									
AMP	1.2/.6									
RPM	1725									
FRAME	42					HZ	60		PH	3
SER.F.	1.35					CODE	-		DES	-
NEMA-NOM-EFF	62					PF	51		CLASS	B
RATING	40C AMB-CONT									
CC								USABLE AT 208V	1.4	
DE	6203					ODE	6203			
ENCL	TEFC					SN				
	SFA 1.3/.65									

Parts List		
Part Number	Description	Quantity
SA007369	SA 33-870-423	1.000 EA
RA003816	RA 33-870-423	1.000 EA
NS2512A01	INSULATOR, CONDUIT BOX X	1.000 EA
34CB3002A64	CB W/.69 DIA @ 6	1.000 EA
34GS1029A01	GASKET, CONDUIT BOX	1.000 EA
51XB1016A07	10-16 X 7/16 HXWSSLD SERTYB	2.000 EA
11XW1032G06	10-32 X .38, TAPTITE II, HEX WSHR SLTD U	1.000 EA
33EP3100A01	EP,33AC ODE GP 6203 TEFC W/DRAIN	1.000 EA
HW5100A03	WAVY WASHER (W1543-017)	1.000 EA
33EP3100A02	PU ENDPLATE, MACH	1.000 EA
XY1032A02	10-32 HEX NUT DIRECTIONAL SERRATION	2.000 EA
33FN3000	EXTERNAL FAN, PLASTIC	1.000 EA
HW1003A08	WASHER, #8 EX TH LK, ZN (F/S)	1.000 EA
33FH4001A01	FAN COVER, STAMPED	1.000 EA
51XW1032A06	10-32 X .38, TAPTITE II, HEX WSHR SLTD S	3.000 EA
34CB4517	CB LID 4 MTG HOLES .22 DIA STAMPED, FOR	1.000 EA
34GS1031A01	GASKET, FLAT CONDUIT BOX LID (LEXIDE)	1.000 EA
51XW0832A07	8-32 X .44, TAPTITE II, HEX WSHR SLTD SE	4.000 EA
MG1000G27	MED CHARCOAL METALLIC GREY 400-0096	0.013 GA
85XU0407S04	4X1/4 U DRIVE PIN STAINLESS	2.000 EA
HA3100A79	THRUBOLT 10-32 X 6.625	2.000 EA
MN416A01	TAG-INSTAL-MAINT no wire (2100/bx) 4/22	1.000 EA
LC0005E01	CONN.DIA./WARNING LABEL (LC0005/LB1119N)	1.000 EA
NP1256L	ALUM UL CSA CC INDUSTRIAL MOTOR A60	1.000 EA

<b>Parts List (continued)</b>		
<b>Part Number</b>	<b>Description</b>	<b>Quantity</b>
35PA1066	PKG GRP, PRINT PK1001A01	1.000 EA

**AC Induction Motor Performance Data**

Record # 6269

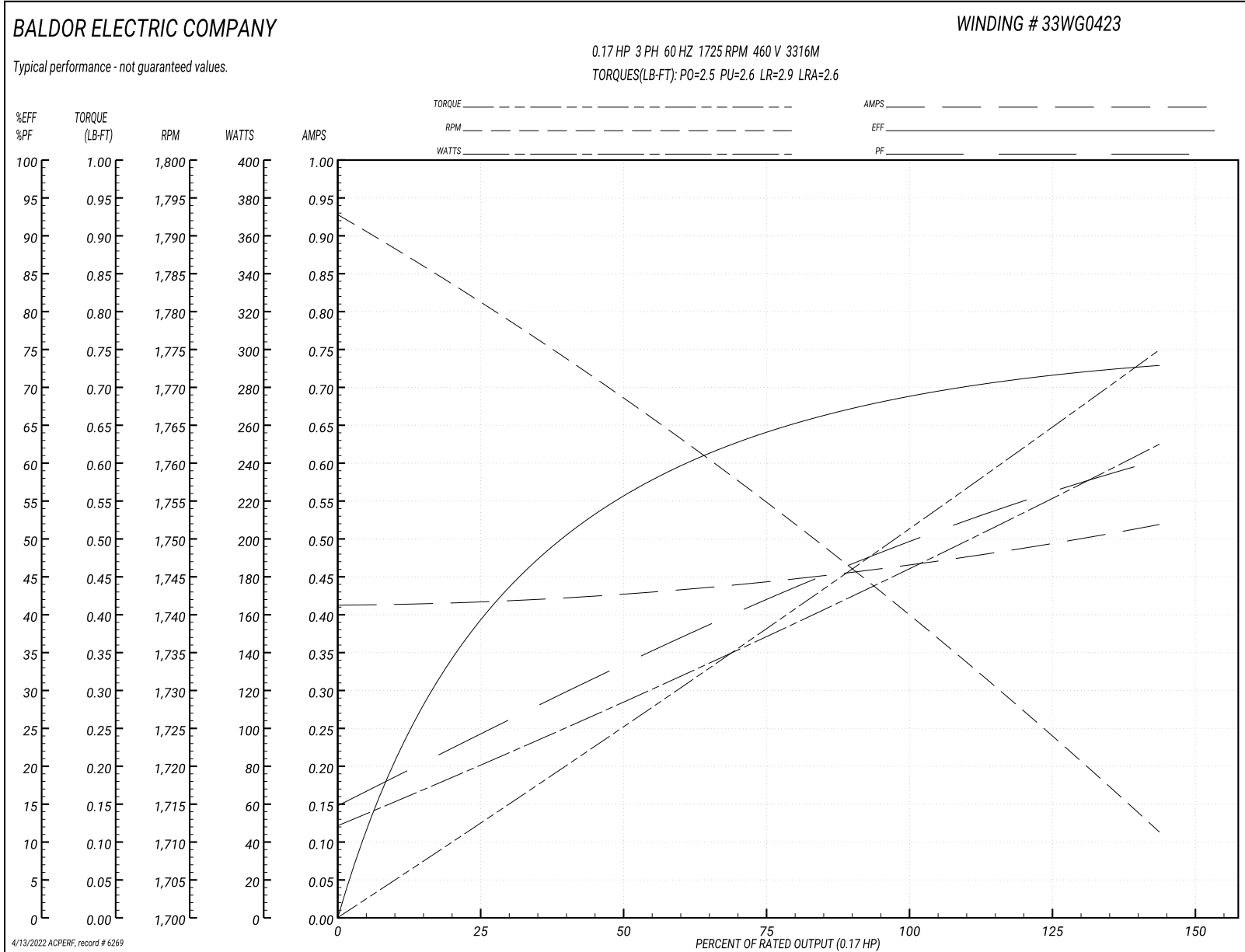
Typical performance - not guaranteed values

<b>Winding: 33WG0423-R001</b>		<b>Type: 3316M</b>		<b>Enclosure: TEFC</b>	
<b>Nameplate Data</b>			<b>460 V, 60 Hz: High Voltage Connection</b>		
<b>Rated Output (HP)</b>	.17	<b>Full Load Torque</b>	0.5 LB-FT		
<b>Volts</b>	230/460	<b>Start Configuration</b>	direct on line		
<b>Full Load Amps</b>	1.2/.6	<b>Breakdown Torque</b>	2.5 LB-FT		
<b>R.P.M.</b>	1725	<b>Pull-up Torque</b>	2.6 LB-FT		
<b>Hz</b>	60 Phase	3	<b>Locked-rotor Torque</b>	2.9 LB-FT	
<b>NEMA Design Code</b>	-	<b>KVA Code</b>	-	<b>Starting Current</b>	2.6 A
<b>Service Factor (S.F.)</b>	1.35	<b>No-load Current</b>	0.41 A		
<b>NEMA Nom. Eff.</b>	62	<b>Power Factor</b>	51	<b>Line-line Res. @ 25°C</b>	68.8 Ω
<b>Rating - Duty</b>	40C AMB-CONT		<b>Temp. Rise @ Rated Load</b>	26°C	
<b>S.F. Amps</b>	1.3/.65	<b>Temp. Rise @ S.F. Load</b>	32°C		

**Load Characteristics 460 V, 60 Hz, 0.17 HP**

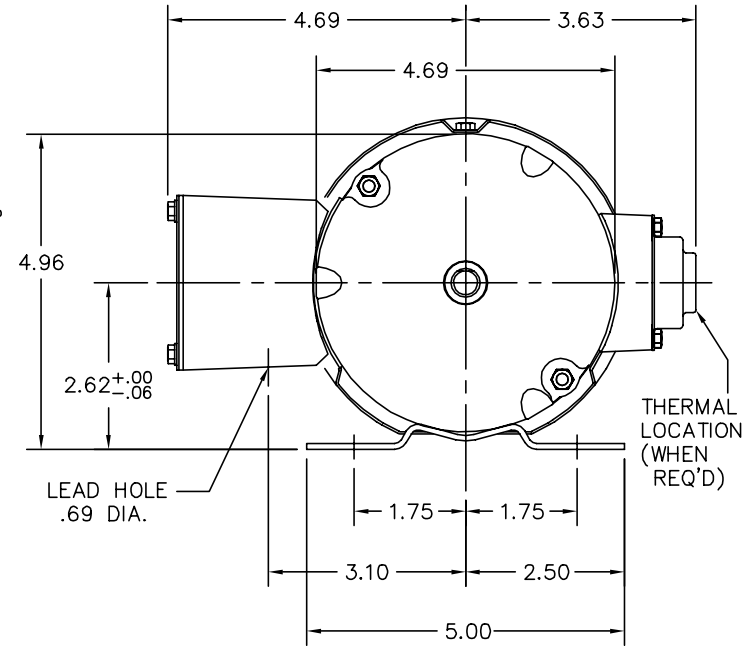
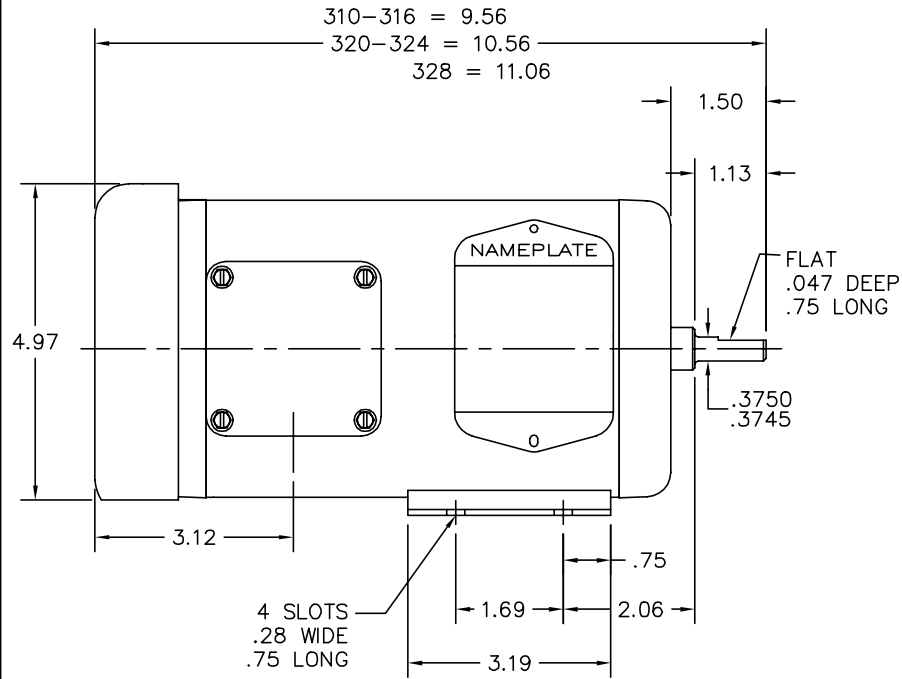
<b>% of Rated Load</b>	<b>25</b>	<b>50</b>	<b>75</b>	<b>100</b>	<b>125</b>	<b>150</b>	<b>S.F.</b>
<b>Power Factor</b>	24	34	42	50	57	63	60
<b>Efficiency</b>	39.3	55.4	63.8	68.5	71.4	72.9	72.6
<b>Speed</b>	1781	1769	1755	1742	1727	1711	1721
<b>Line amperes</b>	0.42	0.43	0.44	0.46	0.49	0.52	0.5

Performance Graph at 460V, 60Hz, 0.17HP Typical performance - Not guaranteed values





33LY0870



CUSTOMER IS RESPONSIBLE FOR DETERMINING THAT MOTOR PERFORMANCE IS SUITABLE IN THE APPLICATION.

REV. DESC: UPDATED KOBX & LID

REV. LTR: L

VERSION: 01

TDR: 000000426983

0Z80A7C

FILE: \AAA\00001\052

REVISED: 09:30:20 04/09/2007

MTL: -

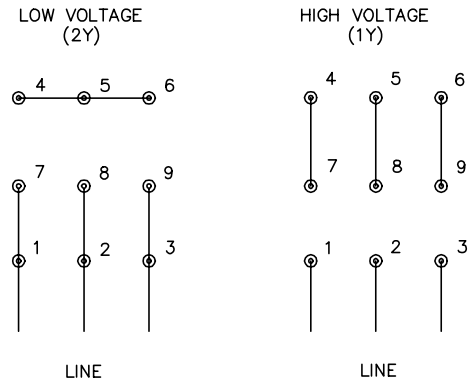
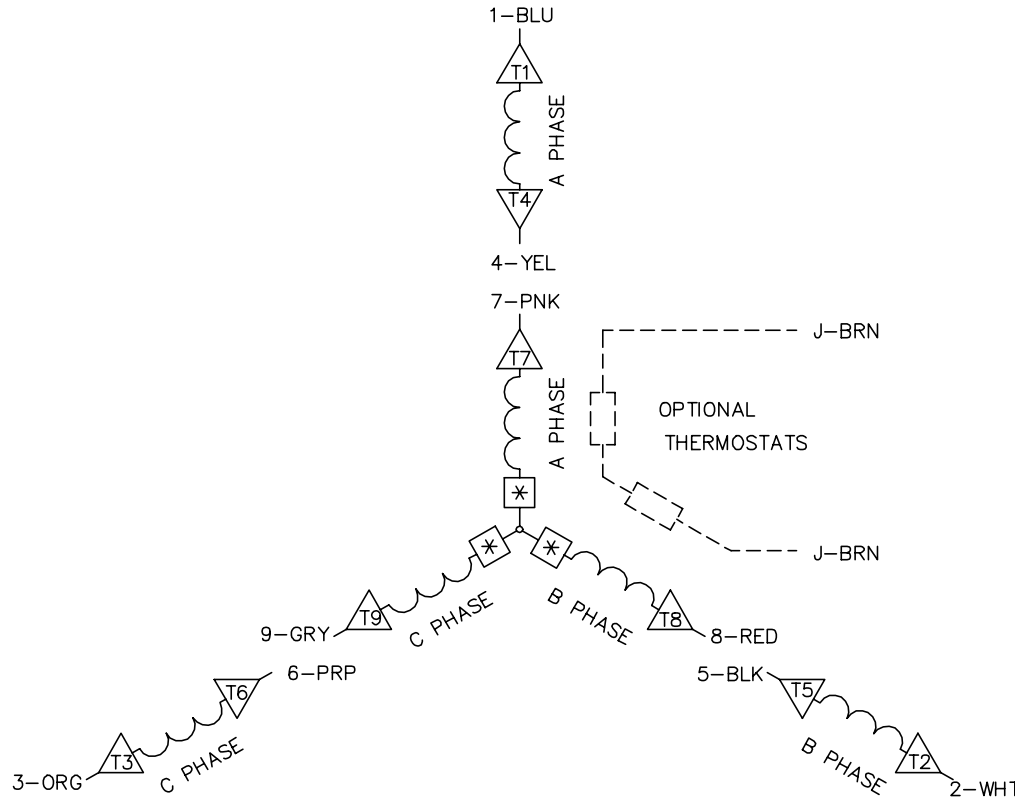
BY: ENRSTO

**BALDOR ELECTRIC Co.**

STD HORZ MODEL 33M NEMA 42 TEFC

33LY0870

CD0005A05



- NOTES:
1. INTERCHANGE ANY TWO LINE LEADS TO REVERSE ROTATION.
  2. OPTIONAL THERMOSTATS ARE PROVIDED WHEN SPECIFIED.
  3. ACTUAL NUMBER OF INTERNAL PARALLEL CIRCUITS MAY BE A MULTIPLE OF THOSE SHOWN ABOVE.
  4. LEAD COLORS ARE OPTIONAL. LEADS MUST ALWAYS BE NUMBERED AS SHOWN.
  5. =MAGNET WIRE COIL END WITH I.D. NUMBER.
  6. =MAGNET WIRE COIL END WITH I.D. SYMBOL.
  7. SEE CW PRINT FOR NEST TO NEST CROSSOVER CONNECTIONS.

REV. DESC: ADD NEST NOTE			
REV. LTR: C	VERSION: 03	TDR: 000000445597	
CD0005A05	FILE: \CKA\00024\847	REVISED: 12:51:06 11/15/2007	
	MTL: -	BY: CKMICRO	

**BALDOR • DODGE • RELIANCE**

3PH, DV, 9 LEADS, CK

CD0005A05