

BALDOR® • RELIANCE 

Product Information Packet

M3457

.33HP,3450RPM,3PH,60HZ,48,3410M,TENV,F1

Part Detail							
Revision:	M	Status:	PRD/A	Change #:		Proprietary:	No
Type:	AC	Elec. Spec:	34WGY170	CD Diagram:	CD0005	Mfg Plant:	
Mech. Spec:	34A075	Layout:	34LYA075	Poles:	02	Created Date:	
Base:	RG	Eff. Date:	01-25-2019	Leads:	9#18		

Specs			
Catalog Number:	M3457	Insulation Class:	B
Enclosure:	TENV	Inverter Code:	Not Inverter
Frame:	48	KVA Code:	P
Frame Material:	Steel	Lifting Lugs:	No Lifting Lugs
Output @ Frequency:	.330 HP @ 60 HZ	Locked Bearing Indicator:	No Locked Bearing
Synchronous Speed @ Frequency:	3600 RPM @ 60 HZ	Motor Lead Quantity/Wire Size:	9 @ 18 AWG
Voltage @ Frequency:	460.0 V @ 60 HZ	Motor Lead Exit:	Ko Box
	230.0 V @ 60 HZ	Motor Lead Termination:	Flying Leads
XP Class and Group:	None	Motor Type:	3410M
XP Division:	Not Applicable	Mounting Arrangement:	F1
Agency Approvals:	CSA	Power Factor:	64
	UR	Product Family:	General Purpose
Auxillary Box:	No Auxillary Box	Pulley End Bearing Type:	Ball
Auxillary Box Lead Termination:	None	Pulley Face Code:	Standard
Base Indicator:	Rigid	Pulley Shaft Indicator:	Standard
Bearing Grease Type:	Polyrex EM (-20F +300F)	Rodent Screen:	None
Blower:	None	Shaft Extension Location:	Pulley End
Current @ Voltage:	.700 A @ 460.0 V	Shaft Ground Indicator:	No Shaft Grounding

	1.400 A @ 230.0 V	Shaft Rotation:	Reversible
	1.600 A @ 208.0 V	Shaft Slinger Indicator:	No Slinger
Design Code:	B	Speed Code:	Single Speed
Drip Cover:	No Drip Cover	Motor Standards:	NEMA
Duty Rating:	CONT	Starting Method:	Direct on line
Electrically Isolated Bearing:	Not Electrically Isolated	Thermal Device - Bearing:	None
Feedback Device:	NO FEEDBACK	Thermal Device - Winding:	None
Front Face Code:	Standard	Vibration Sensor Indicator:	No Vibration Sensor
Front Shaft Indicator:	None	Winding Thermal 1:	None
Heater Indicator:	No Heater	Winding Thermal 2:	None

Nameplate NP1256L										
CAT.NO.	M3457									
SPEC.	34A075Y170									
HP	.33									
VOLTS	230/460									
AMP	1.4/.7									
RPM	3450									
FRAME	48				HZ	60			PH	3
SER.F.	1.35			CODE	P	DES	B		CLASS	B
NEMA-NOM-EFF	72			PF	64					
RATING	40C AMB-CONT									
CC									USABLE AT 208V	1.6
DE	6203				ODE	6203				
ENCL	TENV			SN						
	SFA 1.5/.75									

Parts List		
Part Number	Description	Quantity
SA084135	SA 34A075Y170	1.000 EA
RA077322	RA 34A075Y170	1.000 EA
NS2512A01	INSULATOR, CONDUIT BOX X	1.000 EA
34CB3002A	CB CAST W/.88 DIA HOLE	1.000 EA
34GS1029A01	GASKET, CONDUIT BOX	1.000 EA
51XB1016A07	10-16 X 7/16 HXWSSLD SERTYB	2.000 EA
11XW1032G06	10-32 X .38, TAPTITE II, HEX WSHR SLTD U	1.000 EA
34EP3100A03SP	FR ENDPLATE, MACH	1.000 EA
HW5100A03	WAVY WASHER (W1543-017)	1.000 EA
34EP3102A02SP	FR/PU ENDPLATE, MACH	1.000 EA
XY1032A02	10-32 HEX NUT DIRECTIONAL SERRATION	4.000 EA
34CB4517	CB LID 4 MTG HOLES .22 DIA STAMPED, FOR	1.000 EA
34GS1031A01	GASKET, FLAT CONDUIT BOX LID (LEXIDE)	1.000 EA
51XW0832A07	8-32 X .44, TAPTITE II, HEX WSHR SLTD SE	4.000 EA
MG1000G27	MED CHARCOAL METALLIC GREY 400-0096	0.014 GA
85XU0407S04	4X1/4 U DRIVE PIN STAINLESS	2.000 EA
HA3100A12	THRUBOLT 10-32 X 7.375	4.000 EA
LC0005E01	CONN.DIA./WARNING LABEL (LC0005/LB1119N)	1.000 EA
NP1256L	ALUM UL CSA CC INDUSTRIAL MOTOR A60	1.000 EA
35PA1066	PKG GRP, PRINT PK1001A01	1.000 EA
MN416A01	TAG-INSTAL-MAINT no wire (2100/bx) 4/22	1.000 EA

Accessories		
Part Number	Description	Multiplier
34-3900T	C-FACE KIT	A8

AC Induction Motor Performance Data

Record # 28270

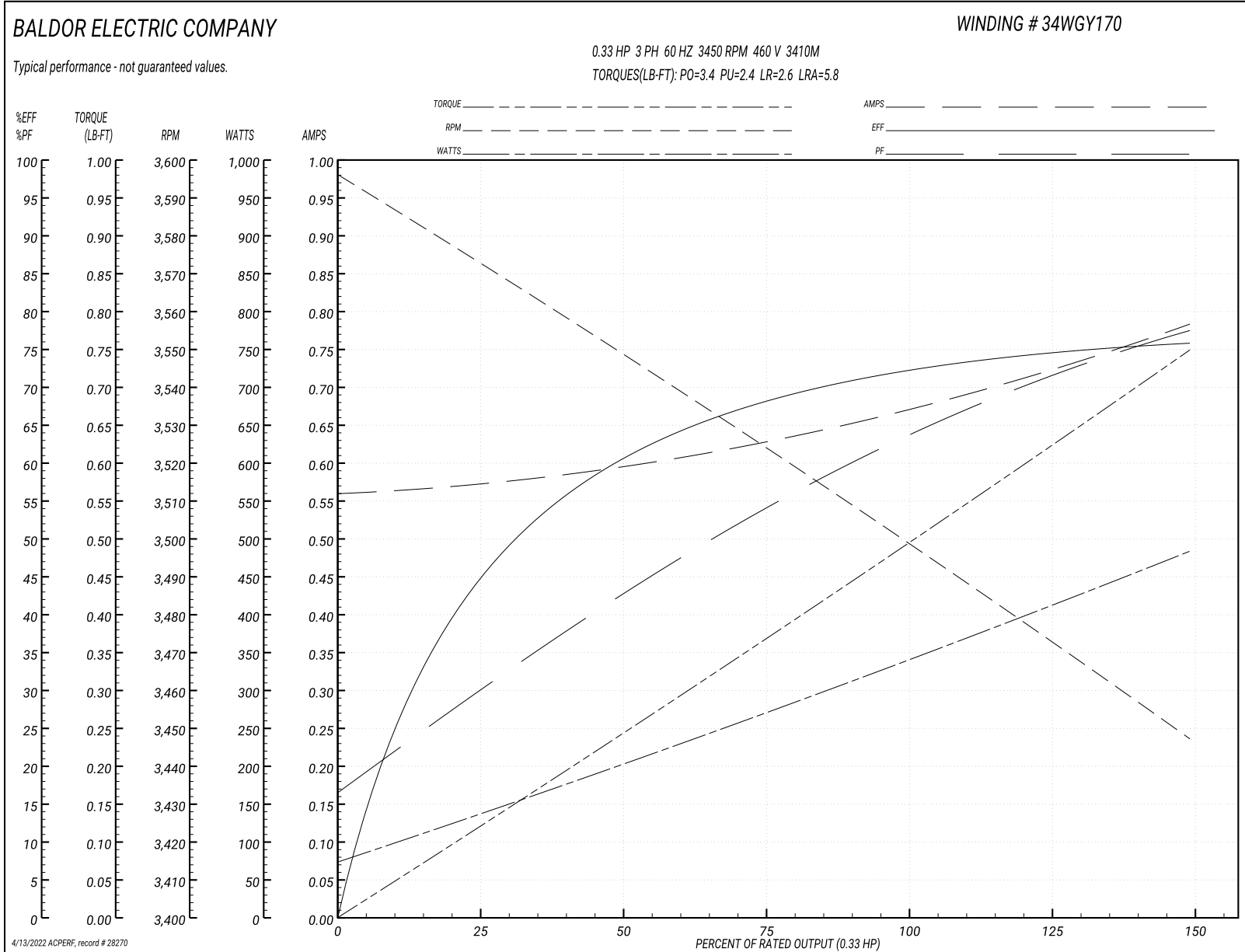
Preliminary Data Sheet

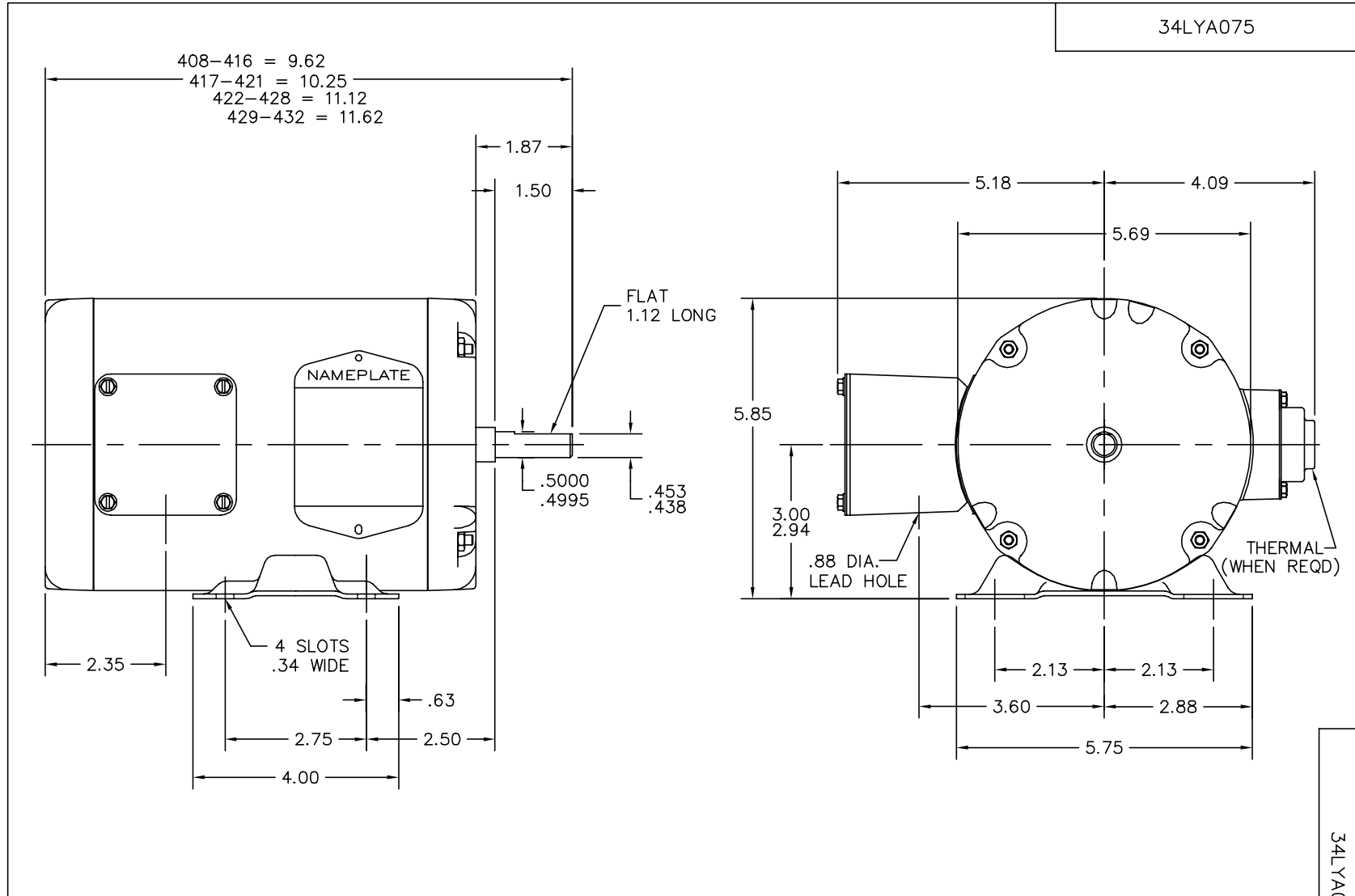
Winding: 34WGY170-R001		Type: 3410M	Enclosure: TENV
Nameplate Data		460 V, 60 Hz: High Voltage Connection	
Rated Output (HP)	.33	Full Load Torque	0.5 LB-FT
Volts	230/460	Start Configuration	direct on line
Full Load Amps	1.4/.7	Breakdown Torque	3.4 LB-FT
R.P.M.	3450	Pull-up Torque	2.4 LB-FT
Hz	60 Phase	Locked-rotor Torque	2.6 LB-FT
NEMA Design Code	B KVA Code	Starting Current	5.8 A
Service Factor (S.F.)	1.35	No-load Current	0.56 A
NEMA Nom. Eff.	72 Power Factor	Line-line Res. @ 25°C	31.7 Ω
Rating - Duty	40C AMB-CONT	Temp. Rise @ Rated Load	57°C
S.F. Amps	1.5/.75	Temp. Rise @ S.F. Load	66°C

Load Characteristics 460 V, 60 Hz, 0.33 HP

% of Rated Load	25	50	75	100	125	150	S.F.
Power Factor	32	42	55	63	73	77	75
Efficiency	43.7	62	68.3	72.8	74.4	75.8	75
Speed	3569	3544	3526	3497	3477	3444	3464
Line amperes	0.57	0.6	0.63	0.68	0.71	0.79	0.742

Performance Graph at 460V, 60Hz, 0.33HP Typical performance - Not guaranteed values





CUSTOMER IS RESPONSIBLE FOR DETERMINING THAT BALDOR'S PRODUCT WILL PERFORM SUITABLY IN THE INTENDED APPLICATION.

REV. DESC: ADD END DIMENSION ON FRONT VIEW.		
REV. LTR: D	VERSION: 02	TDR: 000001067292
FILE: \AAA\00026\171	REVISED: 04:36:30 04/11/2018	BY: USDAMAR15
MTL: -		

BALDOR - RELIANCE®

STD HORZ MODEL 34M NEMA 48 TENV

SH 1 of 1

34LYA075

CD0005



LOW VOLTAGE
(2Y)



LINE

HIGH VOLTAGE
(1Y)



LINE

NOTES:

1. INTERCHANGE ANY TWO LINE LEADS TO REVERSE ROTATION.
2. OPTIONAL THERMOSTATS ARE PROVIDED WHEN SPECIFIED.
3. ACTUAL NUMBER OF INTERNAL PARALLEL CIRCUITS MAY BE A MULTIPLE OF THOSE SHOWN ABOVE.
4. LEAD COLORS ARE OPTIONAL. LEADS MUST ALWAYS BE NUMBERED AS SHOWN.

REV. DESC: REVISE TO SHOW OPTIONAL COLORS

REV. LTR: E BY: JLP

REVISED: 01/19/99 10:15

TDR: 0171435

9000D

FILE: AAA00005140

MDL: -

MTL: -

BALDOR ELECTRIC Co.

3PH, DV, 9 LEADS

CD0005