

**BALDOR® • RELIANCE** 

**Product Information Packet**

**M3534-5**

**.33HP, 1725RPM, 3PH, 60HZ, 56, 3413M, TEFC, F1**

Part Detail							
Revision:	U	Status:	PRD/A	Change #:		Proprietary:	No
Type:	AC	Elec. Spec:	34WG0901	CD Diagram:	CD0006	Mfg Plant:	
Mech. Spec:	34A061	Layout:	34LYA061	Poles:	04	Created Date:	
Base:	RG	Eff. Date:	04-22-2021	Leads:	3#18		

Specs			
Catalog Number:	M3534-5	Inverter Code:	Not Inverter
Enclosure:	TEFC	KVA Code:	L
Frame:	56	Lifting Lugs:	No Lifting Lugs
Frame Material:	Steel	Locked Bearing Indicator:	No Locked Bearing
Output @ Frequency:	.330 HP @ 60 HZ	Motor Lead Quantity/Wire Size:	3 @ 18 AWG
Synchronous Speed @ Frequency:	1800 RPM @ 60 HZ	Motor Lead Exit:	Ko Box
Voltage @ Frequency:	575.0 V @ 60 HZ	Motor Lead Termination:	Flying Leads
XP Class and Group:	None	Motor Type:	3413M
XP Division:	Not Applicable	Mounting Arrangement:	F1
Agency Approvals:	UR	Power Factor:	57
	CSA	Product Family:	General Purpose
Auxillary Box:	No Auxillary Box	Pulley End Bearing Type:	Ball
Auxillary Box Lead Termination:	None	Pulley Face Code:	Standard
Base Indicator:	Rigid	Pulley Shaft Indicator:	Standard
Bearing Grease Type:	Polyrex EM (-20F +300F)	Rodent Screen:	None
Blower:	None	Shaft Extension Location:	Pulley End
Current @ Voltage:	.640 A @ 575.0 V	Shaft Ground Indicator:	No Shaft Grounding
Design Code:	B	Shaft Rotation:	Reversible

<b>Drip Cover:</b>	No Drip Cover	<b>Shaft Slinger Indicator:</b>	No Slinger
<b>Duty Rating:</b>	CONT	<b>Speed Code:</b>	Single Speed
<b>Electrically Isolated Bearing:</b>	Not Electrically Isolated	<b>Motor Standards:</b>	NEMA
<b>Feedback Device:</b>	NO FEEDBACK	<b>Starting Method:</b>	Direct on line
<b>Front Face Code:</b>	Standard	<b>Thermal Device - Bearing:</b>	None
<b>Front Shaft Indicator:</b>	None	<b>Thermal Device - Winding:</b>	None
<b>Heater Indicator:</b>	No Heater	<b>Vibration Sensor Indicator:</b>	No Vibration Sensor
<b>Insulation Class:</b>	B	<b>Winding Thermal 1:</b>	None
		<b>Winding Thermal 2:</b>	None

Nameplate NP1256L										
CAT.NO.	M3534-5									
SPEC.	34A61-901									
HP	.33									
VOLTS	575									
AMP	.64									
RPM	1725									
FRAME	56				HZ	60			PH	3
SER.F.	1.35			CODE	L	DES	B		CLASS	B
NEMA-NOM-EFF	68			PF	57					
RATING	40C AMB-CONT									
CC	USABLE AT 208V									
DE	6203				ODE	6203				
ENCL	TEFC			SN						
	SFA .7									

Parts List		
Part Number	Description	Quantity
SA009798	SA 34A61-901	1.000 EA
RA006243	RA 34A61-901	1.000 EA
NS2512A01	INSULATOR, CONDUIT BOX X	1.000 EA
34CB3002A	CB CAST W/.88 DIA HOLE	1.000 EA
34GS1029A01	GASKET, CONDUIT BOX	1.000 EA
51XB1016A07	10-16 X 7/16 HXWSSLD SERTYB	2.000 EA
11XW1032G06	10-32 X .38, TAPTITE II, HEX WSHR SLTD U	1.000 EA
34EP3102A01SP	FR ENDPLATE, MACH	1.000 EA
HW5100A03	WAVY WASHER (W1543-017)	1.000 EA
34EP3102A02SP	FR/PU ENDPLATE, MACH	1.000 EA
XY1032A02	10-32 HEX NUT DIRECTIONAL SERRATION	4.000 EA
34FN3002A01SP	EXTERNAL FAN, PLASTIC, .637/.639 HUB W/	1.000 EA
34FH4002A01SP	IEC FH NO GREASER PRIMED	1.000 EA
51XW1032A06	10-32 X .38, TAPTITE II, HEX WSHR SLTD S	3.000 EA
34CB4517	CB LID 4 MTG HOLES .22 DIA STAMPED, FOR	1.000 EA
34GS1031A01	GASKET, FLAT CONDUIT BOX LID (LEXIDE)	1.000 EA
51XW0832A07	8-32 X .44, TAPTITE II, HEX WSHR SLTD SE	4.000 EA
HW2501D13	KEY, 3/16 SQ X 1.375	1.000 EA
HA7000A04	KEY RETAINER 0.625 DIA SHAFTS	1.000 EA
MG1000G27	MED CHARCOAL METALLIC GREY 400-0096	0.014 GA
85XU0407S04	4X1/4 U DRIVE PIN STAINLESS	2.000 EA
HA3100A12	THRUBOLT 10-32 X 7.375	4.000 EA
MN416A01	TAG-INSTAL-MAINT no wire (2100/bx) 4/22	1.000 EA
LC0006	CONNECTION LABEL	1.000 EA

<b>Parts List (continued)</b>		
<b>Part Number</b>	<b>Description</b>	<b>Quantity</b>
LB1119N	WARNING LABEL	1.000 EA
NP1256L	ALUM UL CSA CC INDUSTRIAL MOTOR A60	1.000 EA
35PA1066	PKG GRP, PRINT PK1008A06	1.000 EA

<b>Accessories</b>		
<b>Part Number</b>	<b>Description</b>	<b>Multiplier</b>
34-171	C FACE KIT	A8

**AC Induction Motor Performance Data**

Record # 6614

Typical performance - not guaranteed values

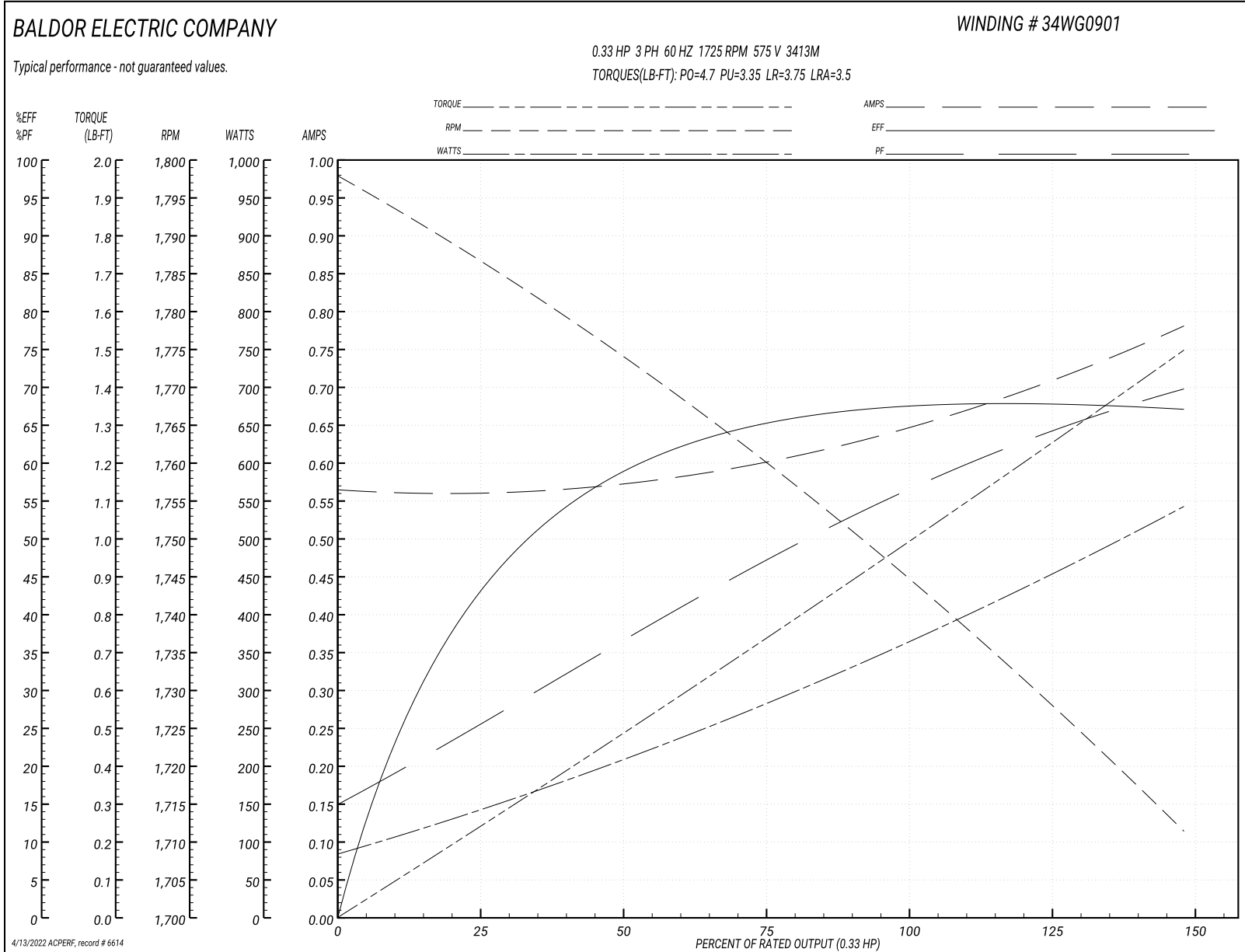
Winding: 34WG0901-R001		Type: 3413M	Enclosure: TEFC
<b>Nameplate Data</b>		<b>575 V, 60 Hz: Single Voltage Motor</b>	
Rated Output (HP)	.33	Full Load Torque	1 LB-FT
Volts	575	Start Configuration	direct on line
Full Load Amps	.64	Breakdown Torque	4.7 LB-FT
R.P.M.	1725	Pull-up Torque	3.35 LB-FT
Hz	60 Phase	Locked-rotor Torque	3.75 LB-FT
NEMA Design Code	B KVA Code	Starting Current	3.5 A
Service Factor (S.F.)	1.35	No-load Current	0.56 A
NEMA Nom. Eff.	68 Power Factor	Line-line Res. @ 25°C	77.1 Ω
Rating - Duty	40C AMB-CONT	Temp. Rise @ Rated Load	47°C
S.F. Amps	.7	Temp. Rise @ S.F. Load	61°C

**Load Characteristics 575 V, 60 Hz, 0.33 HP**

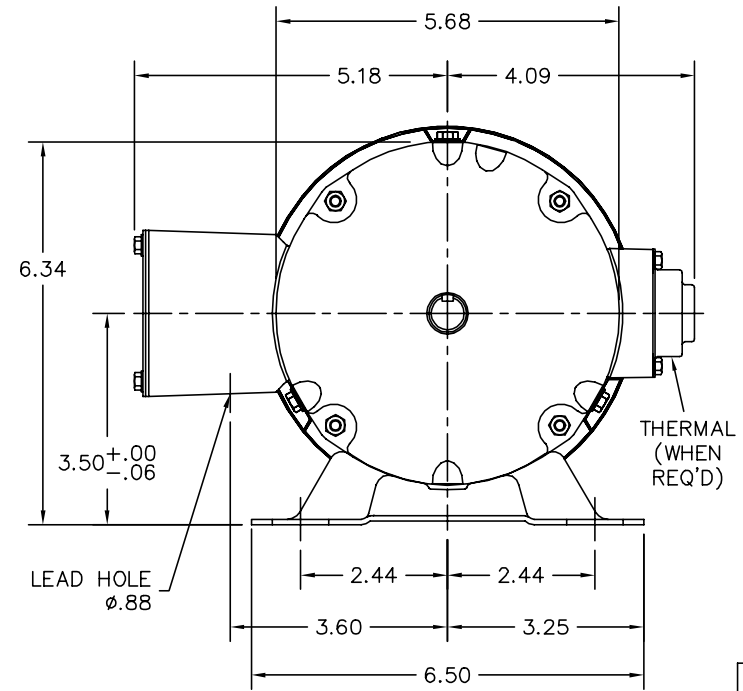
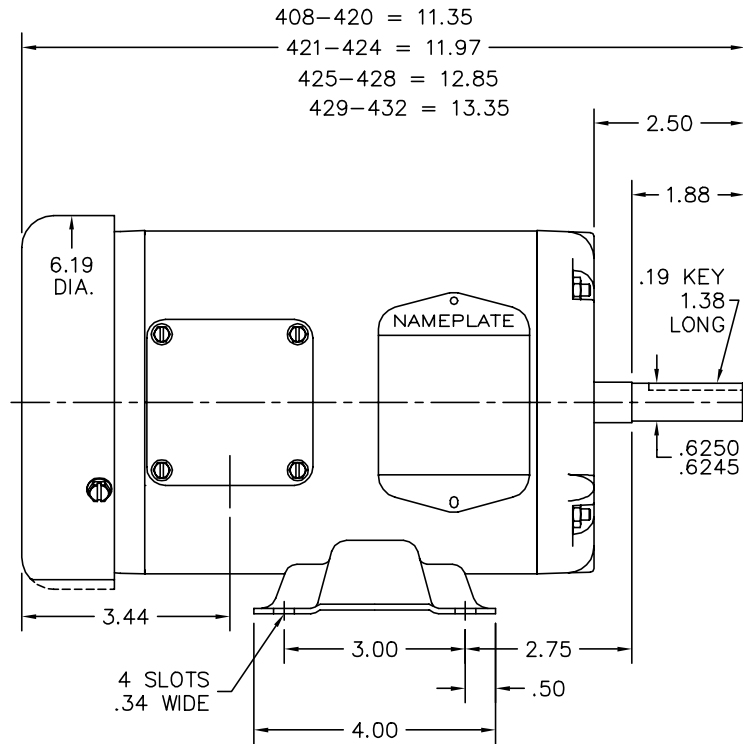
% of Rated Load	25	50	75	100	125	150	S.F.
Power Factor	28	40	50	57	64	69	66
Efficiency	44	59	65	68	68	67	68
Speed	1788	1770	1760	1745	1730	1710	1725
Line amperes	0.56	0.58	0.62	0.64	0.68	0.8	0.72



Performance Graph at 575V, 60Hz, 0.33HP Typical performance - Not guaranteed values



34LYA061



CUSTOMER IS RESPONSIBLE FOR DETERMINING THAT BALDOR'S PRODUCT WILL PERFORM SUITABLY IN THE INTENDED APPLICATION.

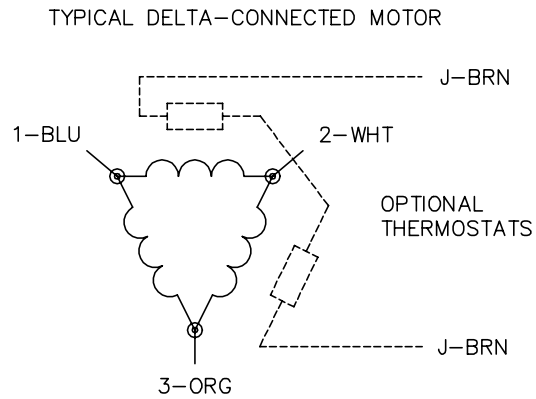
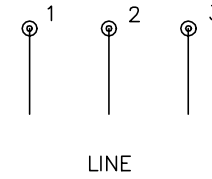
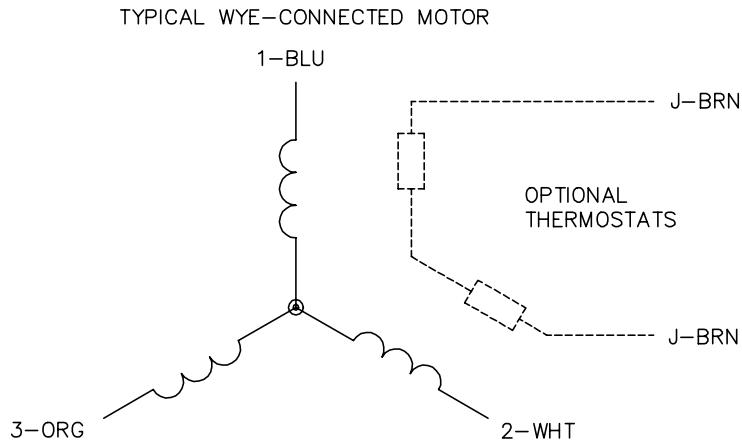
REV. DESC: SECTION VIEW: REMOVE EXTANEOUS PTS FROM LAYOUT		
REV. LTR: K	VERSION: 03	TDR: 000001047233
FILE: \AAA\00000\561	REVISED: 08:12:58 10/17/2017	BY: ENBENBO
MTL: -	© □	

**BALDOR**

STD HORZ 34M NEMA 56 TEFC  
SH 1 of 1

34LYA061

CD0006



NOTES:

1. THREE LEAD MOTOR MAY BE EITHER WYE CONNECTED OR DELTA CONNECTED.
2. INTERCHANGE ANY TWO LINE LEADS TO REVERSE ROTATION.
3. OPTIONAL THERMOSTATS ARE PROVIDED WHEN SPECIFIED.
4. ACTUAL NUMBER OF INTERNAL PARALLEL CIRCUITS MAY VARY.
5. LEAD COLORS ARE OPTIONAL. LEADS MUST BE NUMBERED AS SHOWN.

CD0006

REV. DESC: ADD CLASS CONN00000007		
REV. LTR: E	VERSION: 01	TDR: 000001099922
FILE: \AAA\00005\141	REVISED: 10:24:49 02/19/2019	BY: ENBRIRO
MTL: -	© □	

**BALDOR - RELIANCE®**

3PH, SV, 3 LEADS, WYE OR DELTA CONNECTED

SH 1 of 1