



GE INDUSTRIAL MOTORS
a **WOLONG** company

Product Technical Information

April 1, 2021

Data shown is for the current revision model #. Ensure your nameplate model # matches.

Model Number:	5KS143SAA205D3
Catalog Number:	M482
Instruction Manual:	GEI-56128
Connection Diagram:	GEM2034E-FIG3
Outline Drawing:	4002B5814PAP5425

Accessory Connection Diagrams

Bearing Thermocouple:	None	Heater:	None
RTD:	None	Thermistor:	None
Thermostat:	None	Winding Thermocouple:	None
Bearing RTD:	None		

Table of Contents

Specification	01
Performance Characteristics	02
Outline Drawing	03
Connection Drawing(s)	04
Spare parts	05

Marks:

MODEL NUMBER: 5KS143SAA205D3
Outline Drawing: 4002B5814PAP5425
Connection Diagram: GEM2034E-FIG3
Instruction Book: GEI-56128
Design Code: 14BD1132A
Type: KS
Frame: 143T
Phases: 3
Poles: 4
Output Power: 1HP 0.7KW
RPM: 1730
Voltage: 230/460
Hertz: 60
Amps - FL: 2.8/1.4
Service Factor: 1.15
Alt Service Factor: --

Estimated Weight: 43 Lbs
Time Rating: CONT
Enclosure: TEFC
Encl Construction: 841
Ambient Max(°C): 40
Alt Ambient Max(°C): --
Insulation Class: H
NEMA Design: B
Nominal Efficiency: 85.5 %
Guaranteed Efficiency: 84.0 %
3/4 Load Efficiency: --
KVA Code: N
Max KVAR: 0.6
Power Factor: 75.5
Bearing - DE: 6205ZC3
Bearing - ODE: 6205ZC3

Enclosure is Totally Enclosed Fan-Cooled

Stamped Nameplate Notes:

DE BRG 25BC02JP30 ODE BRG 25BC02JP30
 EXCEPTION TO IEEE-STD-841-2009: DUAL VOLTAGE
 STAMP NP249A5564P051 AS BELOW:
 MODEL:5KS143SAA205D3 S/N: XXX
 CSA CERTIFIED CSA09.2216219 FOR EX NA IIC 200C GC
 CL 1 ZONE2 AEX NA IIC 200C;CL 1 DIV2 GRP ABCD 200C
 IN -40C <= AMB <= 40C, 1.0 SF ON SINE-WAVE PWR
 SURF TEMP 200C AT 1.15SF ON SINE-WAVE PWR
 OR 200C VT OR 200C CT OR 200C CHP PWM CONTROL
 ALTERNATE RATING FOR PWM CONTROL 1.0SF 40C AMB
 VT 0-60 HZ, CT 3-60 HZ, CHP 60-90 HZ.



Additional Information:

4P - T EXTN
STANDARD FLOOR MOUNT
C/BOX 30 CU IN-0.75 NPT
F1 CONDUIT BOX MOUNTING
PAINTED FRAME ID & SHAFT,
FAN COVER INSIDE & ODE E/S OUTSIDE
ROUTINE AND 5 POINT VIBRATION TESTS INCL IN C/BOX
GROUND SCREW ON FRAME
SHAFT RUNOUT LIMIT .001" TIR
OIL RESISTANT SLEEVING ON LEADS



Performance Characteristics

1st Winding 1st Connection

Design: 14BD1132A

Marks:

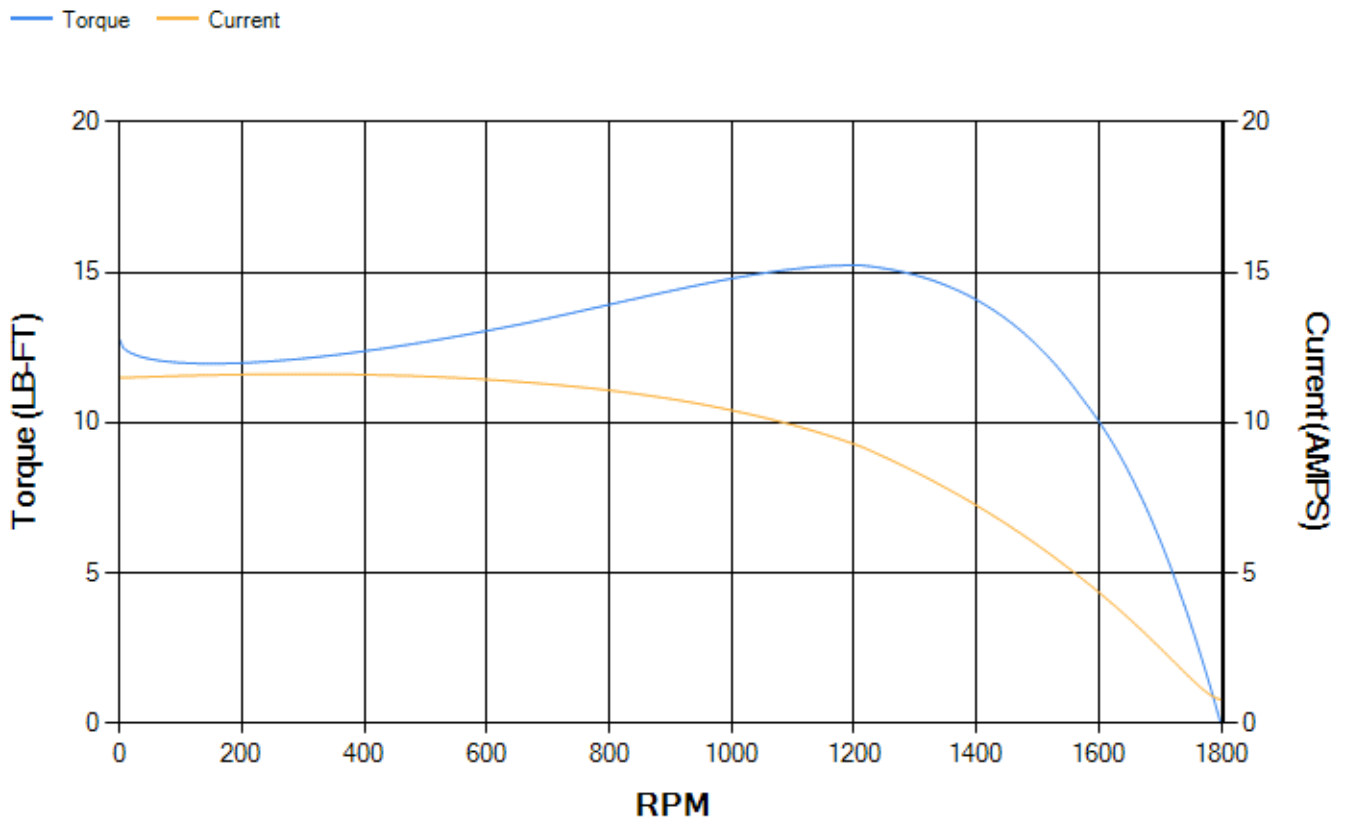
LOAD %	125.0	115.0	100.0	75.0	50.0	25.0	0.0
% EFF	85.57	85.86	86.3	85.73	83.41	74.84	0.00
% PF	80.51	78.71	76.88	67.12	54.15	34.56	8.73
AMPS	1.7	1.59	1.4	1.22	1.04	0.9	0.79

TORQ(FL)#FT	3	TORQ(LR)%FL	425.24	TORQ(BD)%FL	490.8
AMPS(LR)	11.49	PF AT START	0.66		

This motor is capable of two cold or one hot start with a maximum connected load inertia of 93 Lb-Ft Sq (3.92 Kg-meter Sq)at 100% voltage, where the load torque varies with the square of the speed. Acceleration time with maximum inertia and the above load type is 45 seconds. Safe stall time at 100% voltage is 98 seconds cold, 82 seconds hot. Rotor inertia is 0.09 Lb-Ft Sq (0 Kg-meter Sq).

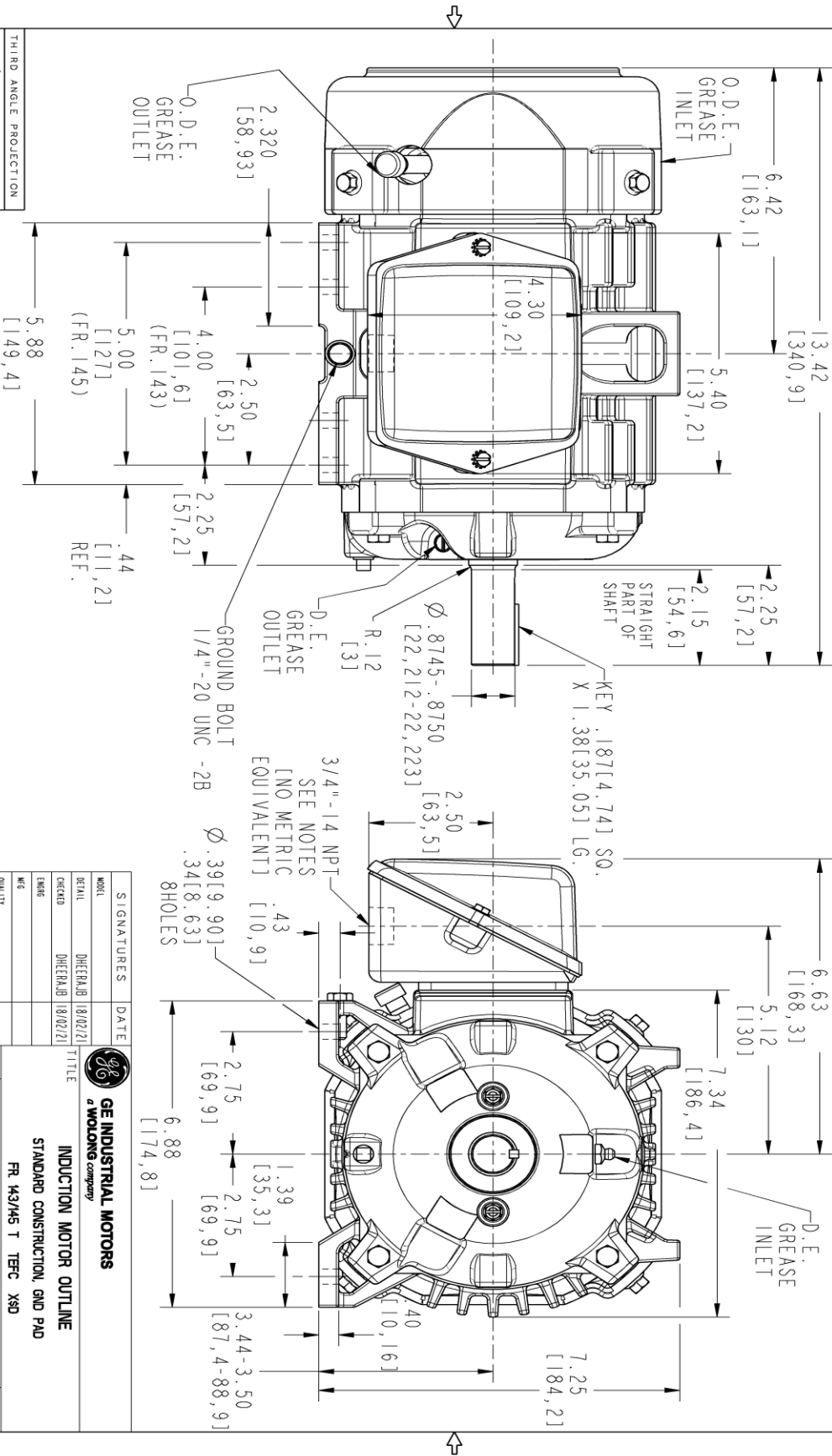
Open Circuit A-C:	0.143	Short Circuit D-C:	0.005
Short Circuit A-C:	0.006	X/R Ratio:	1.88
Stator Slots:	36	Rotor Slots:	48

Speed Torque Current Curve (First Connection, First Speed)



Marks:

NOTE 1: CONDUIT BOX MAY BE ASSEMBLED WITH ENTRANCE UP, DOWN OR TO EITHER SIDE.
 NOTE 2: FI ASSEMBLY AS SHOWN.
 NOTE 3: ALL DIMENSIONS ARE IN INCHES AND BRACKETED DIMENSIONS ARE IN METRIC [mm].



PROPRIETARY INFORMATION
 All rights reserved. This document and the information it contains is the property of the Motorg Electric America LLC and/or its affiliates. It has been provided solely for transmission or delivery to the recipient and any other use, reproduction, or distribution is strictly prohibited except as expressly authorized in writing by the Motorg Electric America LLC.

SIZE	DRAWING NO.	REV	SHEET
B	4002B5814PAP5425	0	1
REVISIONS			
REV.	DESCRIPTION	DATE	APPROVED

SIGNATURES	DATE
MODEL	DHEERABJ [18/02/21]
DETAIL	DHEERABJ [18/02/21]
CHKD	DHEERABJ [18/02/21]
ENGR	
QC	
QUALITY	
ISSUED	DHEERABJ [18/02/21]
SOLID MODEL:	4002B5814PAP5425

SCALE: 0.500 REF. No.: 4002B5814PAP201

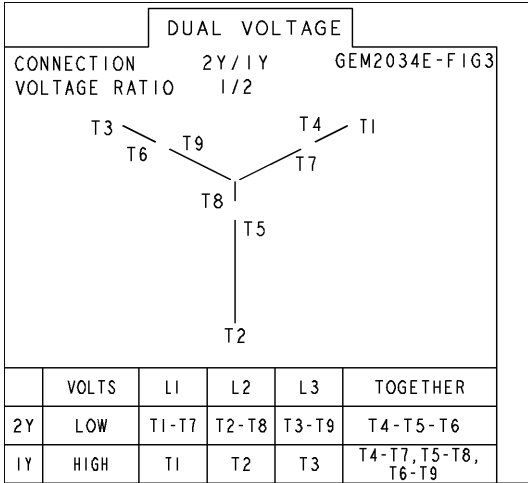
GE INDUSTRIAL MOTORS
 a WOLONG company

INDUCTION MOTOR OUTLINE
 STANDARD CONSTRUCTION, GND PAD
 FR 143/45 T TFC XSD

SIZE/DRAWING: 4002B5814PAP5425
 REV: 0

Marks:

Connection Diagram
GEM2034E-FIG3



End shield Assembly		
Part Description	DE Side Part#	ODE Side Part#
End Shield	4004D5280PB1	4004D5280SG1
Bearing	235A2500AF01	235A2500AF01
Slinger/Inproseal	149C4399G15	149C4399G15

Fan & Fan Cover Assembly	
Part Description	Part#
Fan	4001A5914AM-G01
Fan Cover	4003C5785PA1

Conduit & Accessories Box Assembly	
Part Description	Part#
Conduit Box	4002B5718PA-G01

Mechanical Accessories	
Part Description	Part#
Brake	
Tachometer	

