



**GE INDUSTRIAL MOTORS**  
a **WOLONG** company

# Product Technical Information

April 8, 2021

Data shown is for the current revision model #. Ensure your nameplate model # matches.

<b>Model Number:</b>	<b>5KS145SAA305D2</b>
<b>Catalog Number:</b>	<b>M484</b>
<b>Instruction Manual:</b>	GEI-56128
<b>Connection Diagram:</b>	GEM2034E-FIG3
<b>Outline Drawing:</b>	4002B5814PAP5425

## Accessory Connection Diagrams

<b>Bearing Thermocouple:</b>	None	<b>Heater:</b>	None
<b>RTD:</b>	None	<b>Thermistor:</b>	None
<b>Thermostat:</b>	None	<b>Winding Thermocouple:</b>	None
<b>Bearing RTD:</b>	None		

## Table of Contents

Specification	01
Performance Characteristics	02
Outline Drawing	03
Connection Drawing(s)	04
Spare parts	05

Marks:

<b>MODEL NUMBER:</b>	<b>5KS145SAA305D2</b>	<b>Estimated Weight:</b>	50 Lbs
<b>Outline Drawing:</b>	4002B5814PAP5425	<b>Time Rating:</b>	CONT
<b>Connection Diagram:</b>	GEM2034E-FIG3	<b>Enclosure:</b>	TEFC
<b>Instruction Book:</b>	GEI-56128	<b>Encl Construction:</b>	841
<b>Design Code:</b>	14BD3013AA	<b>Ambient Max(°C):</b>	40
<b>Type:</b>	KS	<b>Alt Ambient Max(°C):</b>	--
<b>Frame:</b>	145T	<b>Insulation Class:</b>	H
<b>Phases:</b>	3	<b>NEMA Design:</b>	B
<b>Poles:</b>	6	<b>Nominal Efficiency:</b>	82.5 %
<b>Output Power:</b>	1HP 0.7KW	<b>Guaranteed Efficiency:</b>	81.5 %
<b>RPM:</b>	1140	<b>3/4 Load Efficiency:</b>	--
<b>Voltage:</b>	230/460	<b>KVA Code:</b>	N
<b>Hertz:</b>	60	<b>Max KVAR:</b>	0.9
<b>Amps - FL:</b>	3.6/1.8	<b>Power Factor:</b>	62.5
<b>Service Factor:</b>	1.15	<b>Bearing - DE:</b>	6205ZC3
<b>Alt Service Factor:</b>	--	<b>Bearing - ODE:</b>	6205ZC3

Enclosure is Totally Enclosed Fan-Cooled

---

Stamped Nameplate Notes:

DE BRG 25BC02JP30 ODE BRG 25BC02JP30  
 EXCEPTION TO IEEE-STD-841-2009: DUAL VOLTAGE  
 STAMP NP249A5564P051 AS BELOW:  
 MODEL:5KS145SAA305D2 S/N: XXX  
 CSA CERTIFIED CSA09.2216219 FOR EX NA IIC 200C GC  
 CL 1 ZONE2 AEX NA IIC 200C;CL 1 DIV2 GRP ABCD 200C  
 IN -40C <= AMB <= 40C, 1.0 SF ON SINE-WAVE PWR  
 SURF TEMP 200C AT 1.15SF ON SINE-WAVE PWR  
 OR 200C VT OR 200C CT OR 200C CHP PWM CONTROL  
 ALTERNATE RATING FOR PWM CONTROL 1.0SF 40C AMB  
 VT 0 - 60 HZ, CT 3-60 HZ, CHP 60-90 HZ.



**Additional Information:**

6P - T EXTN  
STANDARD FLOOR MOUNT  
C/BOX 30 CU IN-0.75 NPT  
F1 CONDUIT BOX MOUNTING  
PAINTED FRAME ID & SHAFT,  
FAN COVER INSIDE & ODE E/S OUTSIDE  
ROUTINE AND 5 POINT VIBRATION TESTS INCL IN C/BOX  
GROUND SCREW ON FRAME  
SHAFT RUNOUT LIMIT .001" TIR  
OIL RESISTANT SLEEVING ON LEADS



**Performance Characteristics**

1st Winding 1st Connection

**Design: 14BD3013AA**

**Marks:**

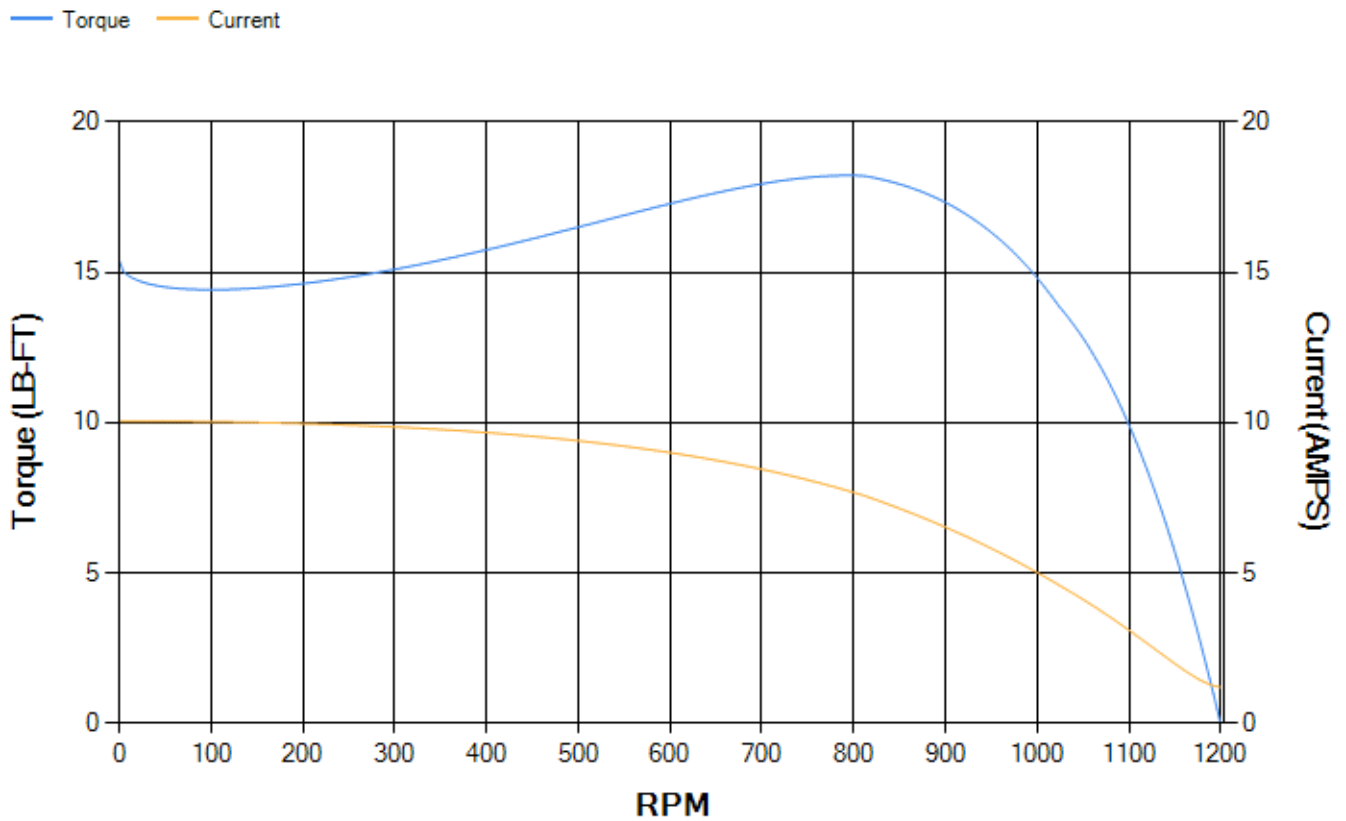
LOAD %	125.0	115.0	100.0	75.0	50.0	25.0	0.0
% EFF	82.19	82.64	83.26	82.78	80.18	70.58	0.00
% PF	68.87	66.5	64.12	53.07	40.69	25.05	7.05
AMPS	2.07	1.96	1.75	1.6	1.43	1.32	1.2

<b>TORQ(FL)#FT</b>	4.55	<b>TORQ(LR)%FL</b>	337.77	<b>TORQ(BD)%FL</b>	386.93
<b>AMPS(LR)</b>	10.05	<b>PF AT START</b>	0.59		

This motor is capable of two cold or one hot start with a maximum connected load inertia of 218 Lb-Ft Sq (9.18 Kg-meter Sq)at 100% voltage, where the load torque varies with the square of the speed. Acceleration time with maximum inertia and the above load type is 59 seconds. Safe stall time at 100% voltage is 131 seconds cold, 101 seconds hot. Rotor inertia is 0.11 Lb-Ft Sq (0 Kg-meter Sq).

<b>Open Circuit A-C:</b>	0.079	<b>Short Circuit D-C:</b>	0.006
<b>Short Circuit A-C:</b>	0.007	<b>X/R Ratio:</b>	2.353
<b>Stator Slots:</b>	36	<b>Rotor Slots:</b>	48

**Speed Torque Current Curve (First Connection, First Speed)**

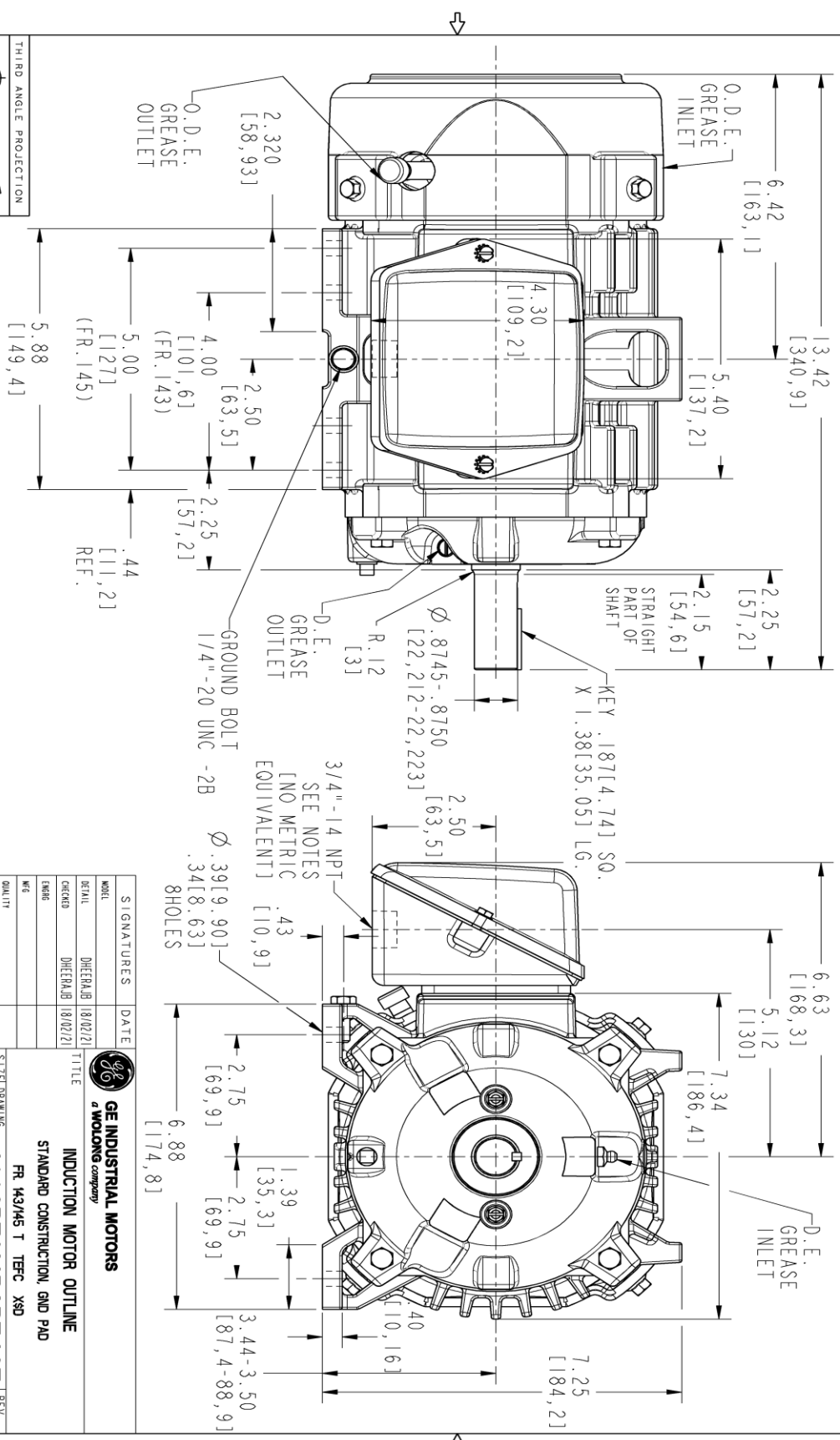


Marks:

NOTE 1: CONDUIT BOX MAY BE ASSEMBLED WITH ENTRANCE UP, DOWN OR TO EITHER SIDE.

NOTE 2: FI ASSEMBLY AS SHOWN.

NOTE 3: ALL DIMENSIONS ARE IN INCHES AND BRACKETED DIMENSIONS ARE IN METRIC [mm].



PROPRIETARY INFORMATION

All rights reserved. This document and the information it contains is the property of the Moog Electric America LLC and/or its affiliates. It has been provided solely for transmission to the recipient for the purpose of facilitating the recipient's internal use. No other use, reproduction, or distribution is strictly prohibited except as expressly authorized in writing by the Moog Electric America LLC.

SIZE: DRAWING NO. **B** 4002B5814PAP5425

REV. SHEET 0 1

REVISIONS			
REV.	DESCRIPTION	DATE	APPROVED

SIGNATURES	DATE

MODEL: DHEERAB [18/02/21]

DETAIL: DHEERAB [18/02/21]

ENGR: [ ]

WEG: [ ]

QUALITY: [ ]

ISSUED: DHEERAB [18/02/21]

SOLID MODEL: 4002B5814PAP5425

SCALE: 0.500 REF. No.: 4002B5814PAP201

SHEET 1 OF 1



TITLE: INDUCTION MOTOR OUTLINE

STANDARD CONSTRUCTION, GND PAD

FR. 143/45 T TFC XSD

SIZE: DRAWING 4002B5814PAP5425

REV 0

Marks:

**Connection Diagram**  
**GEM2034E-FIG3**



End shield Assembly		
Part Description	DE Side Part#	ODE Side Part#
End Shield	4004D5280PB1	4004D5280SG1
Bearing	235A2500AF01	235A2500AF01
Slinger/Inproseal	149C4399G15	149C4399G15

Fan & Fan Cover Assembly	
Part Description	Part#
Fan	4001A5914AM-G01
Fan Cover	4003C5785PA1

Conduit & Accessories Box Assembly	
Part Description	Part#
Conduit Box	4002B5718PA-G01

Mechanical Accessories	
Part Description	Part#
Brake	
Tachometer	

