



GE INDUSTRIAL MOTORS
a **WOLONG** company

Product Technical Information

June 24, 2020

Data shown is for the current revision model #. Ensure your nameplate model # matches.

Model Number:	5KS256XAA223BW8
Catalog Number:	M6625
Instruction Manual:	GEI-56128
Connection Diagram:	GEM2034E-FIG1
Outline Drawing:	4002B5825PAP5691

Accessory Connection Diagrams

Bearing Thermocouple:	None	Heater:	None
RTD:	None	Thermistor:	None
Thermostat:	None	Winding Thermocouple:	None
Bearing RTD:	None		

Table of Contents

Specification	01
Performance Characteristics	02
Outline Drawing	03
Connection Drawing(s)	04
Spare parts	05

Marks:

MODEL NUMBER:	5KS256XAA223BW8	Estimated Weight:	350 Lbs
Outline Drawing:	4002B5825PAP5691	Time Rating:	CONT
Connection Diagram:	GEM2034E-FIG1	Enclosure:	TEFC
Instruction Book:	GEI-56128	Encl Construction:	661
Design Code:	25BD1231A	Ambient Max(°C):	40
Type:	KS	Alt Ambient Max(°C):	--
Frame:	256T	Insulation Class:	H
Phases:	3	NEMA Design:	B
Poles:	4	Nominal Efficiency:	93 %
Output Power:	20HP 14.8KW	Guaranteed Efficiency:	92.4 %
RPM:	1775	3/4 Load Efficiency:	93.9 %
Voltage:	460	KVA Code:	G
Hertz:	60	Max KVAR:	6.6
Amps - FL:	24.0	Power Factor:	84.0
Service Factor:	1.15	Bearing - DE:	NU309ECJ/C3
Alt Service Factor:	--	Bearing - ODE:	6309ZC3

Enclosure is Totally Enclosed Fan-Cooled

Stamped Nameplate Notes:

API-STD-661
 DE BRG 45RU03X3 ODE BRG 45BC03JP30
 IP 56
 ROLLER BEARING - FOR BELTED LOAD ONLY
 STAMP NP249A5564P051 AS BELOW:
 MODEL:5KS256XAA223BW8 S/N: XXX
 CSA CERTIFIED CSA09.2216219 FOR EX NA IIC 200 C GC
 CL1ZONE2 AEXNAIIC 200 C; CL1DIV2 GRP ABCD 200 C
 IN -25C <= AMB <= 40C, 1.0 SF ON SINE-WAVE PWR
 SURF TEMP 200 C AT 1.15 SF ON SINE-WAVE PWR
 OR 200 C VT OR 200 C CT OR 200 C CHP PWM CONTROL
 ALTERNATE RATING FOR PWM CONTROL 1.0 SF 40 C AMB
 VT 0-60 HZ, CT 6-60 HZ, CHP 60-90 HZ.



Additional Information:

4P - T EXTN
STANDARD WALL MOUNT SHAFT UP
C/BOX 137 CU IN-1.25 NPT
VERTICAL MOUNT SHAFT UP
PAINTED FRAME ID & SHAFT,
FAN COVER INSIDE & ODE E/S OUTSIDE
ROUTINE AND 5 POINT VIBRATION TESTS INCL IN C/BOX
INPRO SEAL BOTH ENDS
GROUND SCREW ON FRAME
SHAFT RUNOUT LIMIT .001" TIR
COPPER WASHER UNDER HEADS OF BEARING CAP BOLTS
APPLY TITE-SEAL (A50CD427A) ON BEARING CAP SCREWS, RABBETS,
AND PLUG THREADS
OIL RESISTANT SLEEVING ON LEADS
B5F4C4 HIGH FATIGUE STEEL AISI 4142 SHAFT MATERIAL



Performance Characteristics

1st Winding 1st Connection

Design: 25BD1231A

Marks:

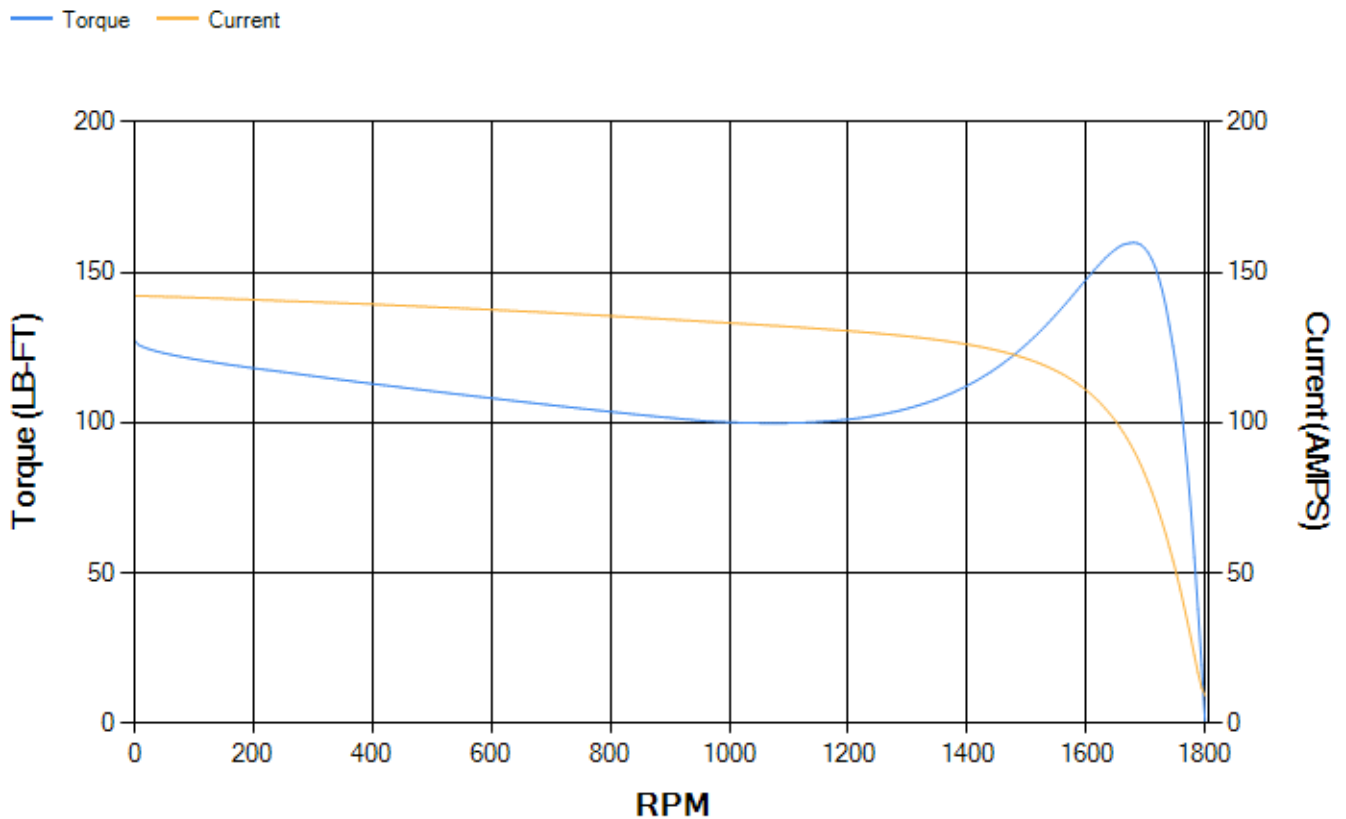
LOAD %	125.0	115.0	100.0	75.0	50.0	25.0	0.0
% EFF	92.54	92.92	93.59	93.87	93.62	90.86	0.00
% PF	85.7	85.21	83.96	79.72	70.03	47.68	4.28
AMPS	29.5	27.19	23.82	18.76	14.27	10.8	9.18

TORQ(FL)#FT	59.15	TORQ(LR)%FL	215.43	TORQ(BD)%FL	269.28
AMPS(LR)	142.25	PF AT START	0.45		

This motor is capable of two cold or one hot start with a maximum connected load inertia of 726 Lb-Ft Sq (30.56 Kg-meter Sq)at 100% voltage, where the load torque varies with the square of the speed. Acceleration time with maximum inertia and the above load type is 45 seconds. Safe stall time at 100% voltage is 98 seconds cold, 64 seconds hot. Rotor inertia is 3.01 Lb-Ft Sq (0.13 Kg-meter Sq).

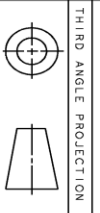
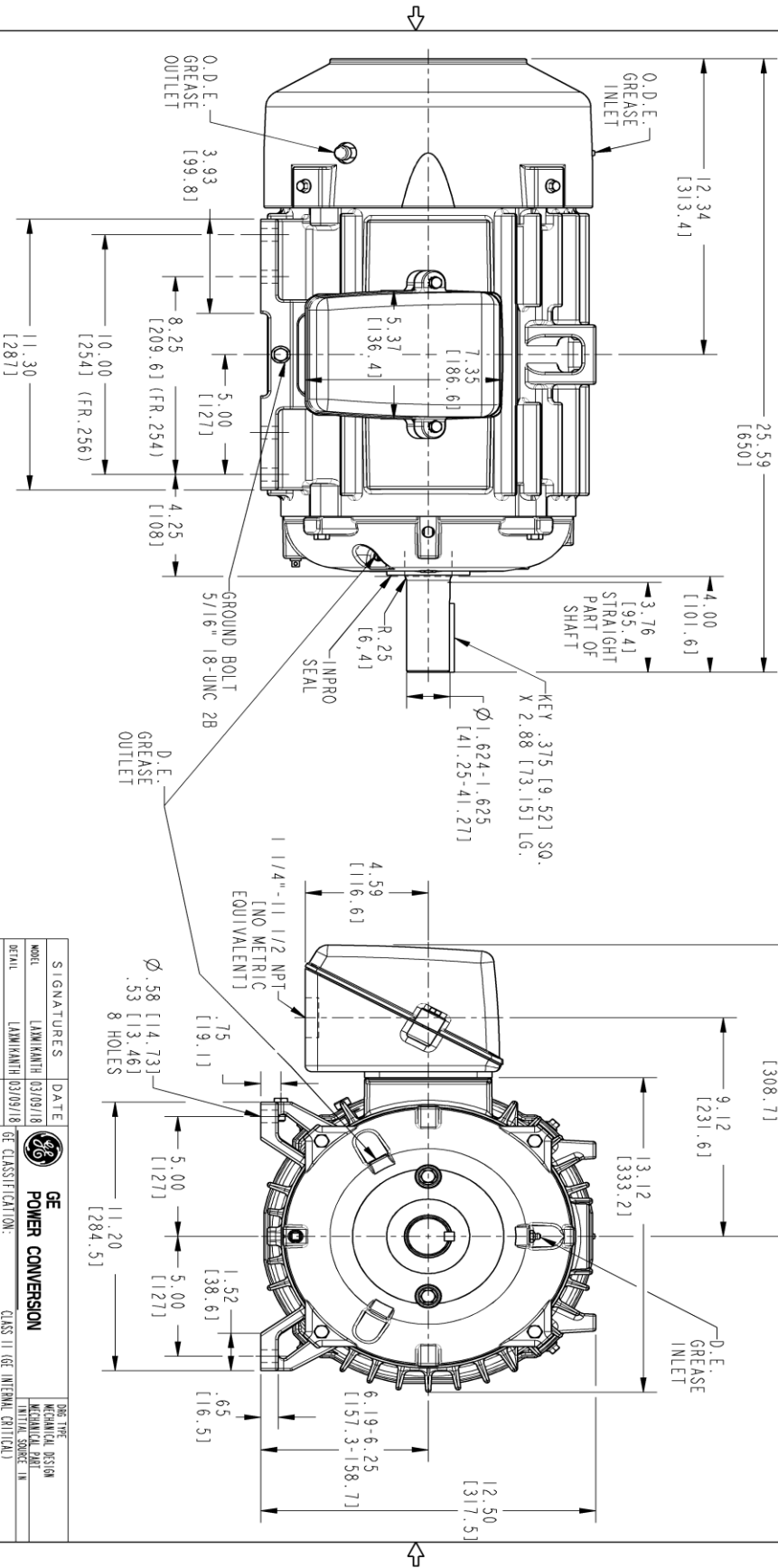
Open Circuit A-C:	0.48	Short Circuit D-C:	0.014
Short Circuit A-C:	0.024	X/R Ratio:	5.314
Stator Slots:	48	Rotor Slots:	40

Speed Torque Current Curve (First Connection, First Speed)



Marks:

NOTE 1: CONDUIT BOX MAY BE ASSEMBLED WITH ENTRANCE UP, DOWN OR TO EITHER SIDE.
 NOTE 2: F1 ASSEMBLY AS SHOWN. F2 ASSEMBLY CONDUIT BOX ON OPPOSITE SIDE FROM SHOWN LOCATION.
 NOTE 3: SHAFT RUNOUT WILL NOT EXCEED .001 T. I. R.
 NOTE 4: ALL DIMENSIONS ARE IN INCHES, BRACKETED DIMENSIONS ARE IN METRIC (MILLIMETERS).



SOLID MODEL: 4002B5825PAP5691

SIZE DRAWING NO. B

4002B5825PAP5691 000

REV SHEET

REV.	DESCRIPTION	DATE	APPROVED

SIGNATURES	DATE	REV	DESCRIPTION
DESIGNER: LAKSHIKANTH	03/09/18		
DRAWN: LAKSHIKANTH	03/09/18		
CHECKED: RAGHU	03/09/18		
ENG: SHIVANATHI	03/09/18		
ISSUED: LAKSHIKANTH	03/09/18		

GE POWER CONVERSION
INDUCTION MOTOR OUTLINE
STANDARD CONSTRUCTION FOR IEEE-841 SPEC.
FMR-FR250T TFC, SHAFT UP CONSTRUCTION
4002B5825PAP5691 000

SCALE: 0.250 REF. No. 4002B5825PAP311
 SHEET 1 of 1

Marks:

Connection Diagram
GEM2034E-FIG1



End shield Assembly		
Part Description	DE Side Part#	ODE Side Part#
End Shield	4004D5283PB1	4004D5283SE1
Bearing	235A2527AA01	235A2507EB01
Slinger/Inproseal	4002B5914GF3	4002B5914AG4

Fan & Fan Cover Assembly	
Part Description	Part#
Fan	159C6700G02
Fan Cover	4003C5788PA1

Conduit & Accessories Box Assembly	
Part Description	Part#
Conduit Box	4002B5728PA-G04

Mechanical Accessories	
Part Description	Part#
Brake	
Tachometer	

