



GE INDUSTRIAL MOTORS
a **WOLONG** company

Product Technical Information

February 17, 2023

Data shown is for the current revision model #. Ensure your nameplate model # matches.

Model Number:	5KGS405SAA208
Catalog Number:	M8806
Instruction Manual:	GEI-56128
Connection Diagram:	GEM2034E-FIG1
Outline Drawing:	239C6400AA

Accessory Connection Diagrams

Bearing Thermocouple:	None	Heater:	None
RTD:	None	Thermistor:	None
Thermostat:	None	Winding Thermocouple:	None
Bearing RTD:	None		

Table of Contents

Specification	01
Performance Characteristics	02
Outline Drawing	03
Connection Drawing(s)	04
Spare parts	05

Marks:

MODEL NUMBER:	5KGS405SAA208	Estimated Weight:	1550 Lbs
Outline Drawing:	239C6400AA	Time Rating:	CONT
Connection Diagram:	GEM2034E-FIG1	Enclosure:	TEFC
Instruction Book:	GEI-56128	Encl Construction:	X\$D
Design Code:	40BD1161A	Ambient Max(°C):	40
Type:	KGS	Alt Ambient Max(°C):	--
Frame:	405T	Insulation Class:	H
Phases:	3	NEMA Design:	C
Poles:	4	Nominal Efficiency:	95.4 %
Output Power:	100HP 74KW	Guaranteed Efficiency:	95.0 %
RPM:	1780	3/4 Load Efficiency:	--
Voltage:	460	KVA Code:	G
Hertz:	60	Max KVAR:	28.6
Amps - FL:	115.0	Power Factor:	85.5
Service Factor:	1.15	Bearing - DE:	6316ZC3
Alt Service Factor:	--	Bearing - ODE:	6316ZC3

Enclosure is Totally Enclosed Fan-Cooled

Stamped Nameplate Notes:

INVERTER DUTY PER NEMA MG1 PART 31
 ALTERNATE RATING FOR PWM CONTROL:1.0SF 40C AMBIENT
 VAR TORQUE RANGE 0-60 HZ



Additional Information:

4P - T EXTN
C/BOX 700 CU IN - 3.00" NPT
OIL RESISTANT SLEEVING ON LEADS
F1 MOUNTING



Performance Characteristics

1st Winding 1st Connection

Design: 40BD1161A

Marks:

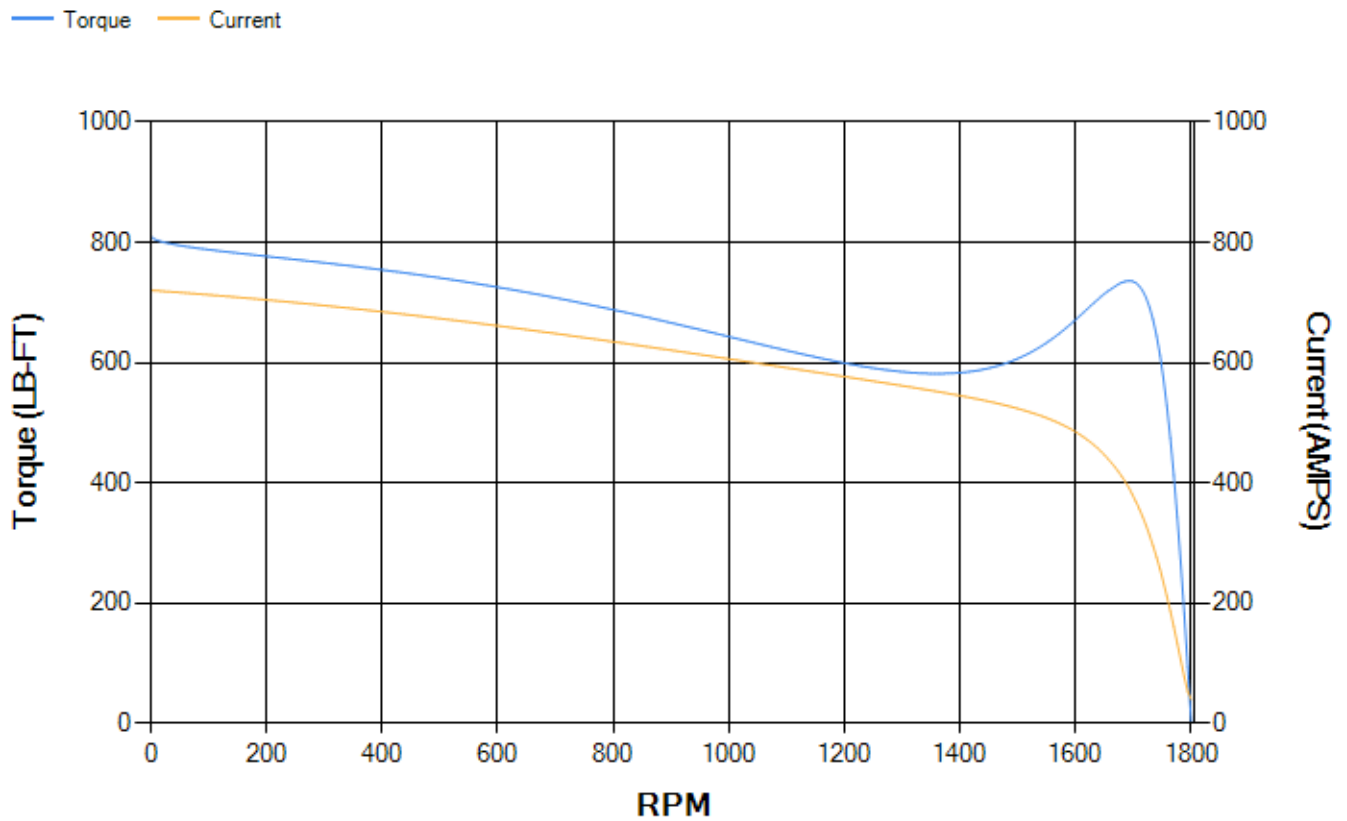
LOAD %	125.0	115.0	100.0	75.0	50.0	25.0	0.0
% EFF	94.69	94.98	95.55	95.77	95.72	94.04	0.00
% PF	86.5	86.22	85.33	81.9	73.33	51.31	3
AMPS	142.84	131.45	114.8	89.5	66.67	48.49	39.95

TORQ(FL)#FT	295.33	TORQ(LR)%FL	274.67	TORQ(BD)%FL	248.76
AMPS(LR)	720.31	PF AT START	0.46		

This motor is capable of two cold or one hot start with a maximum connected load inertia of 1924 Lb-Ft Sq (81 Kg-meter Sq)at 100% voltage, where the load torque varies with the square of the speed. Acceleration time with maximum inertia and the above load type is 19 seconds. Safe stall time at 100% voltage is 44 seconds cold, 23 seconds hot. Rotor inertia is 30.31 Lb-Ft Sq (1.28 Kg-meter Sq).

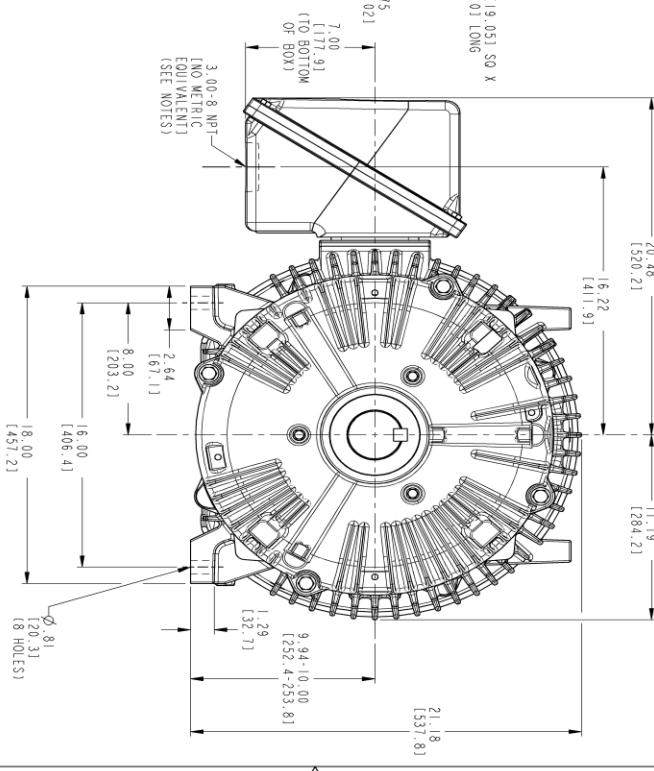
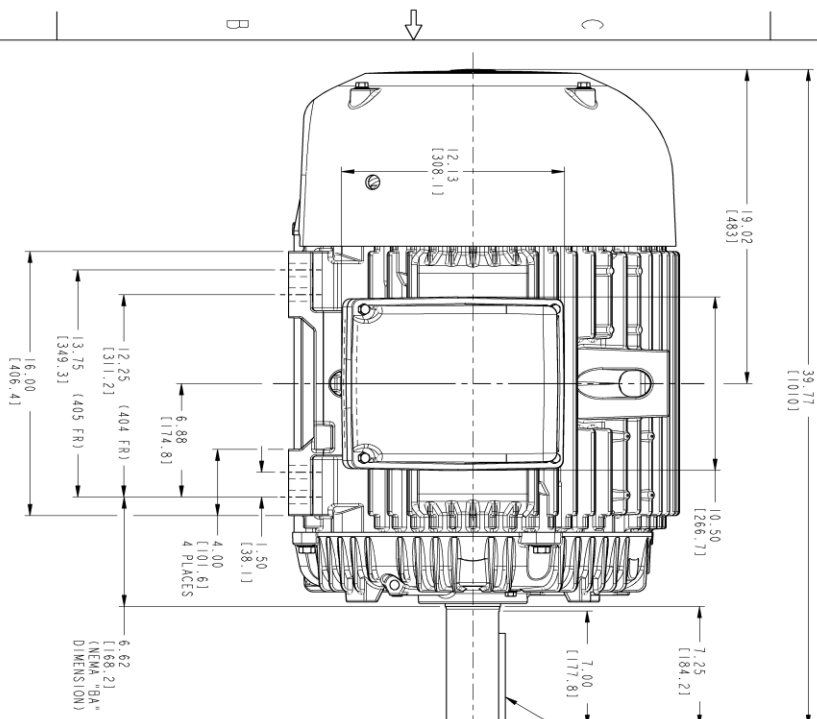
Open Circuit A-C:	0.6	Short Circuit D-C:	0.021
Short Circuit A-C:	0.026	X/R Ratio:	8.059
Stator Slots:	72	Rotor Slots:	58

Speed Torque Current Curve (First Connection, First Speed)



Marks:

REVISION INFORMATION		TITLE	
REV.	DESCRIPTION	DATE	APPROVED
1	ADDED FAN RING, SPACERS AND SHIELD & FAN COVER	05/23/01	D.E. BARR
2	ECH 01-1787	08/13/01	C. MUTH
3	ISAC 02-0213	02/04/02	
4	ISAC 03-2024	08/08/03	
5	ISAC #18-0869	04/29/18	PRASHANTH



- NOTES:
- CONDUIT BOX MAY BE PLACED WITH THE ENTRANCE DOWN, UP OR ON EITHER SIDE.
 - F-1 ASSEMBLY AS SHOWN.
 - F-2 ASSEMBLY HAS CONDUIT BOX ON OPPOSITE SIDE.
 - BRACKETED DIMENSIONS ARE METRIC (MILLIMETERS).

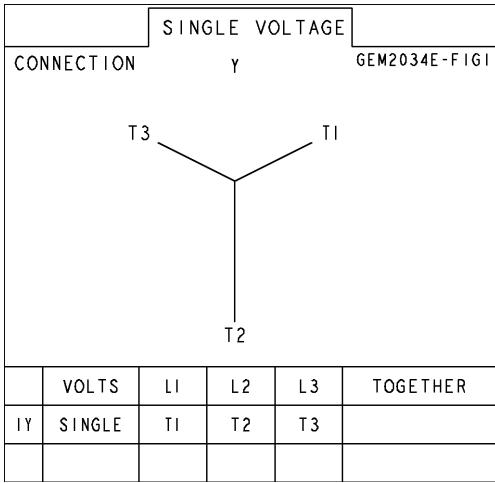


SIGNATURES		DATE	
MODEL	J.M. JONGEN	03/29/00	
CHECKED	W. ELLSWORTH	05/11/00	
DATE	0.51AM	05/11/00	
W/E			
QUALITY			
ISSUED	W. ELLSWORTH	05/11/00	
SOLD MODEL:	239C6400AA		

GE INDUSTRIAL MOTORS a WOLONG company	
OUTLINE 404/405T TEFC 700 CU. IN. CONDUIT BOX	
SCALE:	0.250
REF. NO.:	
REV.	005
SHEET	1 OF 1

Marks:

Connection Diagram
GEM2034E-FIG1



End shield Assembly		
Part Description	DE Side Part#	ODE Side Part#
End Shield	115E4304AA1	115E4304LL1
Bearing	235A2518AC01	235A2518AC01
Slinger/Inproseal	149C4399G06	149C4399G06

Fan & Fan Cover Assembly	
Part Description	Part#
Fan	159C7100AA1
Fan Cover	128D6832AA1

Conduit & Accessories Box Assembly	
Part Description	Part#
Conduit Box	118D4408AD2

Mechanical Accessories	
Part Description	Part#
Brake	
Tachometer	

