



GE INDUSTRIAL MOTORS
a **WOLONG** company

Product Technical Information

June 22, 2020

Data shown is for the current revision model #. Ensure your nameplate model # matches.

Model Number:	5KS326SAA271D2
Catalog Number:	M8967
Instruction Manual:	GEI-56128
Connection Diagram:	GEM2034E-FIG7
Outline Drawing:	239C6001AE

Accessory Connection Diagrams

Bearing Thermocouple:	None	Heater:	None
RTD:	None	Thermistor:	None
Thermostat:	None	Winding Thermocouple:	None
Bearing RTD:	None		

Table of Contents

Specification	01
Performance Characteristics	02
Outline Drawing	03
Connection Drawing(s)	04
Spare parts	05

Marks:

MODEL NUMBER:	5KS326SAA271D2	Estimated Weight:	710 Lbs
Outline Drawing:	239C6001AE	Time Rating:	CONT
Connection Diagram:	GEM2034E-FIG7	Enclosure:	TEFC
Instruction Book:	GEI-56128	Encl Construction:	X\$D
Design Code:	32BD1183A	Ambient Max(°C):	40
Type:	KS	Alt Ambient Max(°C):	60
Frame:	326TC	Insulation Class:	H
Phases:	3	NEMA Design:	B
Poles:	4	Nominal Efficiency:	94.5 %
Output Power:	50HP 37KW	Guaranteed Efficiency:	94.1 %
RPM:	1780	3/4 Load Efficiency:	94.8 %
Voltage:	460	KVA Code:	G
Hertz:	60	Max KVAR:	17.7
Amps - FL:	60.8	Power Factor:	81.5
Service Factor:	1.15	Bearing - DE:	6312ZC3
Alt Service Factor:	1.00	Bearing - ODE:	6312ZC3

Enclosure is Totally Enclosed Fan-Cooled

Stamped Nameplate Notes:

STAMP NP249A5564P051 AS BELOW:
 MODEL:5KS326SAA271D2 S/N: XXX
 CSA CERTIFIED CSA09.2216219 FOR EX NA IIC 200 C GC
 CL 1 ZONE2 AEX NA IIC 200C;CL 1 DIV2 GRP ABCD 200C
 IN -40C <= AMB <= 40C, 1.0 SF ON SINE-WAVE PWR
 SURF TEMP 260C AT 1.15SF ON SINE-WAVE PWR
 OR 200C VT OR 230C CT OR 200C CHP PWM CONTROL
 ALTERNATE RATING FOR PWM CONTROL 1.0SF 40C AMB
 VT 0 - 60 HZ, CT 10-60 HZ, CHP 60-90 HZ.

Additional Information:

4P - T EXTN
 C FACE ON DE
 346 CU IN - 3.00" NPT
 OIL RESISTANT SLEEVING ON LEADS
 F1 MOUNTING



Performance Characteristics

1st Winding 1st Connection

Design: 32BD1183A

Marks:

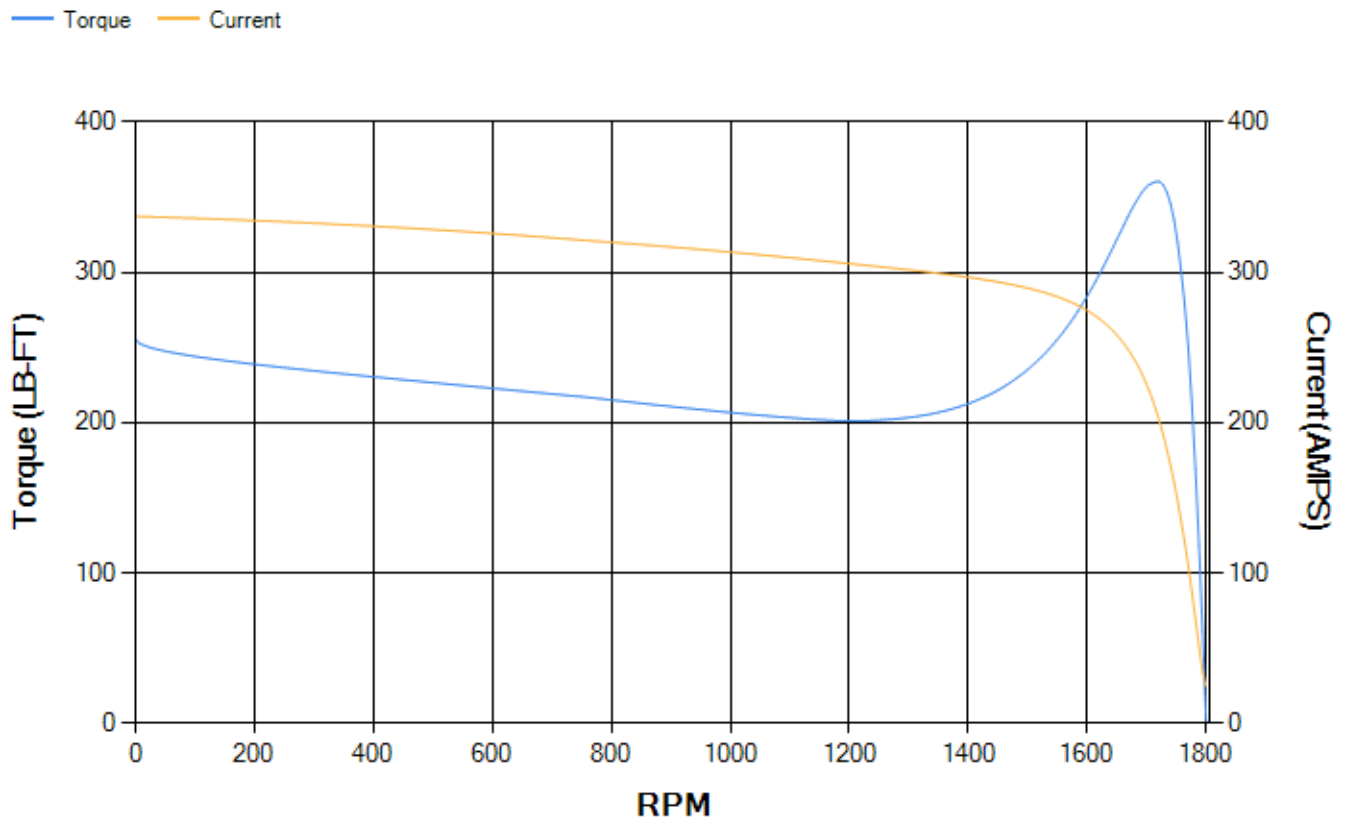
LOAD %	125.0	115.0	100.0	75.0	50.0	25.0	0.0
% EFF	93.77	94.07	94.64	94.79	94.49	91.93	0.00
% PF	83.04	82.57	81.28	76.81	66.71	44.37	3.33
AMPS	75.13	69.29	60.71	48.21	37.12	28.68	24.72

TORQ(FL)#FT	147.64	TORQ(LR)%FL	173.11	TORQ(BD)%FL	243.21
AMPS(LR)	337.38	PF AT START	0.34		

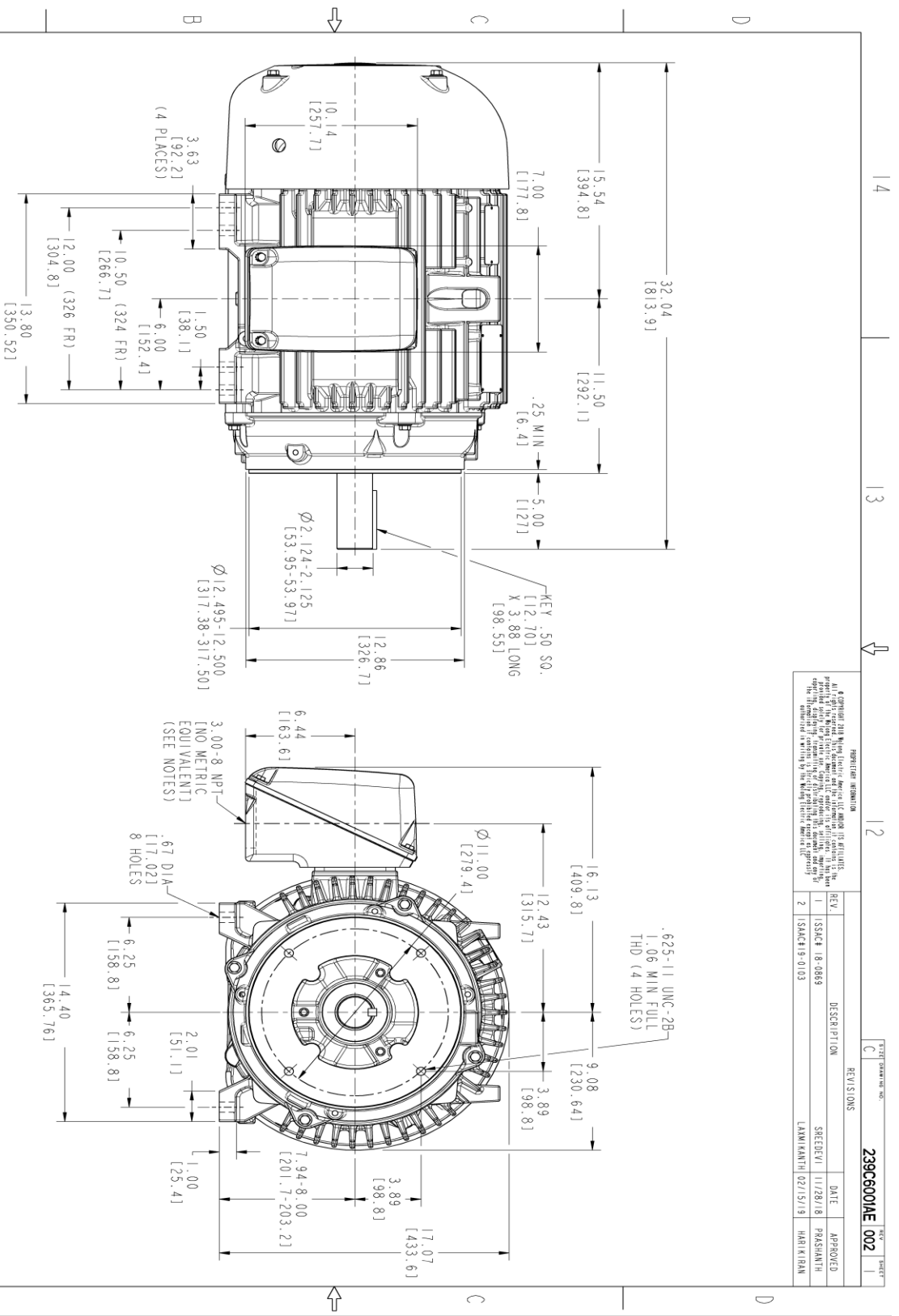
This motor is capable of two cold or one hot start with a maximum connected load inertia of 1058 Lb-Ft Sq (44.54 Kg-meter Sq)at 100% voltage, where the load torque varies with the square of the speed. Acceleration time with maximum inertia and the above load type is 34 seconds. Safe stall time at 100% voltage is 78 seconds cold, 40 seconds hot. Rotor inertia is 8.52 Lb-Ft Sq (0.36 Kg-meter Sq).

Open Circuit A-C:	0.51	Short Circuit D-C:	0.023
Short Circuit A-C:	0.031	X/R Ratio:	8.712
Stator Slots:	48	Rotor Slots:	38

Speed Torque Current Curve (First Connection, First Speed)



Marks:



NOTES :

1. CONDUIT BOX MAY BE PLACED WITH THE ENTRANCE DOWN, UP OR ON EITHER SIDE.
2. F-1 ASM AS SHOWN.
3. F-2 ASM - HAS CONDUIT BOX ON OPPOSITE SIDE.
4. ALL DIMENSIONS ARE IN INCHES, BRACKETED DIMENSIONS ARE METRIC (MILLIMETERS).

REGISTRATION INFORMATION

© COPYRIGHT 2018 GE Industrial America LLC AND/OR ITS AFFILIATES. No part of this drawing may be reproduced, stored in a retrieval system, or transmitted in any form or by any means, electronic, mechanical, photocopying, recording, or by any information storage and retrieval system, without the prior written permission of GE Industrial America LLC. All rights reserved. The information contained herein is the property of GE Industrial America LLC and is confidential.

REV.	DESCRIPTION	DATE	APPROVED
1	ISSAC# 18-0869	11/28/18	PARSHANTI
2	ISSAC# 19-0103	02/15/19	HARI KIRAN

TITLE: DRAWING NO. 239C6001AE 002

REV'S: DIMS

SCALE: 0.250

MODEL	SIGNATURES	DATE
324/326 TC TFC XSD ULTRA		
346 CU IN. CONDUIT BOX		
239C6001AE		
002		

GE INDUSTRIAL MOTORS
A WOLONG COMPANY

OUTLINE

324/326 TC TFC XSD ULTRA

346 CU IN. CONDUIT BOX

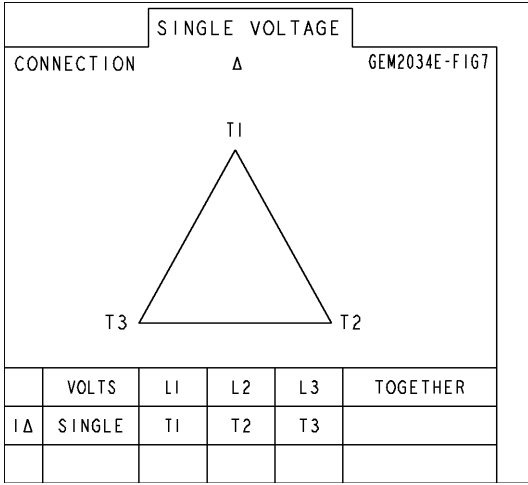
239C6001AE

002

SHEET 1 OF 1

Marks:

Connection Diagram
GEM2034E-FIG7



End shield Assembly		
Part Description	DE Side Part#	ODE Side Part#
End Shield	115E4203AA1	115E4200LA1
Bearing	235A2509AS01	235A2509AS01
Slinger/Inproseal	149C4399G04	149C4399G04

Fan & Fan Cover Assembly	
Part Description	Part#
Fan	159C6900G04
Fan Cover	128D6800AA1

Conduit & Accessories Box Assembly	
Part Description	Part#
Conduit Box	149C4429AA2

Mechanical Accessories	
Part Description	Part#
Brake	
Tachometer	

