



GE INDUSTRIAL MOTORS
a **WOLONG** company

Product Technical Information

June 25, 2020

Data shown is for the current revision model #. Ensure your nameplate model # matches.

Model Number:	5KS364XAA100
Catalog Number:	M9000
Instruction Manual:	GEI-56128
Connection Diagram:	GEM2034E-FIG7
Outline Drawing:	239C6201GR

Accessory Connection Diagrams

Bearing Thermocouple:	None	Heater:	None
RTD:	None	Thermistor:	None
Thermostat:	None	Winding Thermocouple:	None
Bearing RTD:	None		

Table of Contents

Specification	01
Performance Characteristics	02
Outline Drawing	03
Connection Drawing(s)	04
Spare parts	05

Marks:

MODEL NUMBER:	5KS364XAA100	Estimated Weight:	970 Lbs
Outline Drawing:	239C6201GR	Time Rating:	CONT
Connection Diagram:	GEM2034E-FIG7	Enclosure:	TEFC
Instruction Book:	GEI-56128	Encl Construction:	841
Design Code:	36BD0117A	Ambient Max(°C):	40
Type:	KS	Alt Ambient Max(°C):	--
Frame:	364TSC	Insulation Class:	H
Phases:	3	NEMA Design:	B
Poles:	2	Nominal Efficiency:	94.5 %
Output Power:	60HP 44.4KW	Guaranteed Efficiency:	94.1 %
RPM:	3575	3/4 Load Efficiency:	--
Voltage:	460	KVA Code:	G
Hertz:	60	Max KVAR:	19.4
Amps - FL:	70.3	Power Factor:	84.5
Service Factor:	1.15	Bearing - DE:	6314ZC3
Alt Service Factor:	--	Bearing - ODE:	6314ZC3

Enclosure is Totally Enclosed Fan-Cooled

Stamped Nameplate Notes:

IEEE-STD-841-2009
 DE BRG 70BC03JP30, ODE BRG 70BC03JP30
 STAMP NP249A5564P051 AS BELOW:
 MODEL:5KS364XAA100 S/N: XXX
 CSA CERTIFIED CSA09.2216219 FOR EX NA IIC 200 C GC
 CL 1 ZONE2 AEX NA IIC 200C;CL 1 DIV2 GRP ABCD 200C
 IN -25C <= AMB <= 40C, 1.0 SF ON SINE-WAVE PWR
 SURF TEMP 200C AT 1.15SF ON SINE-WAVE PWR
 OR 200C VT OR 230C CT OR ---C CHP PWM CONTROL
 ALTERNATE RATING FOR PWM CONTROL 1.0SF 40C AMB
 VT 0 - 60 HZ, CT 3 - 60 HZ, CHP --- HZ.



Additional Information:

2P - TS EXTN
PAINTED FRAME ID & SHAFT,
FAN COVER INSIDE & ODE E/S OUTSIDE
C FACE WITH 12.50 RABBIT ON DE
C/BOX 346 CU IN - 3.00" NPT
INPRO SEAL BOTH ENDS
OIL RESISTANT SLEEVING ON LEADS
.0015" TIR SHAFT RUNOUT
ROUTINE TEST REPORT AND 5 POINT VIBRATION TEST
REPORT INCLUDED IN C/B
COPPER WASHER UNDER HEADS OF BEARING CAP BOLTS,
APPLY TITE-SEAL (A50CD427A) ON BEARING CAP SCREWS,
RABBETS AND PLUG THREADS.
GROUND PAD
F1 MOUNTING



Performance Characteristics

1st Winding 1st Connection

Design: 36BD0117A

Marks:

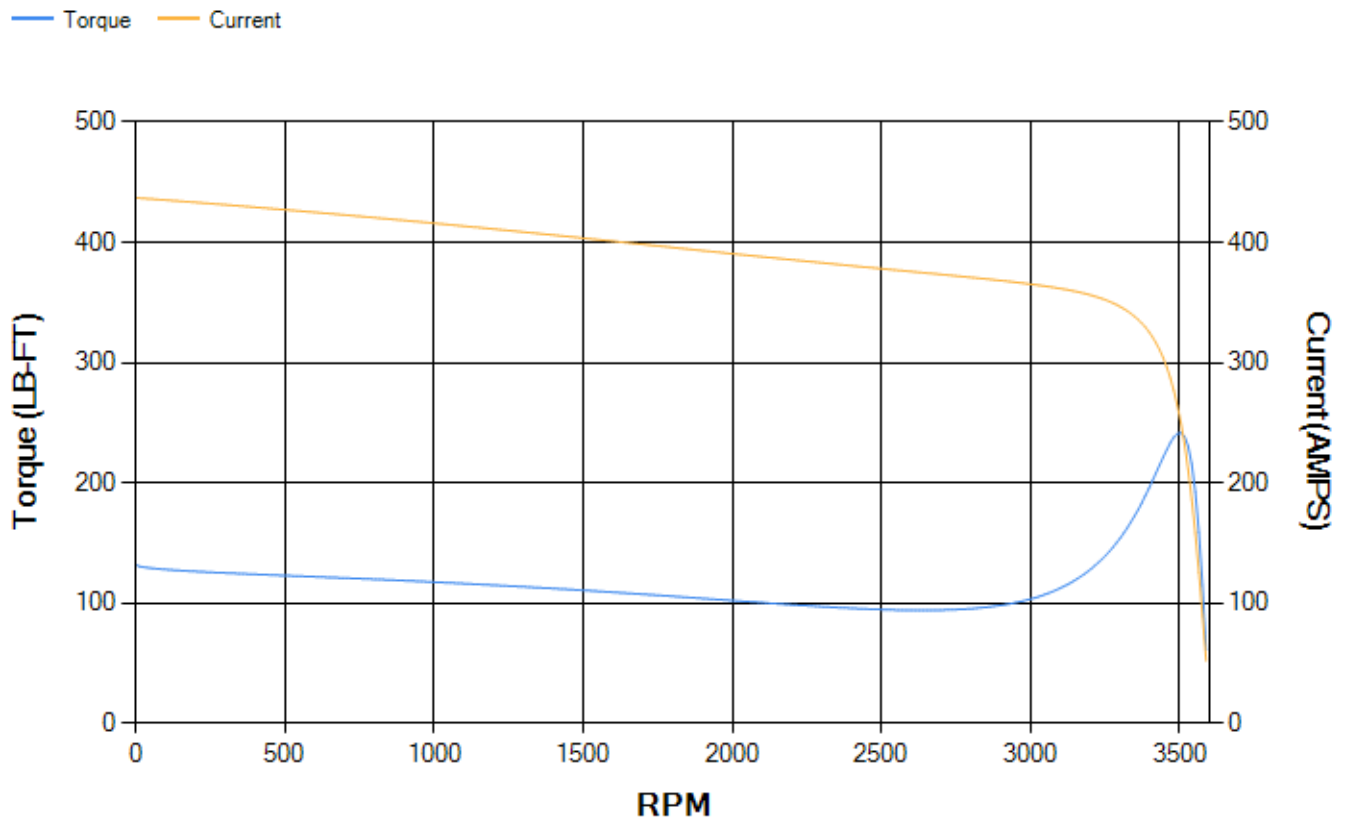
LOAD %	125.0	115.0	100.0	75.0	50.0	25.0	0.0
% EFF	94.24	94.41	94.79	94.59	93.84	90.34	0.00
% PF	86.22	85.73	84.5	80.34	70.83	48.62	4.71
AMPS	86.39	79.79	69.97	55.42	42.24	31.96	27.02

TORQ(FL)#FT	88.11	TORQ(LR)%FL	149.66	TORQ(BD)%FL	273.86
AMPS(LR)	437.11	PF AT START	0.3		

This motor is capable of two cold or one hot start with a maximum connected load inertia of 159 Lb-Ft Sq (6.69 Kg-meter Sq)at 100% voltage, where the load torque varies with the square of the speed. Acceleration time with maximum inertia and the above load type is 22 seconds. Safe stall time at 100% voltage is 46 seconds cold, 26 seconds hot. Rotor inertia is 6.96 Lb-Ft Sq (0.29 Kg-meter Sq).

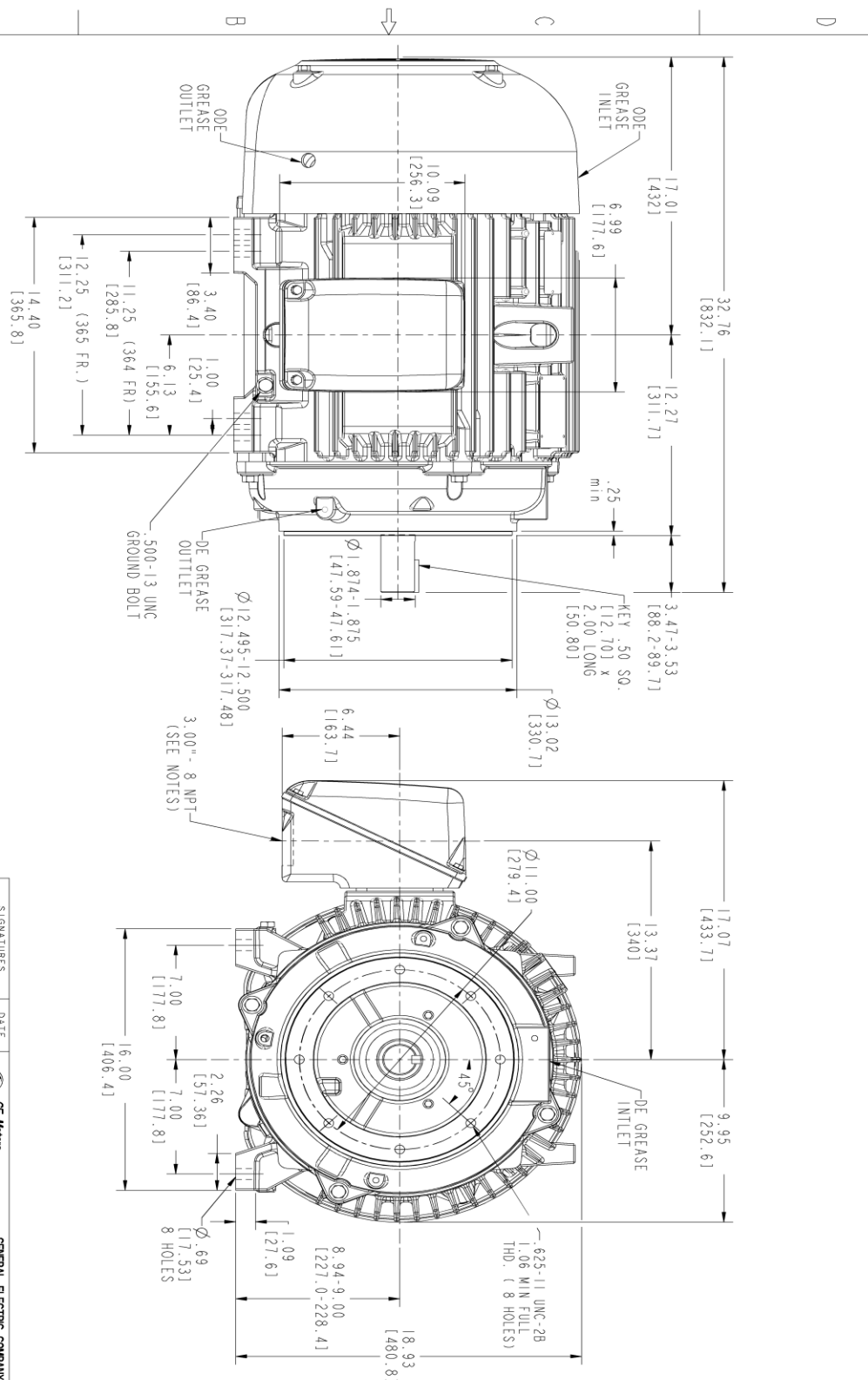
Open Circuit A-C:	0.95	Short Circuit D-C:	0.023
Short Circuit A-C:	0.055	X/R Ratio:	8.805
Stator Slots:	48	Rotor Slots:	38

Speed Torque Current Curve (First Connection, First Speed)

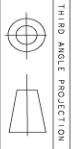


Marks:

TITLE	DRAWING NO.	REV	SHEET
C	239C620IGR	0	1
REV.	DESCRIPTION	DATE	APPROVED



- NOTES:**
- CONDUIT BOX MAY BE PLACED WITH THE ENTRANCE DOWN, UP OR ON EITHER SIDE.
 - F-1 ASM AS SHOWN.
 - F-2 ASM HAS CONDUIT BOX ON OPPOSITE SIDE.
 - BRACKETED DIMENSIONS ARE METRIC (MILLIMETERS).
 - TOLERANCE ON PERMISSIBLE SHAFT EXTENSION RUNOUT IS .0015 T.I.R



SCALE:	0.100
REF. NO.:	239C6200DD
SHEET:	1 OF 1

SIGNATURES	DATE	TITLE
MODEL: PHSAMA 087212015		
DETAIL: PHSAMA 087212015		
CHECKED: MARTIN 087212015		
DESIGN: PHSAMA 087212015		
W/E: PHSAMA 087212015		
QUALITY: PHSAMA 087212015		
ISSUED: PHSAMA 087212015		
SOLID MODEL: 239C620IGR		

GENERAL ELECTRIC COMPANY

OUTLINE

364/365 TSC TERC XSD 841

346 CU IN CONDUIT BOX, GROUND PAD

239C620IGR

REV 0

Marks:

Connection Diagram
GEM2034E-FIG7



End shield Assembly		
Part Description	DE Side Part#	ODE Side Part#
End Shield	115E4253AA1	115E4250LK1
Bearing	235A2516AC01	235A2516AC01
Slinger/Inproseal	235A4575GS3	235A4575GS3

Fan & Fan Cover Assembly	
Part Description	Part#
Fan	159C6700G02
Fan Cover	128D6810AA1

Conduit & Accessories Box Assembly	
Part Description	Part#
Conduit Box	149C4429AA2

Mechanical Accessories	
Part Description	Part#
Brake	
Tachometer	

