



GE INDUSTRIAL MOTORS
a **WOLONG** company

Product Technical Information

May 1, 2023

Data shown is for the current revision model #. Ensure your nameplate model # matches.

Model Number:	5KS445XAA2175A
Catalog Number:	M9014
Instruction Manual:	GEI-56128
Connection Diagram:	GEM2034E-FIG1
Outline Drawing:	239C6605CB

Accessory Connection Diagrams

Bearing Thermocouple:	None	Heater:	None
RTD:	None	Thermistor:	None
Thermostat:	None	Winding Thermocouple:	None
Bearing RTD:	None		

Table of Contents

Specification	01
Performance Characteristics	02
Outline Drawing	03
Connection Drawing(s)	04
Spare parts	05

Marks:

MODEL NUMBER:	5KS445XAA2175A	Estimated Weight:	2060 Lbs
Outline Drawing:	239C6605CB	Time Rating:	CONT
Connection Diagram:	GEM2034E-FIG1	Enclosure:	TEFC
Instruction Book:	GEI-56128	Encl Construction:	841
Design Code:	44BD1174A	Ambient Max(°C):	40
Type:	KS	Alt Ambient Max(°C):	--
Frame:	445TC	Insulation Class:	H
Phases:	3	NEMA Design:	B
Poles:	4	Nominal Efficiency:	95.8 %
Output Power:	150HP 111KW	Guaranteed Efficiency:	95.4 %
RPM:	1785	3/4 Load Efficiency:	--
Voltage:	460	KVA Code:	G
Hertz:	60	Max KVAR:	40.4
Amps - FL:	168.0	Power Factor:	87.0
Service Factor:	1.15	Bearing - DE:	6318ZZC3
Alt Service Factor:	--	Bearing - ODE:	6318ZZC3

Enclosure is Totally Enclosed Fan-Cooled

Stamped Nameplate Notes:

IEEE-STD-841-2009

DE BRG 90BC03JPP3, ODE BRG 90BC03JPP3

STAMP NP249A5564P051 AS BELOW:

MODEL:5KS445XAA2175A S/N: XXX

CSA CERTIFIED CSA09.2216219 FOR EX NA IIC 200 C GC

CL 1 ZONE2 AEX NA IIC 200C;CL 1 DIV2 GRP ABCD 200C

IN -25C <= AMB <= 40C, 1.0 SF ON SINE-WAVE PWR

SURF TEMP 215C AT 1.15SF ON SINE-WAVE PWR

OR 200C VT OR 230C CT OR 200C CHP PWM CONTROL

ALTERNATE RATING FOR PWM CONTROL 1.0SF 40C AMB

VT 0 - 60 HZ, CT 15-60 HZ, CHP 60-90 HZ.



Additional Information:

4P - T EXTN
PAINTED FRAME ID & SHAFT,
FAN COVER INSIDE & ODE E/S OUTSIDE
C FACE WITH 16.00 RABBIT ON DE
C/BOX 700 CU IN - 3.00" NPT
INPRO SEAL BOTH ENDS
OIL RESISTANT SLEEVING ON LEADS
.0015" TIR SHAFT RUNOUT
ROUTINE TEST REPORT AND 5 POINT VIBRATION TEST
REPORT INCLUDED IN C/B
COPPER WASHER UNDER HEADS OF BEARING CAP BOLTS,
APPLY TITE-SEAL (A50CD427A) ON BEARING CAP SCREWS,
RABBETS AND PLUG THREADS.
ROUND FRAME
GROUND PAD
VERTICAL MOUNT SHAFT DOWN WITH DRIP COVER



Performance Characteristics

1st Winding 1st Connection

Design: 44BD1174A

Marks:

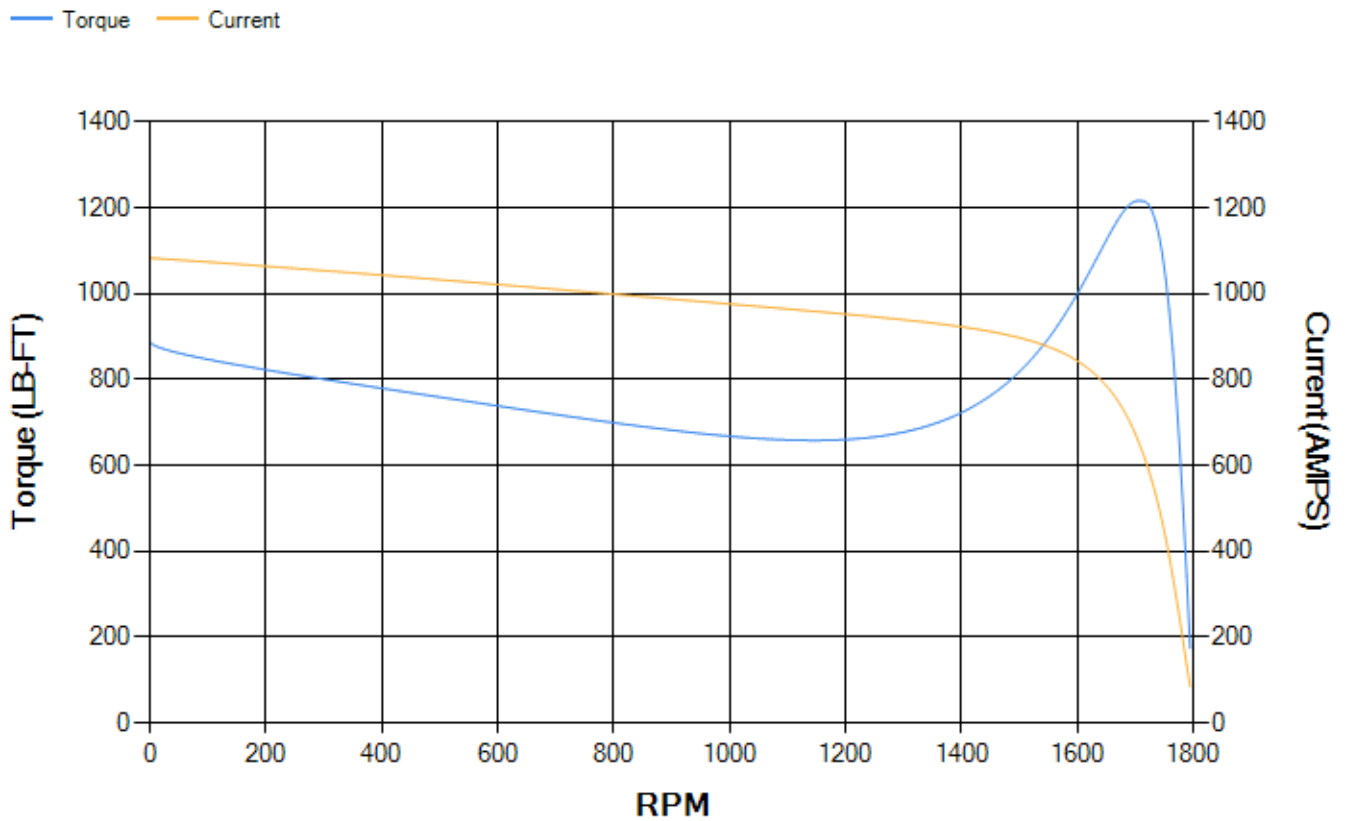
LOAD %	125.0	115.0	100.0	75.0	50.0	25.0	0.0
% EFF	95.32	95.48	95.85	95.71	95.18	92.53	0.00
% PF	88.06	87.76	86.89	83.67	75.62	54.28	4.43
AMPS	209.06	192.69	168.57	131.49	97.52	69.87	56.28

TORQ(FL)#FT	441.48	TORQ(LR)%FL	201.51	TORQ(BD)%FL	275.25
AMPS(LR)	1083.73	PF AT START	0.33		

This motor is capable of two cold or one hot start with a maximum connected load inertia of 3239 Lb-Ft Sq (136.36 Kg-meter Sq)at 100% voltage, where the load torque varies with the square of the speed. Acceleration time with maximum inertia and the above load type is 30 seconds. Safe stall time at 100% voltage is 58 seconds cold, 37 seconds hot. Rotor inertia is 71.16 Lb-Ft Sq (3 Kg-meter Sq).

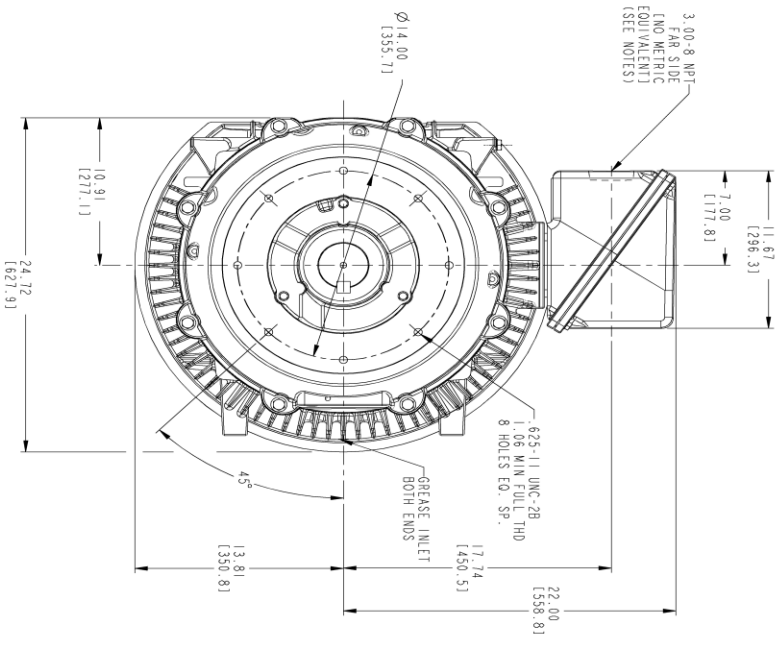
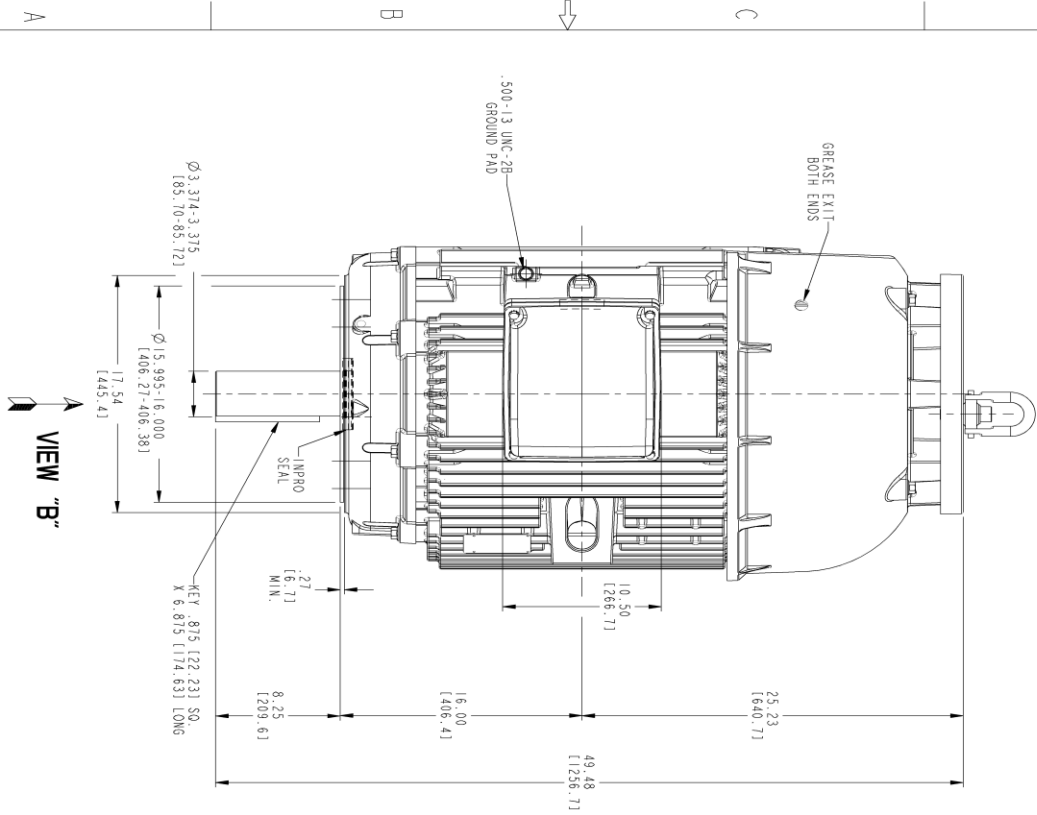
Open Circuit A-C:	0.856	Short Circuit D-C:	0.033
Short Circuit A-C:	0.04	X/R Ratio:	12.52
Stator Slots:	72	Rotor Slots:	58

Speed Torque Current Curve (First Connection, First Speed)



Marks:

- NOTES:
1. CONDUIT BOX MAY BE PLACED WITH THE ENTRANCE DOWN, UP OR ON EITHER SIDE.
 2. ALL DIMENSIONS ARE IN INCHES
BRACKETED DIMENSIONS ARE METRIC (MILLIMETERS).
 3. TOLERANCE ON PERMISSIBLE SHAFT EXTENSION
RUNOUT IS .0015 T.I.R.



VIEW "B"

VIEW "B"

THIRD ANGLE PROJECTION

REV.	DESCRIPTION	DATE	APPROVED

SIGNATURES		DATE	
DESIGN	HARRIS	06/10/16	
CHECKED	VJAY	06/10/16	
DATE			
QUALITY	HARRIS	06/10/16	
ISSUED			
SCALE: 0.180		REF. NO.	
SHEET 1 OF 1			

OUTLINE

444/451C TEC 380 84 VERT MOUNT SHFT DOWN ROUND FRAME
700 CU IN C/BOX, GROUND PAD & INPRO SEAL

239C6605CB

REV 0

TITLE DRAWING NO. 239C6605CB 0

REV'S IONS

GENERAL ELECTRIC COMPANY

Marks:

Connection Diagram
GEM2034E-FIG1



End shield Assembly		
Part Description	DE Side Part#	ODE Side Part#
End Shield	115E4357AK1	179B8804AD-G19
Bearing	235A2514AF01	235A2514AF01
Slinger/Inproseal	235A4575GS5	235A4575GS5

Fan & Fan Cover Assembly	
Part Description	Part#
Fan	159C7100G02
Fan Cover	

Conduit & Accessories Box Assembly	
Part Description	Part#
Conduit Box	118D4408AD2

Mechanical Accessories	
Part Description	Part#
Brake	
Tachometer	

