



GE INDUSTRIAL MOTORS
a **WOLONG** company

Product Technical Information

April 12, 2021

Data shown is for the current revision model #. Ensure your nameplate model # matches.

Model Number:	5KS256SAA308D2
Catalog Number:	M9114
Instruction Manual:	GEI-56128
Connection Diagram:	GEM2034E-FIG1
Outline Drawing:	4002B5825PAP5992

Accessory Connection Diagrams

Bearing Thermocouple:	None	Heater:	None
RTD:	None	Thermistor:	None
Thermostat:	None	Winding Thermocouple:	None
Bearing RTD:	None		

Table of Contents

Specification	01
Performance Characteristics	02
Outline Drawing	03
Connection Drawing(s)	04
Spare parts	05

Marks:

MODEL NUMBER:	5KS256SAA308D2	Estimated Weight:	350 Lbs
Outline Drawing:	4002B5825PAP5992	Time Rating:	CONT
Connection Diagram:	GEM2034E-FIG1	Enclosure:	TEFC
Instruction Book:	GEI-56128	Encl Construction:	841
Design Code:	25BD3100A	Ambient Max(°C):	40
Type:	KS	Alt Ambient Max(°C):	--
Frame:	256T	Insulation Class:	H
Phases:	3	NEMA Design:	B
Poles:	6	Nominal Efficiency:	91.0 %
Output Power:	10HP 7.4KW	Guaranteed Efficiency:	90.2 %
RPM:	1175	3/4 Load Efficiency:	--
Voltage:	460	KVA Code:	H
Hertz:	60	Max KVAR:	4.2
Amps - FL:	13.0	Power Factor:	79.0
Service Factor:	1.15	Bearing - DE:	6309ZC3
Alt Service Factor:	--	Bearing - ODE:	6309ZC3

Enclosure is Totally Enclosed Fan-Cooled

Stamped Nameplate Notes:

IEEE-STD-841-2009

DE BRG 45BC03JP30 ODE BRG 45BC03JP30

STAMP NP249A5564P051 AS BELOW:

MODEL:5KS256SAA308D2 S/N: XXX

CSA CERTIFIED CSA09.2216219 FOR EX NA IIC 200C GC

CL 1 ZONE2 AEX NA IIC 200C;CL 1 DIV2 GRP ABCD 200C

IN -40C <= AMB <= 40C, 1.0 SF ON SINE-WAVE PWR

SURF TEMP 200C AT 1.15SF ON SINE-WAVE PWR

OR 200C VT OR 200C CT OR 200C CHP PWM CONTROL

ALTERNATE RATING FOR PWM CONTROL 1.0SF 40C AMB

VT 0-60 HZ, CT 3-60 HZ, CHP 60-90 HZ.



Additional Information:

6P - T EXTN
STANDARD FLOOR MOUNT
C/BOX 137 CU IN-1.25 NPT
F1 CONDUIT BOX MOUNTING
PAINTED FRAME ID & SHAFT,
FAN COVER INSIDE & ODE E/S OUTSIDE
ROUTINE AND 5 POINT VIBRATION TESTS INCL IN C/BOX
GROUND SCREW ON FRAME
SHAFT RUNOUT LIMIT .001" TIR
OIL RESISTANT SLEEVING ON LEADS



Performance Characteristics

1st Winding 1st Connection

Design: 25BD3100A

Marks:

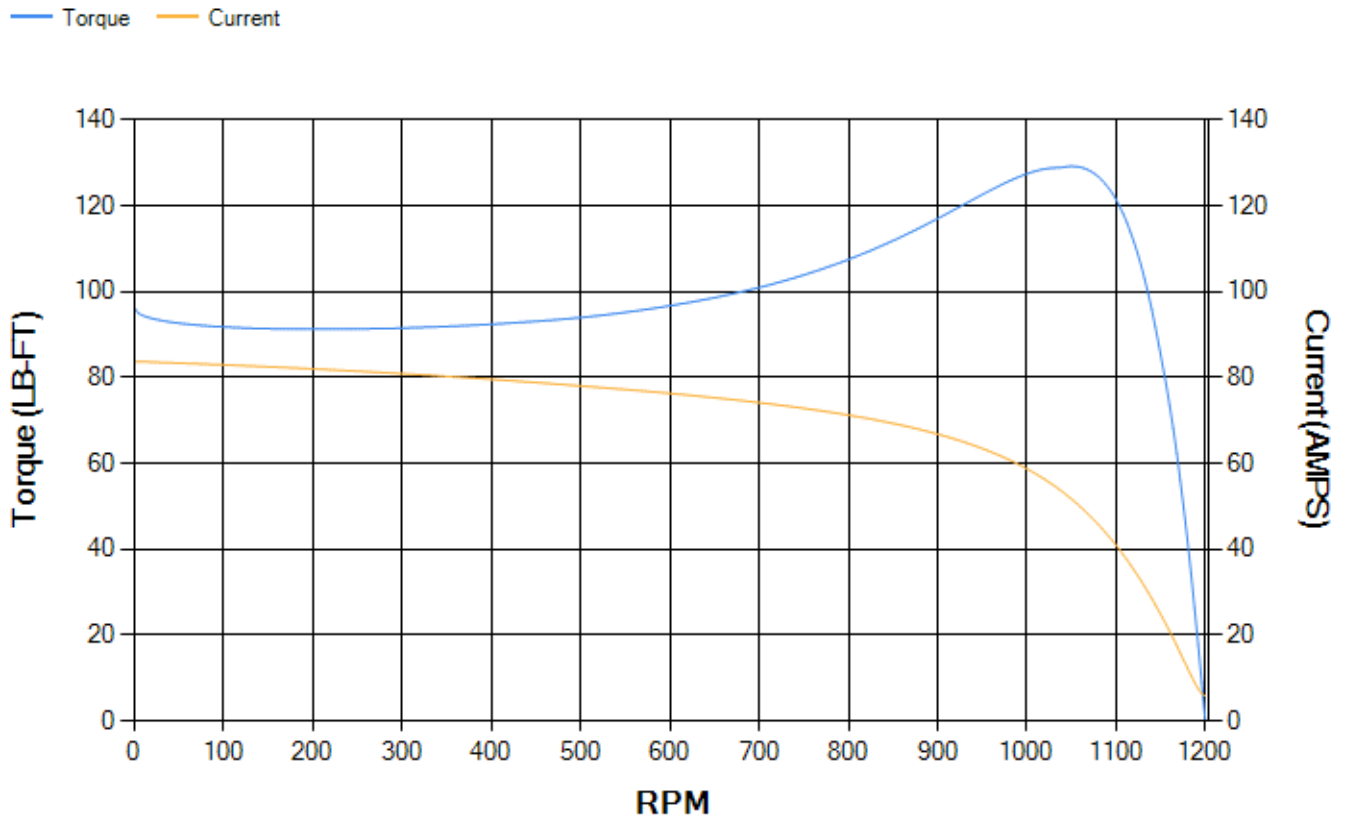
LOAD %	125.0	115.0	100.0	75.0	50.0	25.0	0.0
% EFF	90.18	90.66	91.45	91.79	91.32	87.41	0.00
% PF	81.81	80.99	79.13	73.48	62.17	40.31	4.8
AMPS	15.86	14.66	12.94	10.41	8.24	6.64	5.89

TORQ(FL)#FT	44.74	TORQ(LR)%FL	215.09	TORQ(BD)%FL	286.64
AMPS(LR)	83.8	PF AT START	0.41		

This motor is capable of two cold or one hot start with a maximum connected load inertia of 976 Lb-Ft Sq (41.09 Kg-meter Sq)at 100% voltage, where the load torque varies with the square of the speed. Acceleration time with maximum inertia and the above load type is 43 seconds. Safe stall time at 100% voltage is 96 seconds cold, 66 seconds hot. Rotor inertia is 1.99 Lb-Ft Sq (0.08 Kg-meter Sq).

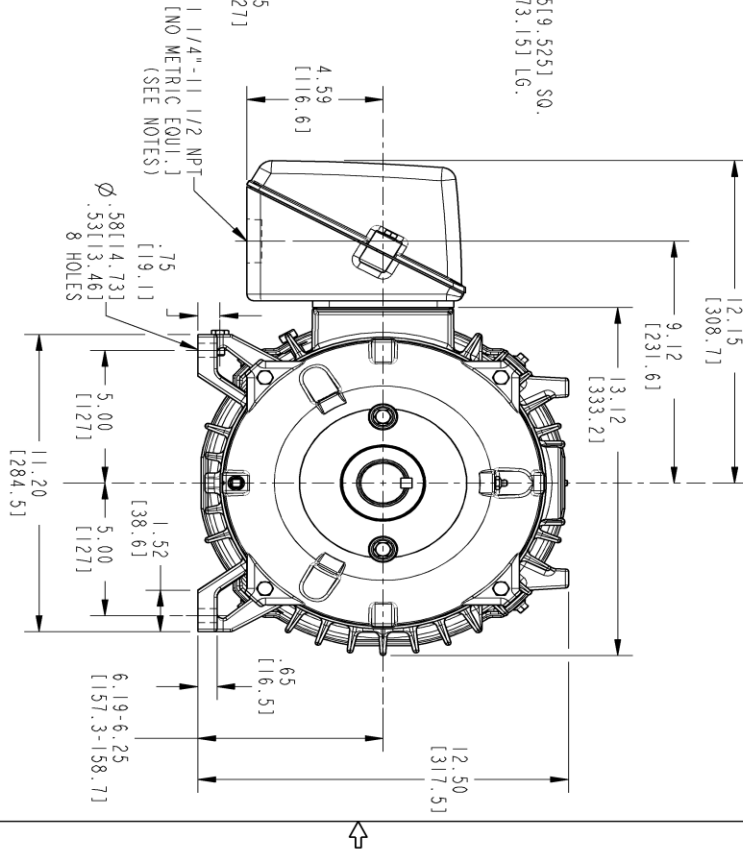
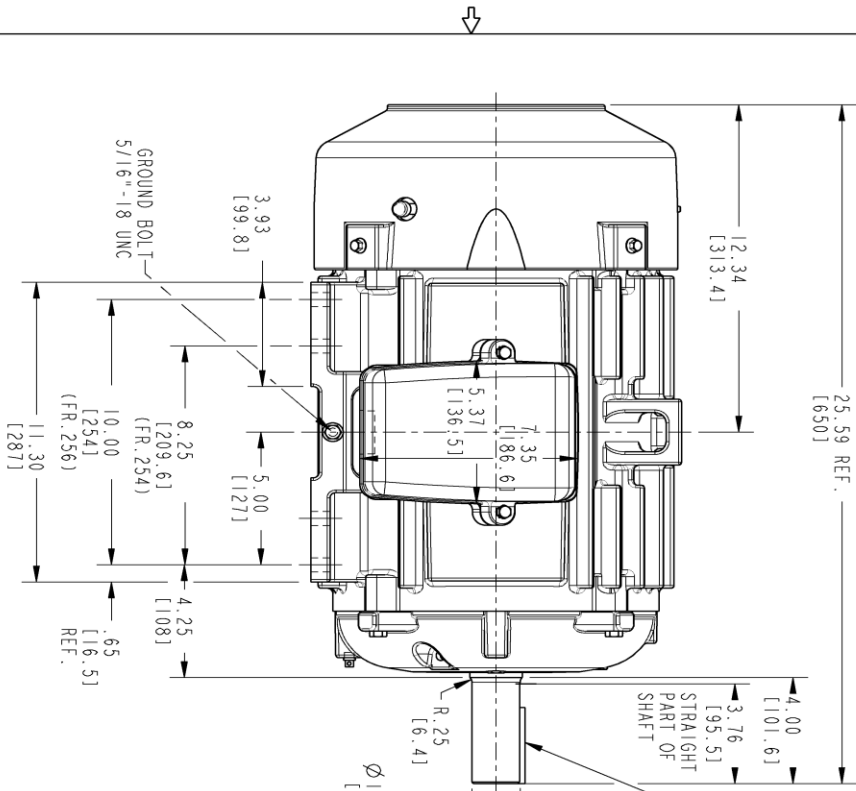
Open Circuit A-C:	0.249	Short Circuit D-C:	0.011
Short Circuit A-C:	0.015	X/R Ratio:	4.232
Stator Slots:	54	Rotor Slots:	42

Speed Torque Current Curve (First Connection, First Speed)



Marks:

NOTE 1: CONDUIT BOX MAY BE ASSEMBLED WITH ENTRANCE UP, DOWN OR TO EITHER SIDE.
 NOTE 2: F1 ASSEMBLY AS SHOWN.
 NOTE 3: ALL DIMENSIONS ARE IN INCHES, BRACKETED DIMENSIONS ARE IN METRIC (MILLIMETERS)



PROPRIETARY INFORMATION

© COPYRIGHT 2018 Wolog Electric America LLC AND/OR ITS AFFILIATES. All rights reserved. This document and the information it contains is the property of Wolog Electric America LLC and/or its affiliates. It has been provided solely for the use of the customer and is not to be distributed, copied, or otherwise used without the express written consent of Wolog Electric America LLC. Wolog Electric America LLC is not responsible for any errors or omissions in this document. Wolog Electric America LLC is not responsible for any damages or losses resulting from the use of this document. Wolog Electric America LLC is not responsible for any claims or liabilities arising from the use of this document. Wolog Electric America LLC is not responsible for any claims or liabilities arising from the use of this document.

SIZE DRAWING NO. B
 4002B5825PAP5992 001

REV. SHEET

REVISIONS

REV.	DESCRIPTION	DATE	APPROVED
001	SAGAR K	03/24/21	VJ JAY

THIRD ANGLE PROJECTION



SIGNATURES	DATE
PIVUSH	03/15/21
DETAIL	PIVUSH 03/15/21
CHECKED	PIVUSH 03/15/21
ENGR	
WEG	
QUALITY	
ISSUED	PIVUSH 03/15/21
SOLID MODEL:	4002B5825PAP5992



INDUCTION MOTOR OUTLINE
 STANDARD CONSTRUCTION, GROUND PAD
 FMR, FR250T TFC

SCALE:	REF. NO.:	SHEET	REV.
0.250	4002B5825PAP5992	001	001

Marks:

Connection Diagram
GEM2034E-FIG1



End shield Assembly		
Part Description	DE Side Part#	ODE Side Part#
End Shield	4004D5283PB1	4004D5283SE1
Bearing	235A2507EB01	235A2507EB01
Slinger/Inproseal	149C4399G02	149C4399G02

Fan & Fan Cover Assembly	
Part Description	Part#
Fan	159C6800G01
Fan Cover	4003C5788PA1

Conduit & Accessories Box Assembly	
Part Description	Part#
Conduit Box	4002B5728PA-G04

Mechanical Accessories	
Part Description	Part#
Brake	
Tachometer	

