



**GE INDUSTRIAL MOTORS**  
a **WOLONG** company

# Product Technical Information

April 23, 2021

Data shown is for the current revision model #. Ensure your nameplate model # matches.

<b>Model Number:</b>	<b>5KS284SAA308D4</b>
<b>Catalog Number:</b>	<b>M9115</b>
<b>Instruction Manual:</b>	GEI-56128
<b>Connection Diagram:</b>	GEM2034E-FIG1
<b>Outline Drawing:</b>	4002B5828PAP5943

## Accessory Connection Diagrams

<b>Bearing Thermocouple:</b>	None	<b>Heater:</b>	None
<b>RTD:</b>	None	<b>Thermistor:</b>	None
<b>Thermostat:</b>	None	<b>Winding Thermocouple:</b>	None
<b>Bearing RTD:</b>	None		

## Table of Contents

Specification	01
Performance Characteristics	02
Outline Drawing	03
Connection Drawing(s)	04
Spare parts	05

**Marks:**

<b>MODEL NUMBER:</b>	<b>5KS284SAA308D4</b>	<b>Estimated Weight:</b>	460 Lbs
<b>Outline Drawing:</b>	4002B5828PAP5943	<b>Time Rating:</b>	CONT
<b>Connection Diagram:</b>	GEM2034E-FIG1	<b>Enclosure:</b>	TEFC
<b>Instruction Book:</b>	GEI-56128	<b>Encl Construction:</b>	841
<b>Design Code:</b>	28BD3093A	<b>Ambient Max(°C):</b>	40
<b>Type:</b>	KS	<b>Alt Ambient Max(°C):</b>	--
<b>Frame:</b>	284T	<b>Insulation Class:</b>	H
<b>Phases:</b>	3	<b>NEMA Design:</b>	B
<b>Poles:</b>	6	<b>Nominal Efficiency:</b>	91.7 %
<b>Output Power:</b>	15HP 11.1KW	<b>Guaranteed Efficiency:</b>	91.0 %
<b>RPM:</b>	1180	<b>3/4 Load Efficiency:</b>	--
<b>Voltage:</b>	460	<b>KVA Code:</b>	G
<b>Hertz:</b>	60	<b>Max KVAR:</b>	6.7
<b>Amps - FL:</b>	19.8	<b>Power Factor:</b>	77.5
<b>Service Factor:</b>	1.15	<b>Bearing - DE:</b>	6310ZC3
<b>Alt Service Factor:</b>	--	<b>Bearing - ODE:</b>	6310ZC3

**Enclosure is Totally Enclosed Fan-Cooled**

---

**Stamped Nameplate Notes:**

IEEE-STD-841-2009

DE BRG 50BC03JP30 ODE BRG 50BC03JP30

STAMP NP249A5564P051 AS BELOW:

MODEL:5KS284SAA308D4 S/N: XXX

CSA CERTIFIED CSA09.2216219 FOR EX NA IIC 200C GC

CL 1 ZONE2 AEX NA IIC 200C;CL 1 DIV2 GRP ABCD 200C

IN -40C <= AMB <= 40C, 1.0 SF ON SINE-WAVE PWR

SURF TEMP 200C AT 1.15SF ON SINE-WAVE PWR

OR 200C VT OR 200C CT OR 200C CHP PWM CONTROL

ALTERNATE RATING FOR PWM CONTROL 1.0SF 40C AMB

VT 0-60 HZ, CT 3-60 HZ, CHP 60-90 HZ.



**Additional Information:**

6P - T EXTN  
STANDARD FLOOR MOUNT  
C/BOX 137 CU IN-1.50 NPT  
F1 CONDUIT BOX MOUNTING  
PAINTED FRAME ID & SHAFT,  
FAN COVER INSIDE & ODE E/S OUTSIDE  
ROUTINE AND 5 POINT VIBRATION TESTS INCL IN C/BOX  
GROUND SCREW ON FRAME  
SHAFT RUNOUT LIMIT .0015" TIR  
OIL RESISTANT SLEEVING ON LEADS



**Performance Characteristics**

1st Winding 1st Connection

**Design: 28BD3093A**

**Marks:**

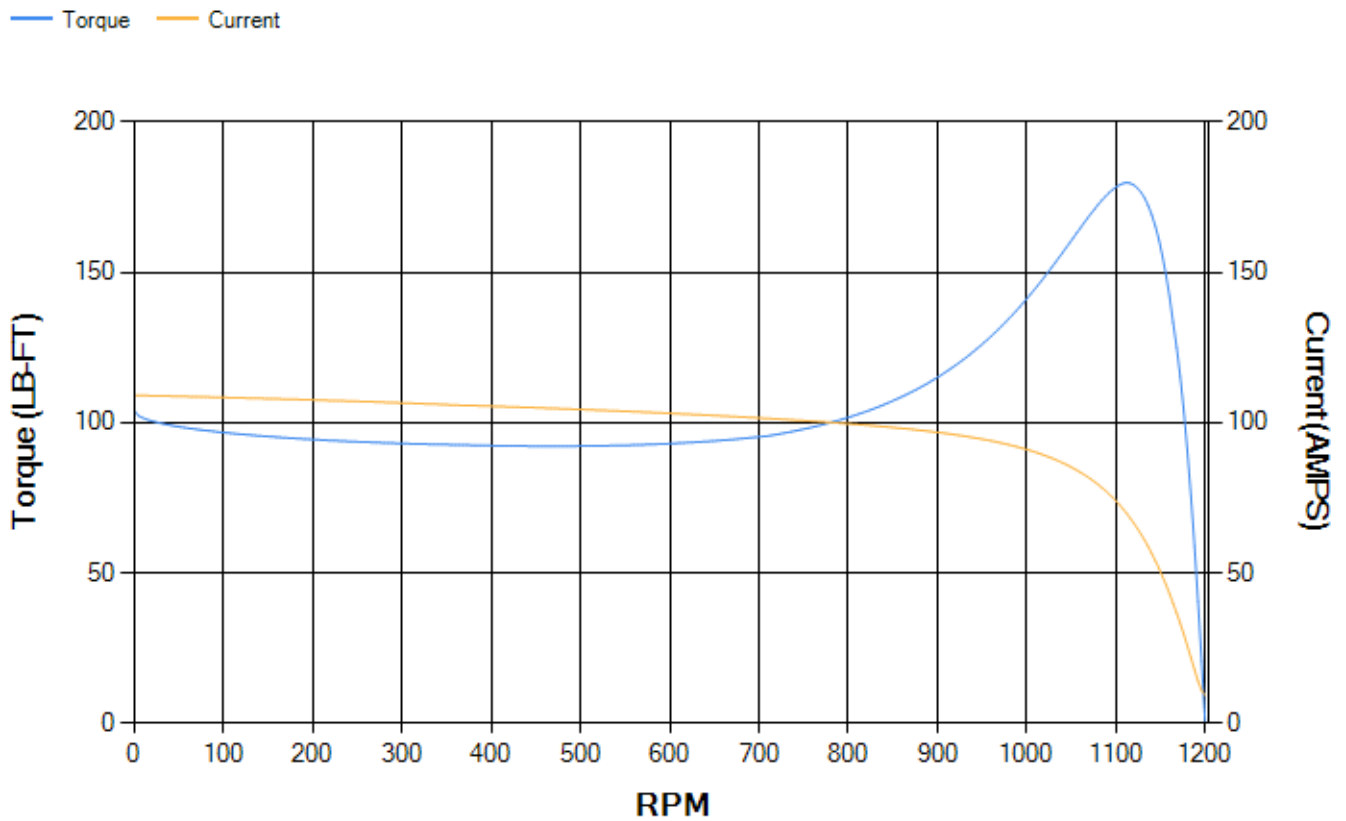
LOAD %	125.0	115.0	100.0	75.0	50.0	25.0	0.0
% EFF	90.9	91.33	92.05	92.28	91.72	87.79	0.00
% PF	80.21	79.43	77.58	71.86	60.42	38.72	4.47
AMPS	24.07	22.26	19.68	15.88	12.67	10.32	9.28

<b>TORQ(FL)#FT</b>	66.6	<b>TORQ(LR)%FL</b>	155.97	<b>TORQ(BD)%FL</b>	269.32
<b>AMPS(LR)</b>	109.12	<b>PF AT START</b>	0.36		

This motor is capable of two cold or one hot start with a maximum connected load inertia of 1000 Lb-Ft Sq (42.1 Kg-meter Sq)at 100% voltage, where the load torque varies with the square of the speed. Acceleration time with maximum inertia and the above load type is 45 seconds. Safe stall time at 100% voltage is 100 seconds cold, 67 seconds hot. Rotor inertia is 5.13 Lb-Ft Sq (0.22 Kg-meter Sq).

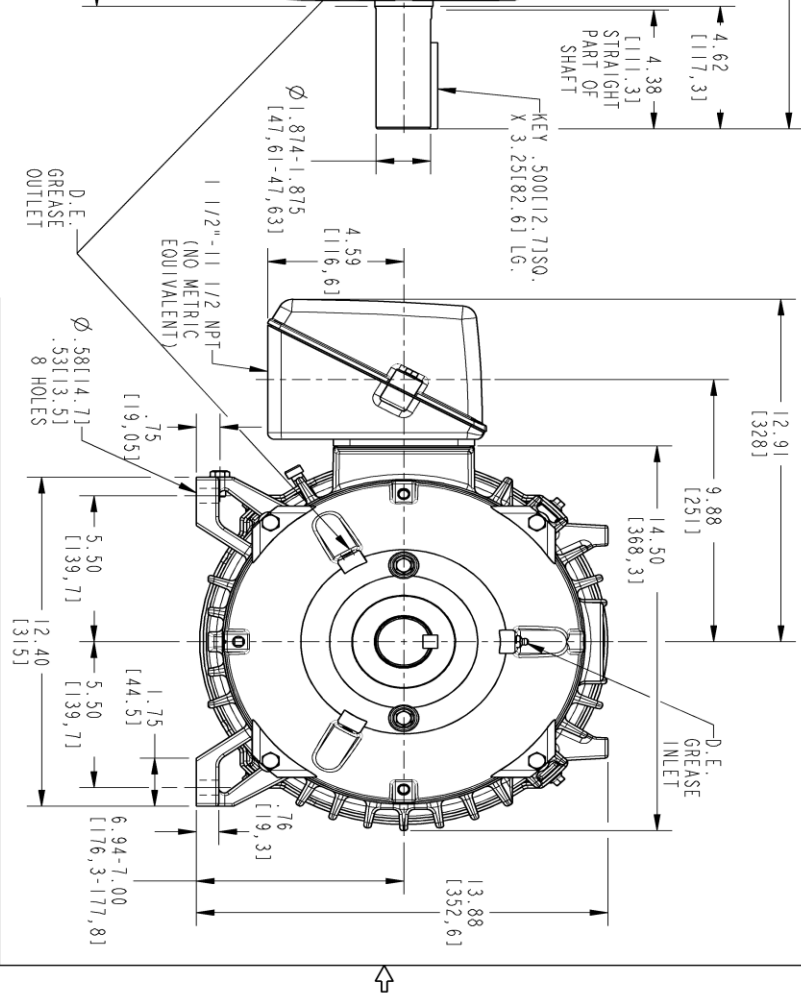
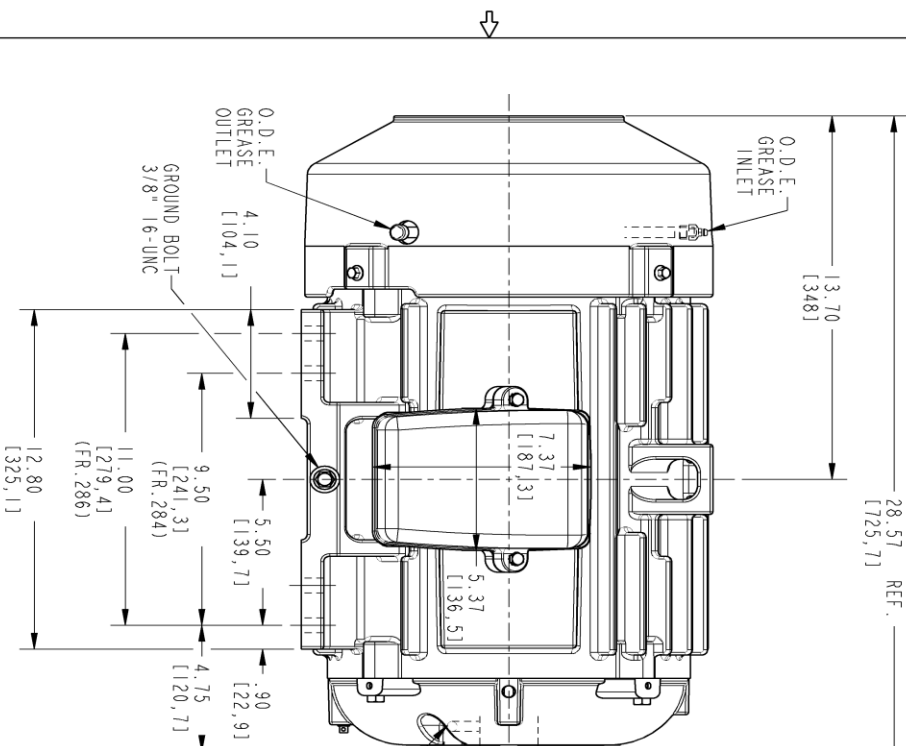
<b>Open Circuit A-C:</b>	0.361	<b>Short Circuit D-C:</b>	0.013
<b>Short Circuit A-C:</b>	0.027	<b>X/R Ratio:</b>	4.971
<b>Stator Slots:</b>	54	<b>Rotor Slots:</b>	42

**Speed Torque Current Curve (First Connection, First Speed)**



Marks:

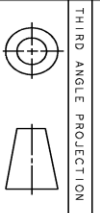
NOTE 1: CONDUIT BOX MAY BE ASSEMBLED WITH ENTRANCE UP, DOWN OR TO EITHER SIDE.  
 NOTE 2: FIT ASSEMBLY AS SHOWN.  
 NOTE 3: ALL DIMENSIONS ARE IN INCHES, BRACKETED DIMENSIONS ARE IN METRIC (MILLIMETERS).



PROPRIETARY INFORMATION  
 © COPYRIGHT 2018 Wolog Electric America LLC AND/OR ITS AFFILIATES.  
 All rights reserved. This document and the information it contains is the property of the Wolog Electric America LLC and/or its affiliates. It has been provided solely for transmission and use of the equipment and any of the components of the equipment. It is strictly prohibited to copy, reproduce, or disseminate this information in any form without the express written permission of the Wolog Electric America LLC.

REV.	DESCRIPTION	DATE	APPROVED

SIZE	DRAWING NO.	REV	SHEET
B	4002B5828PAP5943	000	1



SIGNATURES		DATE	<p><b>GE INDUSTRIAL MOTORS</b>                  a Wolog company</p> <p><b>INDUCTION MOTOR LINE</b>                  284/286 T, TEFC XSD                  C/BOX 137 CUIN GROUND PAD</p>
MODEL	RAGHU	02/18/21	
DETAIL	RAGHU	02/18/21	
CHECKED	RAGHU	02/18/21	
ENGR	RAGHU	02/18/21	
QUALITY	RAGHU	02/18/21	SIZE/DRAWING
ISSUED	B		SCALE: 0.250
SOLID MODEL: 4002B5828PAP5943			REF. No.: 4002B5828PAP5311
<p><b>4002B5828PAP5943</b></p>			REV
<p>000</p>			SHEET 1 of 1

**Marks:**

**Connection Diagram**  
**GEM2034E-FIG1**



End shield Assembly		
Part Description	DE Side Part#	ODE Side Part#
End Shield	4004D5284PB1	4004D5284SE1
Bearing	235A2508EC01	235A2508EC01
Slinger/Inproseal	149C4399G03	149C4399G03

Fan & Fan Cover Assembly	
Part Description	Part#
Fan	159C6900G01
Fan Cover	4003C5789PA1

Conduit & Accessories Box Assembly	
Part Description	Part#
Conduit Box	4002B5728PA-G01

Mechanical Accessories	
Part Description	Part#
Brake	
Tachometer	

