



GE INDUSTRIAL MOTORS
a **WOLONG** company

Product Technical Information

January 23, 2021

Data shown is for the current revision model #. Ensure your nameplate model # matches.

Model Number:	5KS404SAA308D9
Catalog Number:	M9128
Instruction Manual:	GEI-56128
Connection Diagram:	GEM2034E-FIG7
Outline Drawing:	239C6400ZJ

Accessory Connection Diagrams

Bearing Thermocouple:	None	Heater:	None
RTD:	None	Thermistor:	None
Thermostat:	None	Winding Thermocouple:	None
Bearing RTD:	None		

Table of Contents

Specification	01
Performance Characteristics	02
Outline Drawing	03
Connection Drawing(s)	04
Spare parts	05

Marks:

MODEL NUMBER:	5KS404SAA308D9	Estimated Weight:	1410 Lbs
Outline Drawing:	239C6400ZJ	Time Rating:	CONT
Connection Diagram:	GEM2034E-FIG7	Enclosure:	TEFC
Instruction Book:	GEI-56128	Encl Construction:	841
Design Code:	40BD3068A	Ambient Max(°C):	40
Type:	KS	Alt Ambient Max(°C):	--
Frame:	404T	Insulation Class:	H
Phases:	3	NEMA Design:	B
Poles:	6	Nominal Efficiency:	94.5 %
Output Power:	60HP 44.4KW	Guaranteed Efficiency:	94.1 %
RPM:	1190	3/4 Load Efficiency:	--
Voltage:	460	KVA Code:	G
Hertz:	60	Max KVAR:	22.9
Amps - FL:	73.8	Power Factor:	80.5
Service Factor:	1.15	Bearing - DE:	6316ZC3
Alt Service Factor:	--	Bearing - ODE:	6316ZC3

Enclosure is Totally Enclosed Fan-Cooled

Stamped Nameplate Notes:

IEEE-STD-841-2009

DE BRG 80BC03JP3, ODE BRG 80BC03JP3

STAMP NP249A5564P051 AS BELOW:

MODEL:5KS404SAA308D9 S/N: XXX

CSA CERTIFIED CSA09.2216219 FOR EX NA IIC 200 C GC

CL 1 ZONE2 AEX NA IIC 200C;CL 1 DIV2 GRP ABCD 200C

IN -40C <= AMB <= 40C, 1.0 SF ON SINE-WAVE PWR

SURF TEMP 200C AT 1.15SF ON SINE-WAVE PWR

OR 200C VT OR 215C CT OR 200C CHP PWM CONTROL

ALTERNATE RATING FOR PWM CONTROL 1.0SF 40C AMB

VT 0 - 60 HZ, CT 3 - 60 HZ, CHP 60 - 90 HZ.



Additional Information:

6P - T EXTN
PAINTED FRAME ID & SHAFT,
FAN COVER INSIDE & ODE E/S OUTSIDE
C/BOX 700 CU IN - 3.00" NPT
OIL RESISTANT SLEEVING ON LEADS
.0015" TIR SHAFT RUNOUT
ROUTINE TEST REPORT AND 5 POINT VIBRATION TEST
REPORT INCLUDED IN C/B
GROUND PAD
F1 MOUNTING



Performance Characteristics

1st Winding 1st Connection

Design: 40BD3068A

Marks:

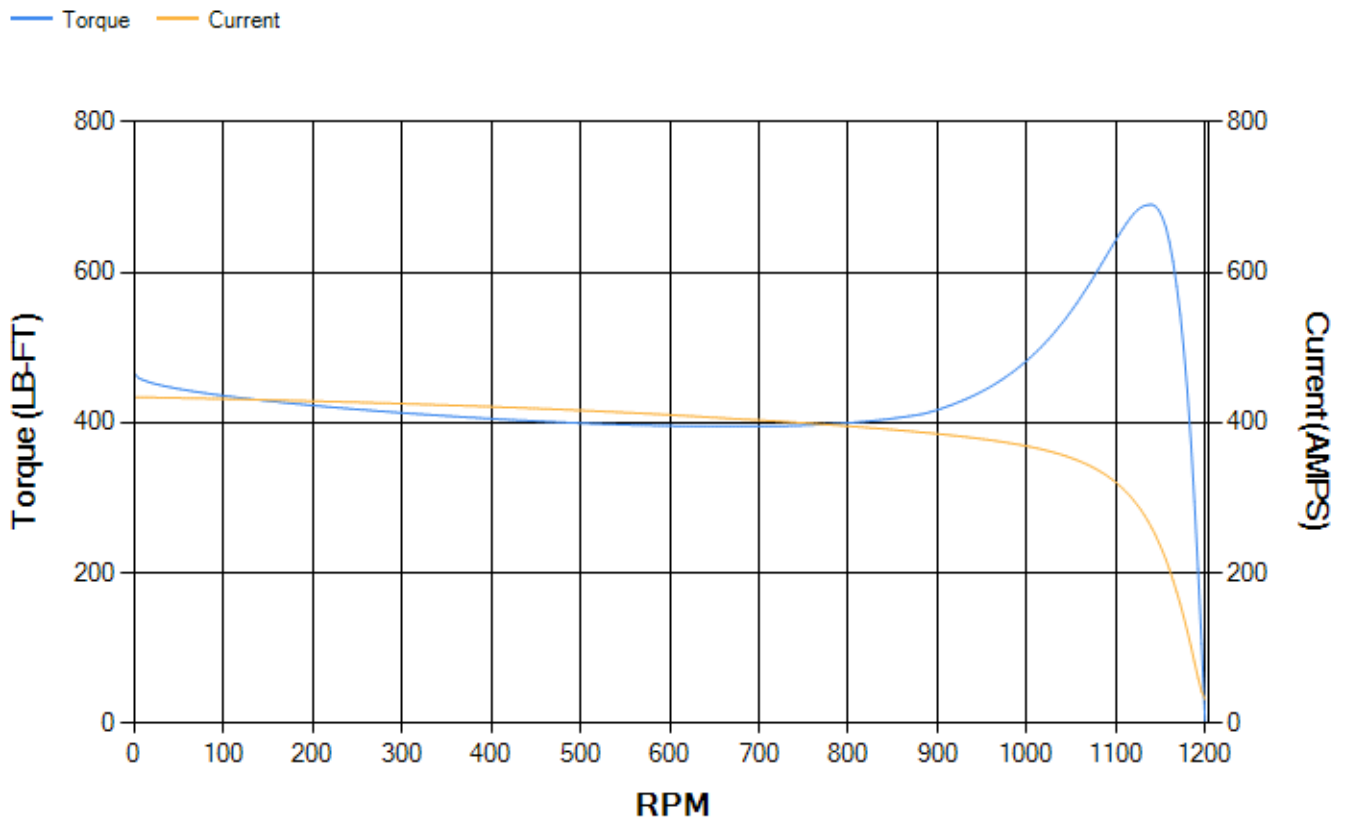
LOAD %	125.0	115.0	100.0	75.0	50.0	25.0	0.0
% EFF	93.83	94.07	94.56	94.54	94.02	90.94	0.00
% PF	82.95	82.27	80.66	75.56	64.76	42.35	3.6
AMPS	90.19	83.45	73.48	58.96	46.12	36.45	31.91

TORQ(FL)#FT 264.9 **TORQ(LR)%FL** 175.68 **TORQ(BD)%FL** 259.76
AMPS(LR) 434 **PF AT START** 0.35

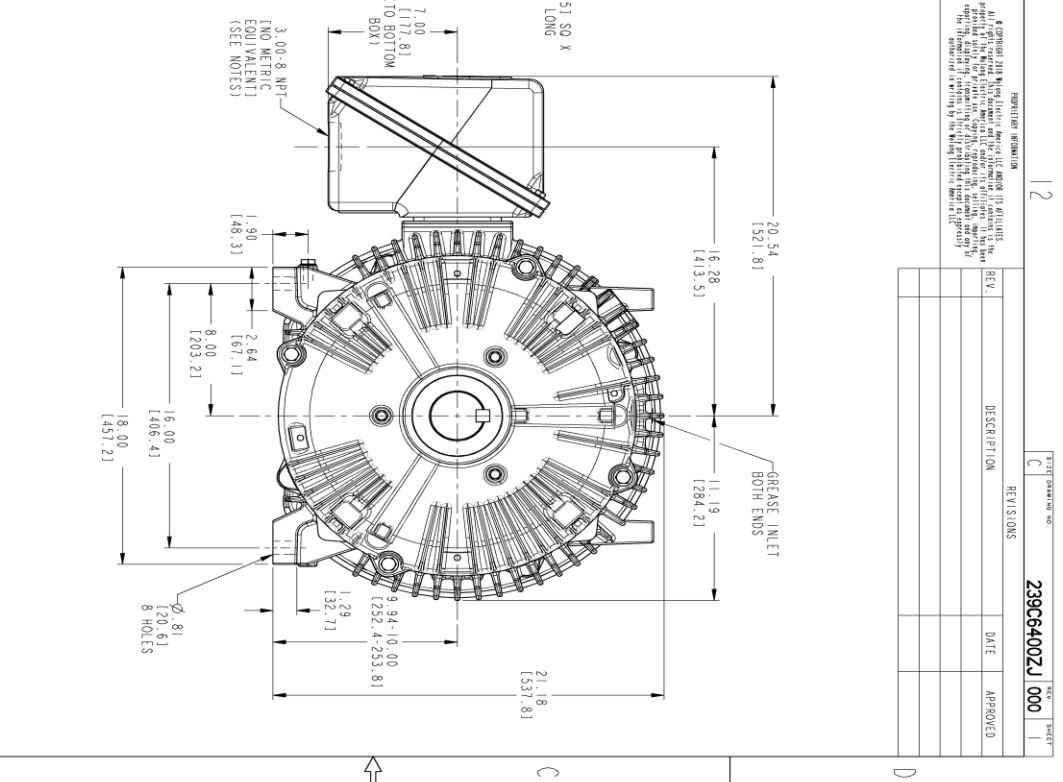
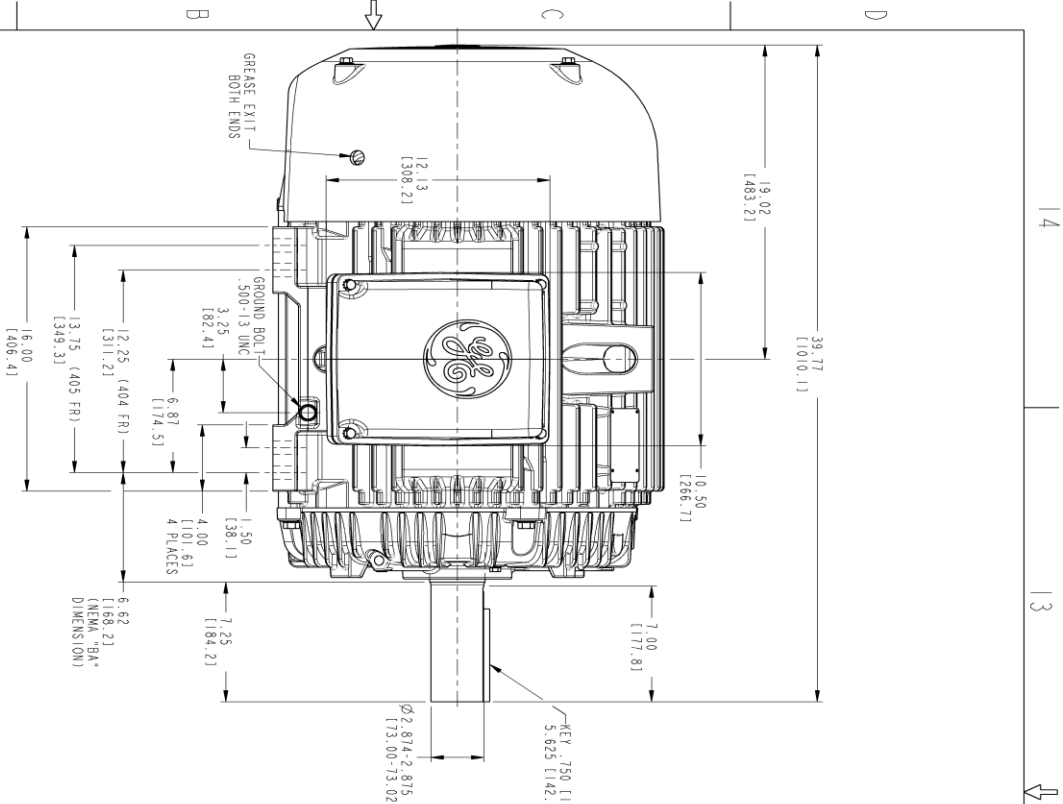
This motor is capable of two cold or one hot start with a maximum connected load inertia of 5291 Lb-Ft Sq (222.75 Kg-meter Sq)at 100% voltage, where the load torque varies with the square of the speed. Acceleration time with maximum inertia and the above load type is 59 seconds. Safe stall time at 100% voltage is 122 seconds cold, 76 seconds hot. Rotor inertia is 28.28 Lb-Ft Sq (1.19 Kg-meter Sq).

Open Circuit A-C: 0.634 **Short Circuit D-C:** 0.021
Short Circuit A-C: 0.04 **X/R Ratio:** 7.881
Stator Slots: 72 **Rotor Slots:** 58

Speed Torque Current Curve (First Connection, First Speed)



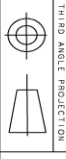
Marks:



PROHIBITION INFORMATION
 © Copyright 2018 GE Industrial Motors. All rights reserved. No part of this publication may be reproduced, stored in a retrieval system, or transmitted, in any form or by any means, without the prior written permission of GE Industrial Motors. The information contained herein is the property of GE Industrial Motors and is confidential. It is to be used only for the purposes intended by GE Industrial Motors.

REV.	DESCRIPTION	DATE	APPROVED

- NOTES:
1. CONDUIT BOX MAY BE PLACED WITH THE ENTRANCE DOWN, UP OR ON EITHER SIDE.
 2. F-1 ASSEMBLY AS SHOWN.
 3. ALL DIMENSIONS ARE IN INCHES. BRACKETED DIMENSIONS ARE METRIC (MILLIMETERS).



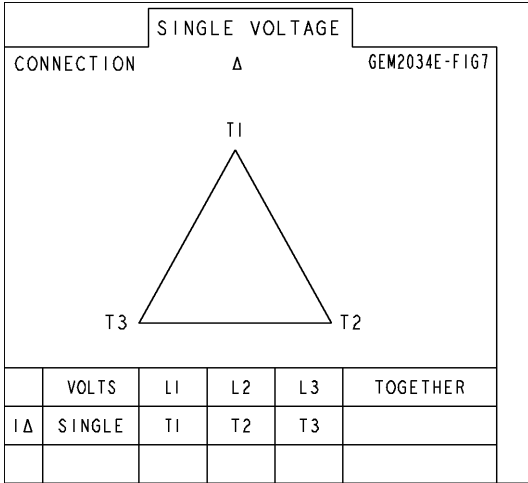
THIRD ANGLE PROJECTION

SIGNATURES	DATE
MODEL PRASMANA 04/01/21	
REVIEW PRASMANA 04/01/21	
CHECKED BISHU 04/01/21	
DRAWN PRASMANA 04/01/21	
ISSUED PRASMANA 04/01/21	

GE INDUSTRIAL MOTORS
 a WOLSKONG company
OUTLINE
 404/405 T TEFC XSD
 700 CU IN CONDUIT BOX, GROUND PAD
 239C6400ZJ
 SCALE: 0.250 REF. No: 239C6400ZJ SHEET 1 OF 1

Marks:

Connection Diagram
GEM2034E-FIG7



End shield Assembly		
Part Description	DE Side Part#	ODE Side Part#
End Shield	115E4304AA1	115E4304LL1
Bearing	235A2518AC01	235A2518AC01
Slinger/Inproseal	149C4399G06	149C4399G06

Fan & Fan Cover Assembly	
Part Description	Part#
Fan	159C7100G02
Fan Cover	128D6832AA1

Conduit & Accessories Box Assembly	
Part Description	Part#
Conduit Box	118D4408AD2

Mechanical Accessories	
Part Description	Part#
Brake	
Tachometer	

