



**GE INDUSTRIAL MOTORS**  
a **WOLONG** company

# Product Technical Information

June 23, 2020

Data shown is for the current revision model #. Ensure your nameplate model # matches.

<b>Model Number:</b>	<b>5KS143XAA295D</b>
<b>Catalog Number:</b>	<b>M9140</b>
<b>Instruction Manual:</b>	GEI-56128
<b>Connection Diagram:</b>	GEM2034E-FIG1
<b>Outline Drawing:</b>	4002B5814PBP5401

## Accessory Connection Diagrams

<b>Bearing Thermocouple:</b>	None	<b>Heater:</b>	None
<b>RTD:</b>	None	<b>Thermistor:</b>	None
<b>Thermostat:</b>	None	<b>Winding Thermocouple:</b>	None
<b>Bearing RTD:</b>	None		

## Table of Contents

Specification	01
Performance Characteristics	02
Outline Drawing	03
Connection Drawing(s)	04
Spare parts	05

Marks:

<b>MODEL NUMBER:</b>	<b>5KS143XAA295D</b>	<b>Estimated Weight:</b>	43 Lbs
<b>Outline Drawing:</b>	4002B5814PBP5401	<b>Time Rating:</b>	CONT
<b>Connection Diagram:</b>	GEM2034E-FIG1	<b>Enclosure:</b>	TEFC
<b>Instruction Book:</b>	GEI-56128	<b>Encl Construction:</b>	841
<b>Design Code:</b>	14BD1092A	<b>Ambient Max(°C):</b>	40
<b>Type:</b>	KS	<b>Alt Ambient Max(°C):</b>	--
<b>Frame:</b>	143TCZ	<b>Insulation Class:</b>	H
<b>Phases:</b>	3	<b>NEMA Design:</b>	B/-
<b>Poles:</b>	4	<b>Nominal Efficiency:</b>	85.5 %
<b>Output Power:</b>	1HP 0.7KW	<b>Guaranteed Efficiency:</b>	84.0 %
<b>RPM:</b>	1755/1765	<b>3/4 Load Efficiency:</b>	85.0 %
<b>Voltage:</b>	460	<b>KVA Code:</b>	N/P
<b>Hertz:</b>	60	<b>Max KVAR:</b>	0.7
<b>Amps - FL:</b>	1.6/1.3	<b>Power Factor:</b>	70.5
<b>Service Factor:</b>	1.15	<b>Bearing - DE:</b>	6206ZC3
<b>Alt Service Factor:</b>	--	<b>Bearing - ODE:</b>	6205ZC3

Enclosure is Totally Enclosed Fan-Cooled

Stamped Nameplate Notes:

IEEE-STD-841-2009  
 DE BRG 30BC02JP30 ODE BRG 25BC02JP30  
 STAMP NP249A5564P051 AS BELOW:  
 MODEL:5KS143XAA295D S/N: XXX  
 CSA CERTIFIED CSA09.2216219 FOR EX NA IIC 165 C GC  
 CL1 ZONE2 AEXNAIIC 200C FOR CL1DIV2 GRP ABCD 200C  
 IN -25C <= AMB <= 40C, 1.0SF ON SINE-WAVE PWR  
 SURF TEMP 200 C AT 1.15 SF ON SINE-WAVE PWR  
 OR 200 C VT OR 200 C CT OR 200 C CHP PWM CONTROL  
 ALTERNATE RATING FOR PWM CONTROL 1.0SF 40C AMB  
 VT 0-60 HZ, CT 3-60 HZ, CHP 60-90 HZ.

Additional Information:

4P - TZ EXTN  
 STANDARD FLOOR MOUNT WITH DRIP COVER  
 SUITABLE FOR SHAFT DOWN VERTICAL MOUNTING  
 C/BOX 30 CU IN-0.75 NPT  
 F1 CONDUIT BOX MOUNTING  
 "C" FACE AT DE ENDSHIELD AK=4 1/2"  
 PAINTED FRAME ID & SHAFT,  
 FAN COVER INSIDE & ODE E/S OUTSIDE  
 ROUTINE AND 5 POINT VIBRATION TESTS INCL IN C/BOX  
 INPRO SEAL BOTH ENDS  
 GROUND SCREW ON FRAME  
 SHAFT RUNOUT LIMIT .001" TIR  
 COPPER WASHER UNDER HEADS OF BEARING CAP BOLTS  
 STAINLESS STEEL T DRAIN



APPLY TITE-SEAL (A50CD427A) ON BEARING CAP SCREWS, RABBETS,  
AND PLUG THREADS  
OIL RESISTANT SLEEVING ON LEADS  
SHAFT EXTENSION AND C-FACE ENDSHIELD-  
-MOUNTING SAME AS 56C FRAME  
U=0.625" DIA, AH=2.06"



**Performance Characteristics**

1st Winding 1st Connection

**Design: 14BD1092A**

**Marks:**

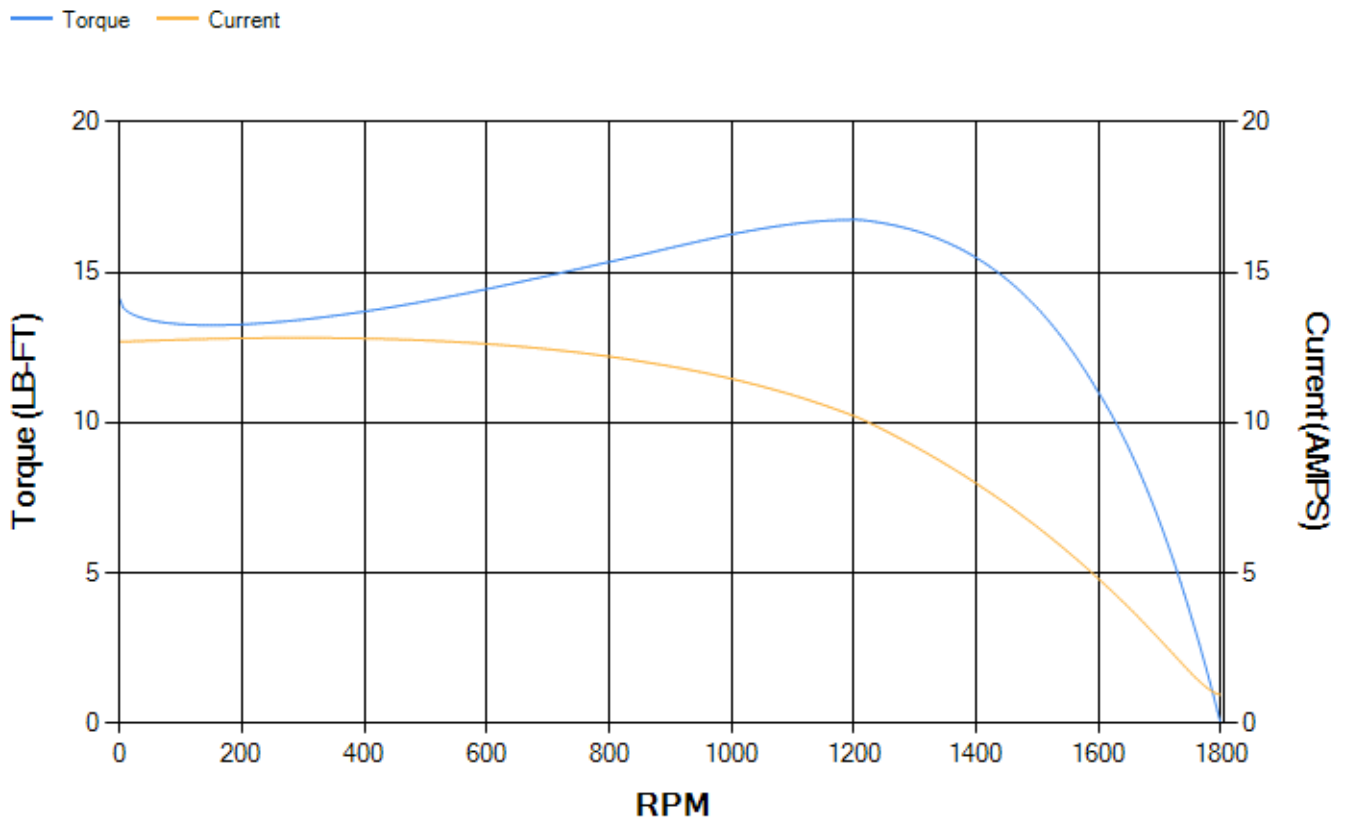
LOAD %	125.0	115.0	100.0	75.0	50.0	25.0	0.0
% EFF	85.48	85.65	85.9	84.94	82.06	72.51	0.00
% PF	76.81	74.65	72.4	61.65	48.5	30.38	8.26
AMPS	1.78	1.68	1.5	1.34	1.18	1.06	0.94

TORQ(FL)#FT 3                      TORQ(LR)%FL 471.82                      TORQ(BD)%FL 541.11  
 AMPS(LR) 12.69                      PF AT START 0.68

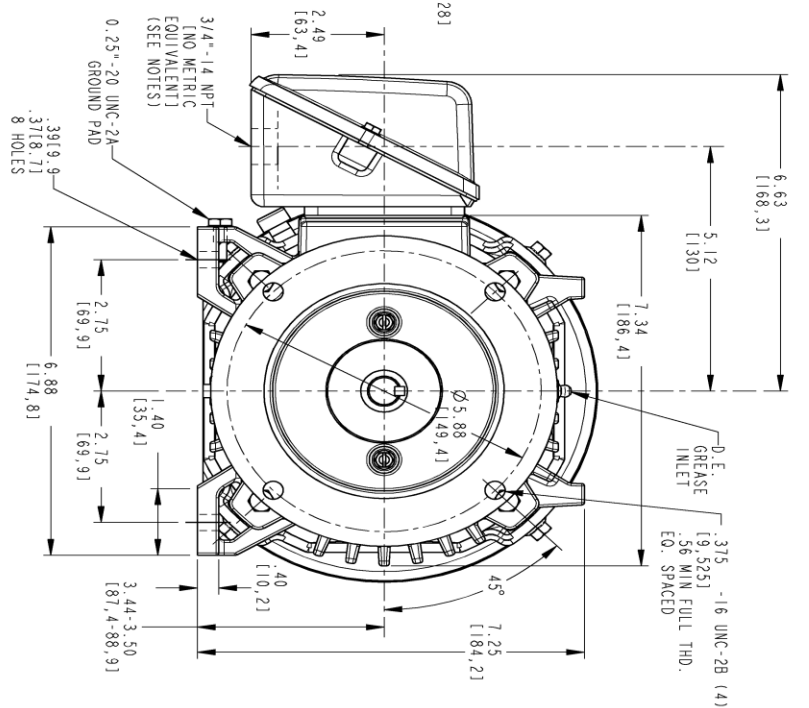
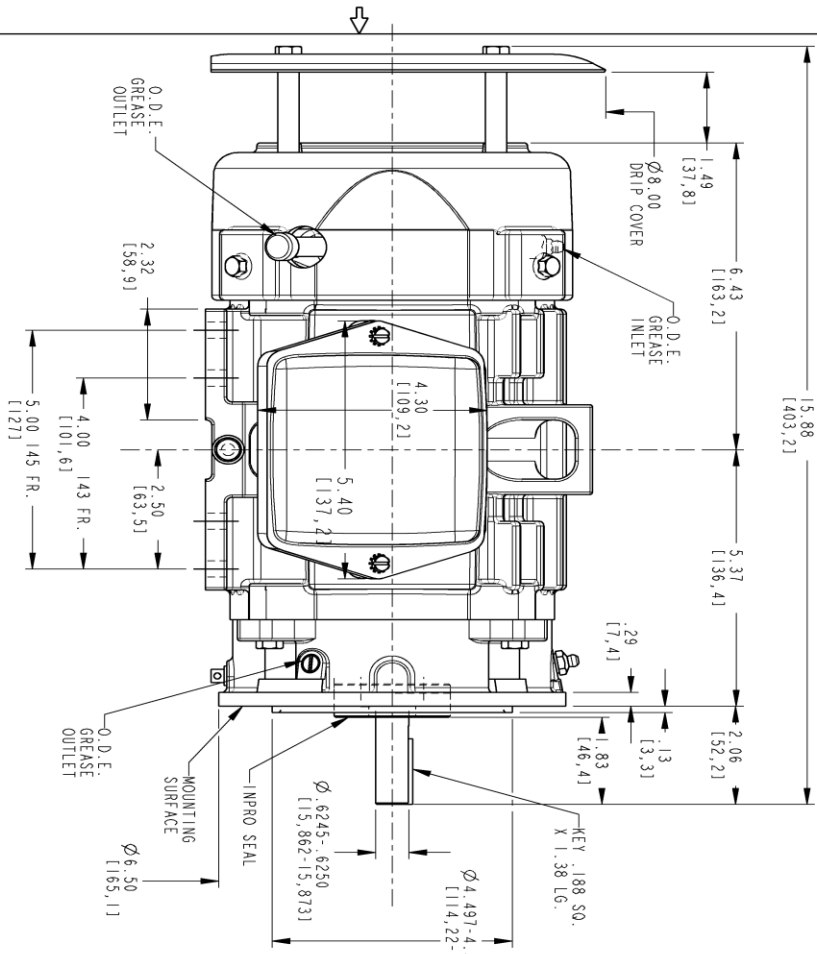
This motor is capable of two cold or one hot start with a maximum connected load inertia of 84 Lb-Ft Sq (3.54 Kg-meter Sq)at 100% voltage, where the load torque varies with the square of the speed. Acceleration time with maximum inertia and the above load type is 37 seconds. Safe stall time at 100% voltage is 82 seconds cold, 66 seconds hot. Rotor inertia is 0.08 Lb-Ft Sq (0 Kg-meter Sq).

Open Circuit A-C: 0.13                      Short Circuit D-C: 0.005  
 Short Circuit A-C: 0.006                      X/R Ratio: 1.758  
 Stator Slots: 36                      Rotor Slots: 48

**Speed Torque Current Curve (First Connection, First Speed)**



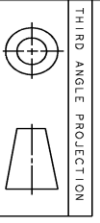
Marks:



NOTE 1: CONDUIT BOX MAY BE ASSEMBLED WITH ENTRANCE UP, DOWN OR EITHER SIDE.  
 NOTE 2: F1 ASSEMBLY AS SHOWN, F2 ASSEMBLY CONDUIT BOX ON OPPOSITE SIDE FROM SHOWN LOCATION  
 NOTE 3: MOUNTING SURFACE WILL BE SQUARE AND CONCENTRIC WITH SHAFT WITHIN .004 T.I.R.  
 NOTE 4: SHAFT WILL NOT EXCEED .001 T.I.R.  
 NOTE 5: BRACKETED DIMENSIONS ARE IN METRIC (MM)

PROPRIETARY INFORMATION  
 © COPYRIGHT 2018 Wolong Electric America LLC AND/OR ITS AFFILIATES  
 All rights reserved. This document and the information it contains is the property of Wolong Electric America LLC and/or its affiliates. It has been provided solely for transmission to the applicable recipient for the sole and exclusive use of the recipient. Its transmission or disclosure to any other person, in any form or by any means, without the express written authorization of Wolong Electric America LLC is strictly prohibited except as expressly authorized in writing by Wolong Electric America LLC.

REV.	DESCRIPTION	DATE	APPROVED
1	ISAC #18-0869	01/30/19	PRASHANTH



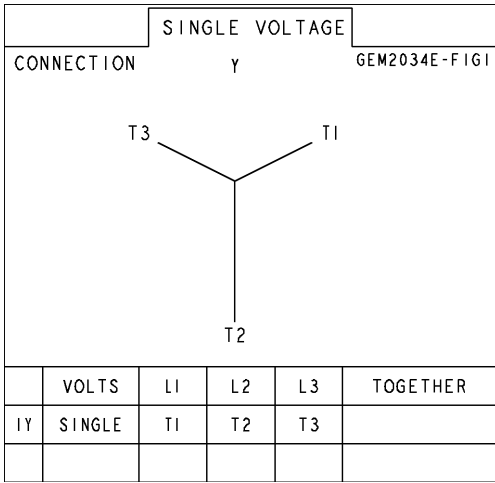
SIGNATURES	DATE
MODEL LAKSHMIKANTH	06/23/15
DETAIL LAKSHMIKANTH	06/23/15
DESIGN KARTHIK	06/23/15
ENG'G TRIPATHI	06/23/15
ISSUED LAKSHMIKANTH	06/23/15

**GE INDUSTRIAL MOTORS**  
 a Wolong company  
**OUTLINE**  
 143/145 FRAME, TFC Y&D ULTRA 841  
 S&C FACE AT DRIVE END SPECIAL Drip COVER GROUND PAD  
 SCALE: 0.450 REF. No.: 4002B5814PDP5384

SOLID MODEL: 4002B5814PDP5401	SCALE: 0.450	REV. No.: 4002B5814PDP5384	SHEET 1 of 1
-------------------------------	--------------	----------------------------	--------------

**Marks:**

**Connection Diagram**  
**GEM2034E-FIG1**



End shield Assembly		
Part Description	DE Side Part#	ODE Side Part#
End Shield	4004D5289PB1	4004D5280SG1
Bearing	235A2502AM01	235A2500AF01
Slinger/Inproseal	4002B5914AM2	4002B5914AG1

Fan & Fan Cover Assembly	
Part Description	Part#
Fan	4001A5914AM-G01
Fan Cover	4003C5785PD1

Conduit & Accessories Box Assembly	
Part Description	Part#
Conduit Box	4002B5718PA-G01

Mechanical Accessories	
Part Description	Part#
Brake	
Tachometer	

