



GE INDUSTRIAL MOTORS
a **WOLONG** company

Product Technical Information

June 3, 2021

Data shown is for the current revision model #. Ensure your nameplate model # matches.

Model Number:	5KS213XAA329D1
Catalog Number:	M9380
Instruction Manual:	GEI-56128
Connection Diagram:	GEM2034E-FIG1
Outline Drawing:	4002B5821PBP5463

Accessory Connection Diagrams

Bearing Thermocouple:	None	Heater:	None
RTD:	None	Thermistor:	None
Thermostat:	None	Winding Thermocouple:	None
Bearing RTD:	None		

Table of Contents

Specification	01
Performance Characteristics	02
Outline Drawing	03
Connection Drawing(s)	04
Spare parts	05

Marks:

MODEL NUMBER:	5KS213XAA329D1	Estimated Weight:	200 Lbs
Outline Drawing:	4002B5821PBP5463	Time Rating:	CONT
Connection Diagram:	GEM2034E-FIG1	Enclosure:	TEFC
Instruction Book:	GEI-56128	Encl Construction:	841
Design Code:	21BD3003A	Ambient Max(°C):	40
Type:	KS	Alt Ambient Max(°C):	--
Frame:	213TC	Insulation Class:	H
Phases:	3	NEMA Design:	B
Poles:	6	Nominal Efficiency:	89.5 %
Output Power:	3HP 2.2KW	Guaranteed Efficiency:	88.5 %
RPM:	1175	3/4 Load Efficiency:	--
Voltage:	460	KVA Code:	K
Hertz:	60	Max KVAR:	1.6
Amps - FL:	4.3	Power Factor:	73.0
Service Factor:	1.15	Bearing - DE:	6309ZC3
Alt Service Factor:	--	Bearing - ODE:	6208ZC3

Enclosure is Totally Enclosed Fan-Cooled

Stamped Nameplate Notes:

IEEE-STD-841-2009

DE BRG 45BC03JP30 ODE BRG 40BC02JP30

STAMP NP249A5564P051 AS BELOW:

MODEL:5KS213XAA329D1 S/N: XXX

CSA CERTIFIED CSA09.2216219 FOR EX NA IIC 200C GC

CL 1 ZONE2 AEX NA IIC 200C;CL 1 DIV2 GRP ABCD 200C

IN -25C <= AMB <= 40C, 1.0 SF ON SINE-WAVE PWR

SURF TEMP 200C AT 1.15SF ON SINE-WAVE PWR

OR 200C VT OR 200C CT OR 200C CHP PWM CONTROL

ALTERNATE RATING FOR PWM CONTROL 1.0SF 40C AMB

VT 0 - 60 HZ, CT 3-60 HZ, CHP 60-90 HZ.



Additional Information:

6P - T EXTN
STANDARD FLOOR MOUNT
C/BOX 55 CU IN-1.00 NPT
F1 CONDUIT BOX MOUNTING
"C" FACE AT DE ENDSHIELD
PAINTED FRAME ID & SHAFT,
FAN COVER INSIDE & ODE E/S OUTSIDE
ROUTINE AND 5 POINT VIBRATION TESTS INCL IN C/BOX
INPRO SEAL BOTH ENDS
GROUND SCREW ON FRAME
ROTATE D.E. E/SHIELD 90 DEG. PER OUTLINE
SHAFT RUNOUT LIMIT .001" TIR
COPPER WASHER UNDER HEADS OF BEARING CAP BOLTS
APPLY TITE-SEAL (A50CD427A) ON BEARING CAP SCREWS, RABBETS,
AND PLUG THREADS
OIL RESISTANT SLEEVING ON LEADS



Performance Characteristics

1st Winding 1st Connection

Design: 21BD3003A

Marks:

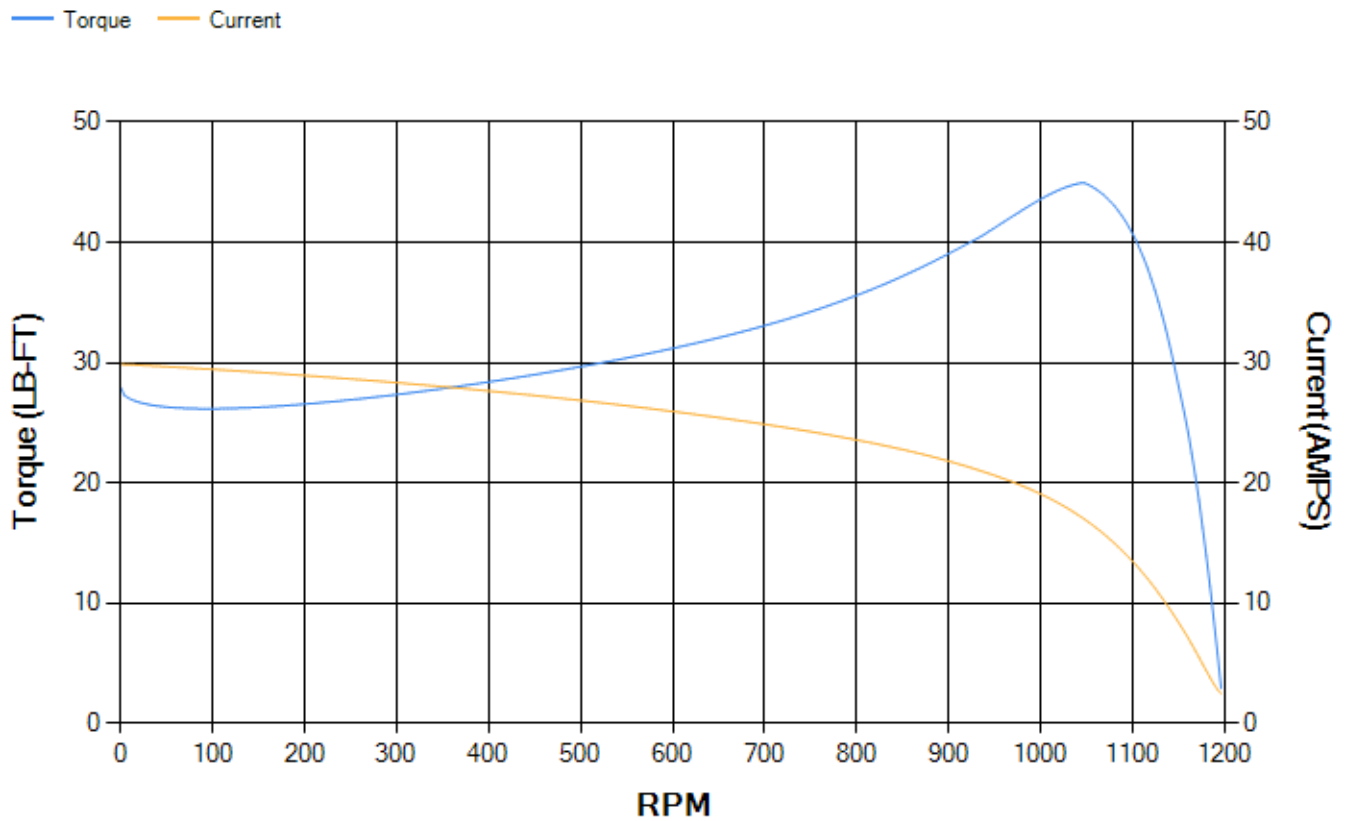
LOAD %	125.0	115.0	100.0	75.0	50.0	25.0	0.0
% EFF	88.65	89.07	89.73	89.72	88.5	82.66	0.00
% PF	76.93	75.68	73.09	66.09	53.88	33.85	5.62
AMPS	5.15	4.79	4.28	3.55	2.94	2.51	2.3

TORQ(FL)#FT	13.38	TORQ(LR)%FL	208.99	TORQ(BD)%FL	333.05
AMPS(LR)	29.87	PF AT START	0.46		

This motor is capable of two cold or one hot start with a maximum connected load inertia of 430 Lb-Ft Sq (18.1 Kg-meter Sq)at 100% voltage, where the load torque varies with the square of the speed. Acceleration time with maximum inertia and the above load type is 60 seconds. Safe stall time at 100% voltage is 133 seconds cold, 106 seconds hot. Rotor inertia is 0.64 Lb-Ft Sq (0.03 Kg-meter Sq).

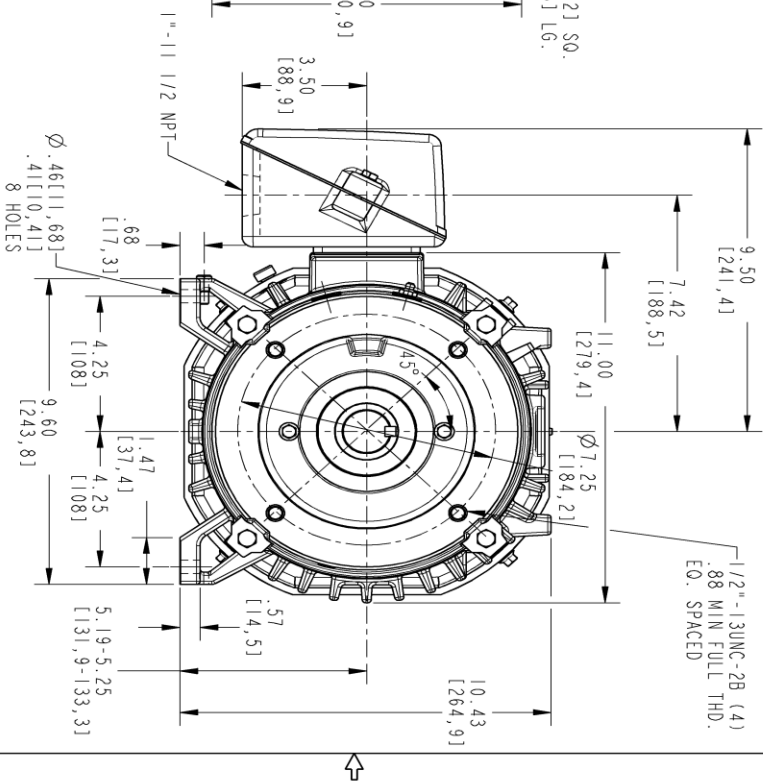
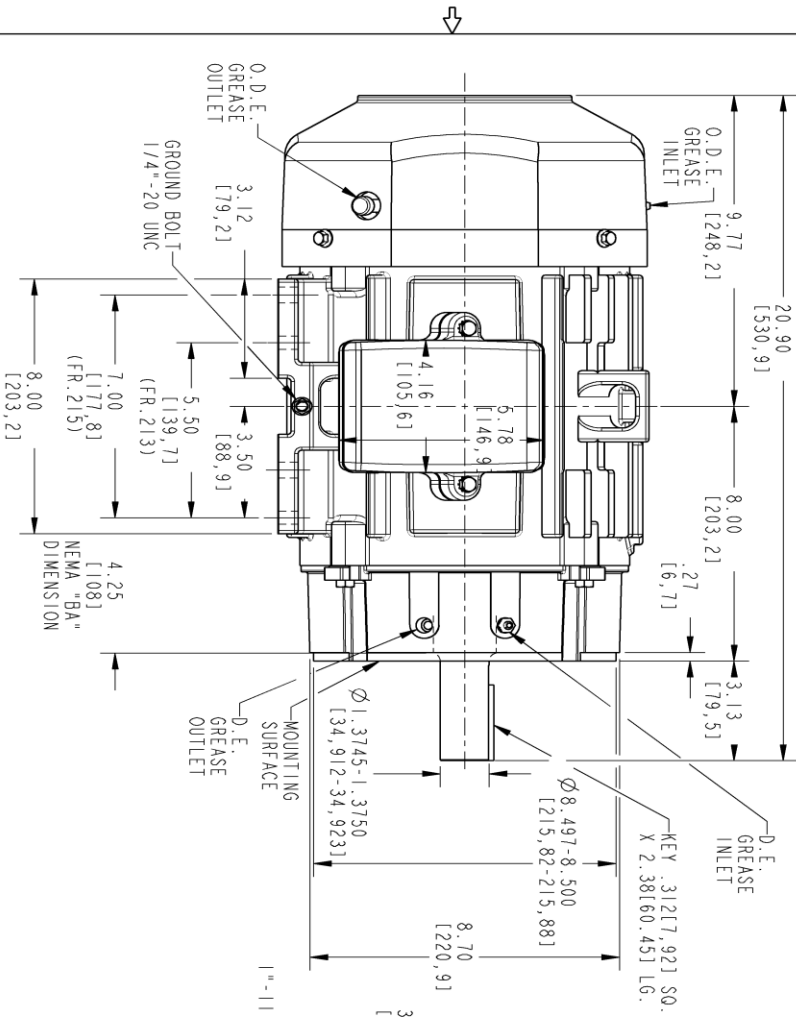
Open Circuit A-C:	0.238	Short Circuit D-C:	0.009
Short Circuit A-C:	0.015	X/R Ratio:	3.473
Stator Slots:	36	Rotor Slots:	44

Speed Torque Current Curve (First Connection, First Speed)



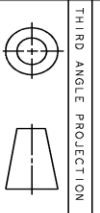
Marks:

- NOTE 1: CONDUIT BOX MAY BE ASSEMBLED WITH ENTRANCE UP, DOWN OR TO EITHER SIDE.
- NOTE 2: F1 ASSEMBLY AS SHOWN.
- NOTE 3: MOUNTING SURFACES WILL BE SQUARE AND CONCENTRIC WITH SHAFT WITHIN .004 T.I.R.
- NOTE 4: SHAFT RUNOUT NOT TO EXCEED .001 T.I.R.
- NOTE 5: D.E. ENDSHIELD ROTATED 90° COUNTER CLOCKWISE.
- NOTE 6: ALL DIMENSIONS ARE IN INCHES, BRACKETED DIMENSIONS ARE IN METRIC (MILLIMETERS)



PROPRIETARY INFORMATION
 © COPYRIGHT 2018 Wolog Electric America LLC AND/OR ITS AFFILIATES.
 All rights reserved. This document and the information it contains is the property of Wolog Electric America LLC and/or its affiliates. It has been provided solely for the use of the recipient for the specific project and may not be reproduced, stored in a retrieval system, or transmitted in any form or by any means, electronic, mechanical, photocopying, recording, or otherwise, without the prior written permission of Wolog Electric America LLC. Any unauthorized use or disclosure is strictly prohibited except as expressly authorized in writing by Wolog Electric America LLC.

REV.	DESCRIPTION	DATE	APPROVED
1	ISAC# 18-0869	11/01/18	PRASHANTH
2	ISAC# 21-0175	SACHIN 31/05/21	RAGHU



SIGNATURES	DATE	GE	TITLE
MODEL: LAKSHIKANTH	03/02/21	 GE INDUSTRIAL MOTORS a Wolog company	INDUCTION MOTOR OUTLINE IEEE-841 SPEC, "C" FACE AT DE (1850" RABERT) FR 2187C/216 TC TERC, 55 CL IN BOX
DETAIL: LAKSHIKANTH	03/02/21		
CREATED: PIVUSH	03/02/21		
CHKD: PIVUSH	03/02/21		
QUALITY: LAKSHIKANTH	03/11/21	SCALE: 0.300	REV: 002
SOLID MODEL: 4002B5821PBP5463		REF. No.: 4002B5821PBP5311	SHEET 1 of 1

Marks:

Connection Diagram
GEM2034E-FIG1



End shield Assembly		
Part Description	DE Side Part#	ODE Side Part#
End Shield	128D6006RF1	4004D5282SJ1
Bearing	235A2507EB01	235A2503AE01
Slinger/Inproseal	4002B5914GF3	4002B5914AG3

Fan & Fan Cover Assembly	
Part Description	Part#
Fan	159C6700G01
Fan Cover	4003C5787PA1

Conduit & Accessories Box Assembly	
Part Description	Part#
Conduit Box	4002B5721PA-G01

Mechanical Accessories	
Part Description	Part#
Brake	
Tachometer	

