



GE INDUSTRIAL MOTORS
a **WOLONG** company

Product Technical Information

June 25, 2020

Data shown is for the current revision model #. Ensure your nameplate model # matches.

Model Number:	5KS326XAA218C
Catalog Number:	M9390
Instruction Manual:	GEI-56128
Connection Diagram:	GEM2034E-FIG7
Outline Drawing:	239C6000RK

Accessory Connection Diagrams

Bearing Thermocouple:	None	Heater:	None
RTD:	None	Thermistor:	None
Thermostat:	None	Winding Thermocouple:	None
Bearing RTD:	None		

Table of Contents

Specification	01
Performance Characteristics	02
Outline Drawing	03
Connection Drawing(s)	04
Spare parts	05

Marks:

MODEL NUMBER:	5KS326XAA218C	Estimated Weight:	710 Lbs
Outline Drawing:	239C6000RK	Time Rating:	CONT
Connection Diagram:	GEM2034E-FIG7	Enclosure:	TEFC
Instruction Book:	GEI-56128	Encl Construction:	841
Design Code:	32BD1183A	Ambient Max(°C):	40
Type:	KS	Alt Ambient Max(°C):	--
Frame:	326TS	Insulation Class:	H
Phases:	3	NEMA Design:	B
Poles:	4	Nominal Efficiency:	94.5 %
Output Power:	50HP 37KW	Guaranteed Efficiency:	94.1 %
RPM:	1780	3/4 Load Efficiency:	94.8 %
Voltage:	460	KVA Code:	G
Hertz:	60	Max KVAR:	17.7
Amps - FL:	60.8	Power Factor:	81.5
Service Factor:	1.15	Bearing - DE:	6312ZC3
Alt Service Factor:	--	Bearing - ODE:	6312ZC3

Enclosure is Totally Enclosed Fan-Cooled

Stamped Nameplate Notes:

IEEE-STD-841-2009

DE BRG 60BC03JP30, ODE BRG 60BC03JP30

STAMP NP249A5564P051 AS BELOW:

MODEL:5KS326XAA218C S/N: XXX

CSA CERTIFIED CSA09.2216219 FOR EX NA IIC 200 C GC

CL 1 ZONE2 AEX NA IIC 200C;CL 1 DIV2 GRP ABCD 200C

IN -25C <= AMB <= 40C, 1.0 SF ON SINE-WAVE PWR

SURF TEMP 260C AT 1.15SF ON SINE-WAVE PWR

OR 200 C VT OR 230 C CT OR 200 C CHP PWM CONTROL

ALTERNATE RATING FOR PWM CONTROL 1.0SF 40C AMB

VT 0-60 HZ, CT 10-60 HZ, CHP 60-90 HZ.



Additional Information:

4P - TS EXTN
PAINTED FRAME ID & SHAFT,
FAN COVER INSIDE & ODE E/S OUTSIDE
346 CU IN - 3.00" NPT
INPRO SEAL BOTH ENDS
OIL RESISTANT SLEEVING ON LEADS
.0015" TIR SHAFT RUNOUT
ROUTINE TEST REPORT AND 5 POINT VIBRATION TEST
REPORT INCLUDED IN C/B
COPPER WASHER UNDER HEADS OF BEARING CAP BOLTS,
APPLY TITE-SEAL (A50CD427A) ON BEARING CAP SCREWS,
RABBETS AND PLUG THREADS.
GROUND PAD
F1 MOUNTING



Performance Characteristics

1st Winding 1st Connection

Design: 32BD1183A

Marks:

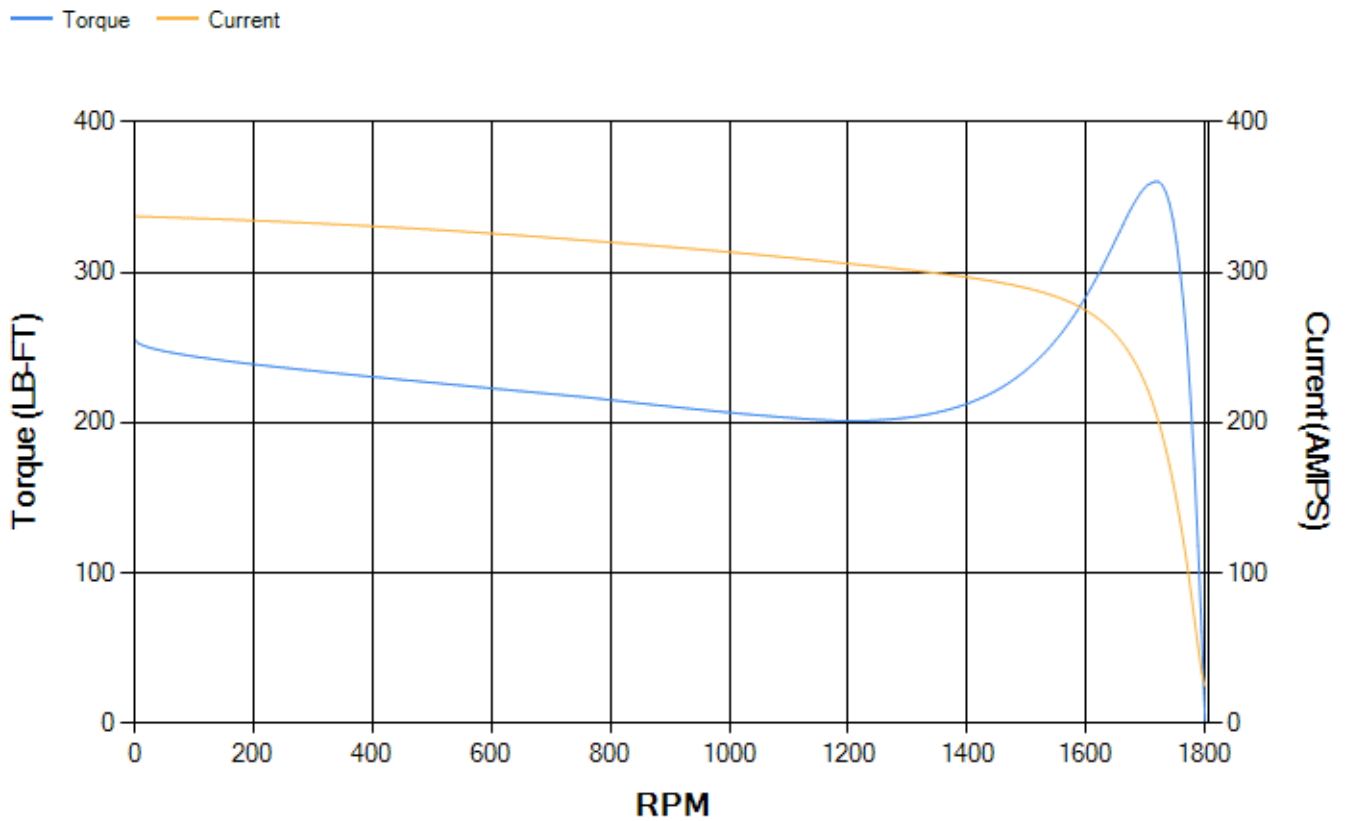
LOAD %	125.0	115.0	100.0	75.0	50.0	25.0	0.0
% EFF	93.77	94.07	94.64	94.79	94.49	91.93	0.00
% PF	83.04	82.57	81.28	76.81	66.71	44.37	3.33
AMPS	75.13	69.29	60.71	48.21	37.12	28.68	24.72

TORQ(FL)#FT	147.64	TORQ(LR)%FL	173.11	TORQ(BD)%FL	243.21
AMPS(LR)	337.38	PF AT START	0.34		

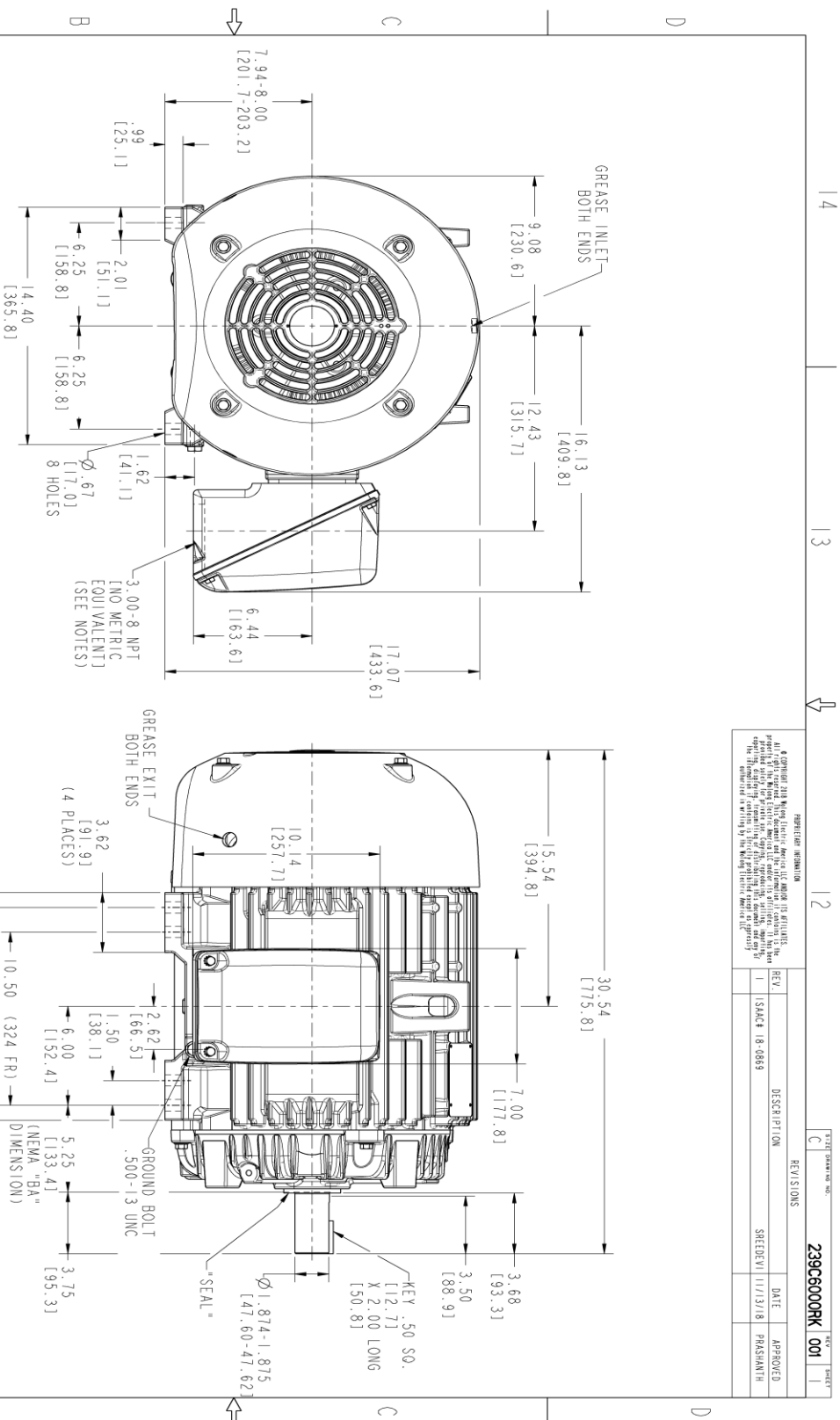
This motor is capable of two cold or one hot start with a maximum connected load inertia of 1058 Lb-Ft Sq (44.54 Kg-meter Sq) at 100% voltage, where the load torque varies with the square of the speed. Acceleration time with maximum inertia and the above load type is 34 seconds. Safe stall time at 100% voltage is 78 seconds cold, 40 seconds hot. Rotor inertia is 8.52 Lb-Ft Sq (0.36 Kg-meter Sq).

Open Circuit A-C:	0.51	Short Circuit D-C:	0.023
Short Circuit A-C:	0.031	X/R Ratio:	8.712
Stator Slots:	48	Rotor Slots:	38

Speed Torque Current Curve (First Connection, First Speed)



Marks:

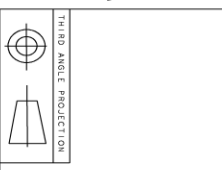


NOTES :

1. CONDUIT BOX MAY BE PLACED WITH THE ENTRANCE DOWN, UP OR ON EITHER SIDE.
2. F-1 ASM AS SHOWN.
3. BRACKETED DIMENSIONS ARE METRIC (MILLIMETERS).
4. TOLERANCE ON PERMISSIBLE SHAFT EXTENSION RUNOUT IS .0015 T.I.R.

REGISTERED INFORMATION
 © Copyright 2018 by GE Industrial Motors, LLC. All rights reserved. This drawing is the property of GE Industrial Motors, LLC. It is to be used for the design and construction of the product only. It is not to be used for any other purpose without the written consent of GE Industrial Motors, LLC. The information contained herein is confidential and its disclosure to any third party is prohibited.

REV.	DESCRIPTION	DATE	APPROVED
1	ISSUE 18-0869	11/13/18	PRASHANTH



SIGNATURES	DATE	TITLE
MODEL: TEJASNI	06/19/15	 GE INDUSTRIAL MOTORS a WOLONG company OUTLINE 324/326 TS TFC XSD 841 346 CU IN CONDUIT BOX 239C6000RK
CHECKED: KARTHICK	06/19/15	
DESIGN: VENKAT	06/19/15	
DATE: 06/19/15		

SCALE: 0.250	REF. NO: 239C6000AK	SHEET 1 OF 1
--------------	---------------------	--------------

Marks:

Connection Diagram
GEM2034E-FIG7



End shield Assembly		
Part Description	DE Side Part#	ODE Side Part#
End Shield	115E4200AA1	115E4200LA1
Bearing	235A2509AS01	235A2509AS01
Slinger/Inproseal	235A4575GS2	235A4575GS2

Fan & Fan Cover Assembly	
Part Description	Part#
Fan	159C6900G04
Fan Cover	128D6800AA1

Conduit & Accessories Box Assembly	
Part Description	Part#
Conduit Box	149C4429AA2

Mechanical Accessories	
Part Description	Part#
Brake	
Tachometer	

