



GE INDUSTRIAL MOTORS
a **WOLONG** company

Product Technical Information

June 23, 2020

Data shown is for the current revision model #. Ensure your nameplate model # matches.

Model Number:	5KS143XAA146B
Catalog Number:	M9402
Instruction Manual:	GEI-56128
Connection Diagram:	GEM2034E-FIG1
Outline Drawing:	4002B5814PDP5310

Accessory Connection Diagrams

Bearing Thermocouple:	None	Heater:	None
RTD:	None	Thermistor:	None
Thermostat:	None	Winding Thermocouple:	None
Bearing RTD:	None		

Table of Contents

Specification	01
Performance Characteristics	02
Outline Drawing	03
Connection Drawing(s)	04
Spare parts	05

Marks:

MODEL NUMBER:	5KS143XAA146B	Estimated Weight:	43 Lbs
Outline Drawing:	4002B5814PDP5310	Time Rating:	CONT
Connection Diagram:	GEM2034E-FIG1	Enclosure:	TEFC
Instruction Book:	GEI-56128	Encl Construction:	841
Design Code:	14BD0040A	Ambient Max(°C):	40
Type:	KS	Alt Ambient Max(°C):	--
Frame:	143TC	Insulation Class:	H
Phases:	3	NEMA Design:	B
Poles:	2	Nominal Efficiency:	84 %
Output Power:	1.5HP 1.1KW	Guaranteed Efficiency:	82.5 %
RPM:	3530	3/4 Load Efficiency:	83.9 %
Voltage:	460	KVA Code:	M
Hertz:	60	Max KVAR:	0.7
Amps - FL:	2.1	Power Factor:	79.0
Service Factor:	1.15	Bearing - DE:	6206ZC3
Alt Service Factor:	--	Bearing - ODE:	6205ZC3

Enclosure is Totally Enclosed Fan-Cooled

Stamped Nameplate Notes:

IEEE-STD-841-2009
 DE BRG 30BC02JP30 ODE BRG 25BC02JP30
 STAMP NP249A5564P051 AS BELOW:
 MODEL:5KS143XAA146B S/N: XXX
 CSA CERTIFIED CSA09.2216219 FOR EX NA IIC 200 C GC
 CL1 ZONE2 AEXNAIIC 200C FOR CL1DIV2 GRP ABCD 200C
 IN -25C <= AMB <= 40C, 1.0SF ON SINE-WAVE PWR
 SURF TEMP 200 C AT 1.15 SF ON SINE-WAVE PWR
 OR 200 C VT OR 200 C CT OR 200 C CHP PWM CONTROL
 ALTERNATE RATING FOR PWM CONTROL 1.0SF 40 C AMB
 VT 0-60 HZ, CT 3-60 HZ, CHP 60-90 HZ.

Additional Information:

2P - T EXTN
 C/BOX 30 CU IN-0.75 NPT
 "C" FACE AT DE ENDSHIELD ROUND FRAME
 VERTICAL MOUNT SHAFT DOWN WITH DRIPCOVER
 PAINTED FRAME ID & SHAFT,
 FAN COVER INSIDE & ODE E/S OUTSIDE
 ROUTINE AND 5 POINT VIBRATION TESTS INCL IN C/BOX
 INPRO SEAL BOTH ENDS
 BURNDY SERVIT POST ON FRAME
 SHAFT RUNOUT LIMIT .001" TIR
 COPPER WASHER UNDER HEADS OF BEARING CAP BOLTS
 APPLY TITE-SEAL (A50CD427A) ON BEARING CAP SCREWS, RABBETS,
 AND PLUG THREADS
 OIL RESISTANT SLEEVING ON LEADS





Performance Characteristics

1st Winding 1st Connection

Design: 14BD0040A

Marks:

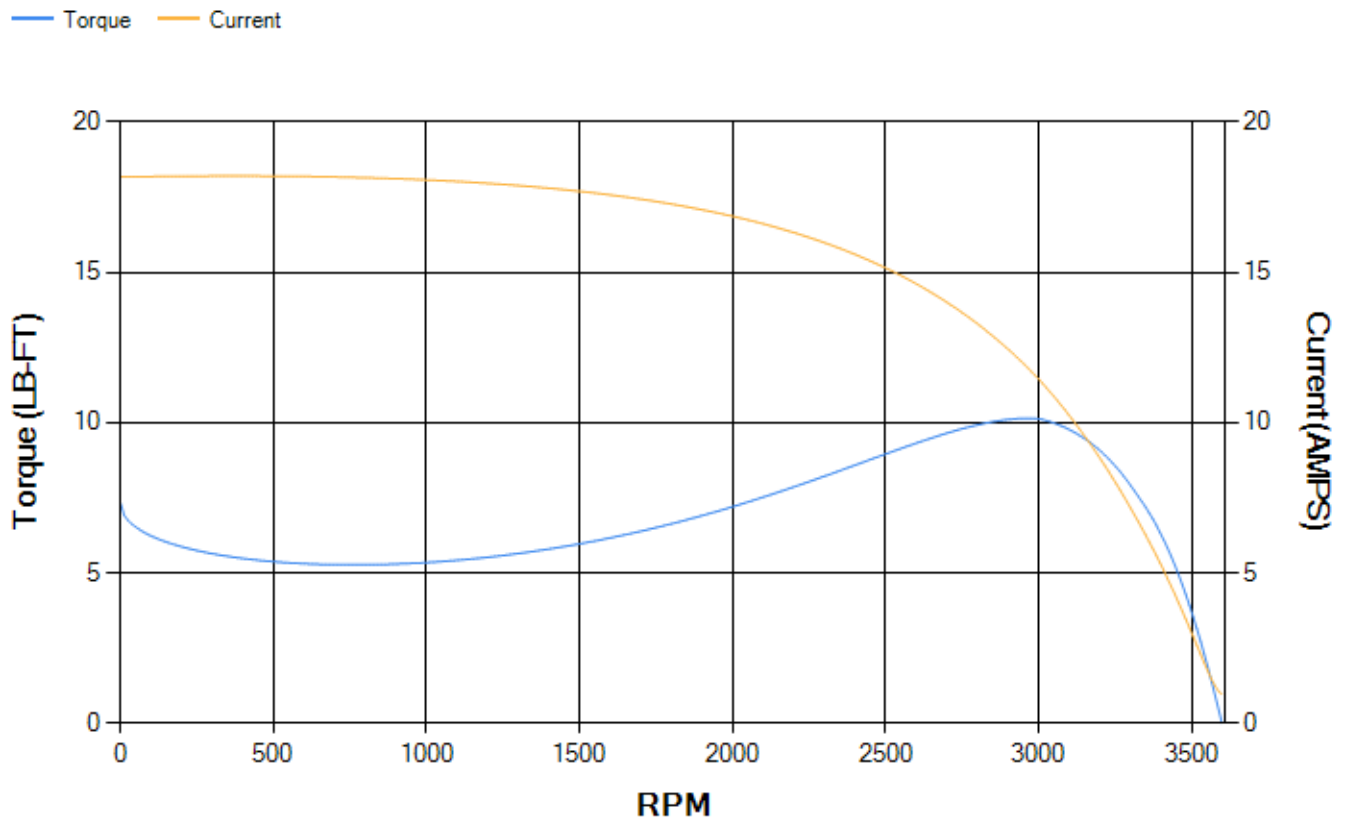
LOAD %	125.0	115.0	100.0	75.0	50.0	25.0	0.0
% EFF	84.06	84.32	84.67	83.83	80.98	71.27	0.00
% PF	83	81.57	82.69	71.62	59.46	39.52	12.53
AMPS	2.52	2.35	1.99	1.75	1.46	1.25	0.96

TORQ(FL)#FT	2.23	TORQ(LR)%FL	328.14	TORQ(BD)%FL	443.62
AMPS(LR)	18.18	PF AT START	0.57		

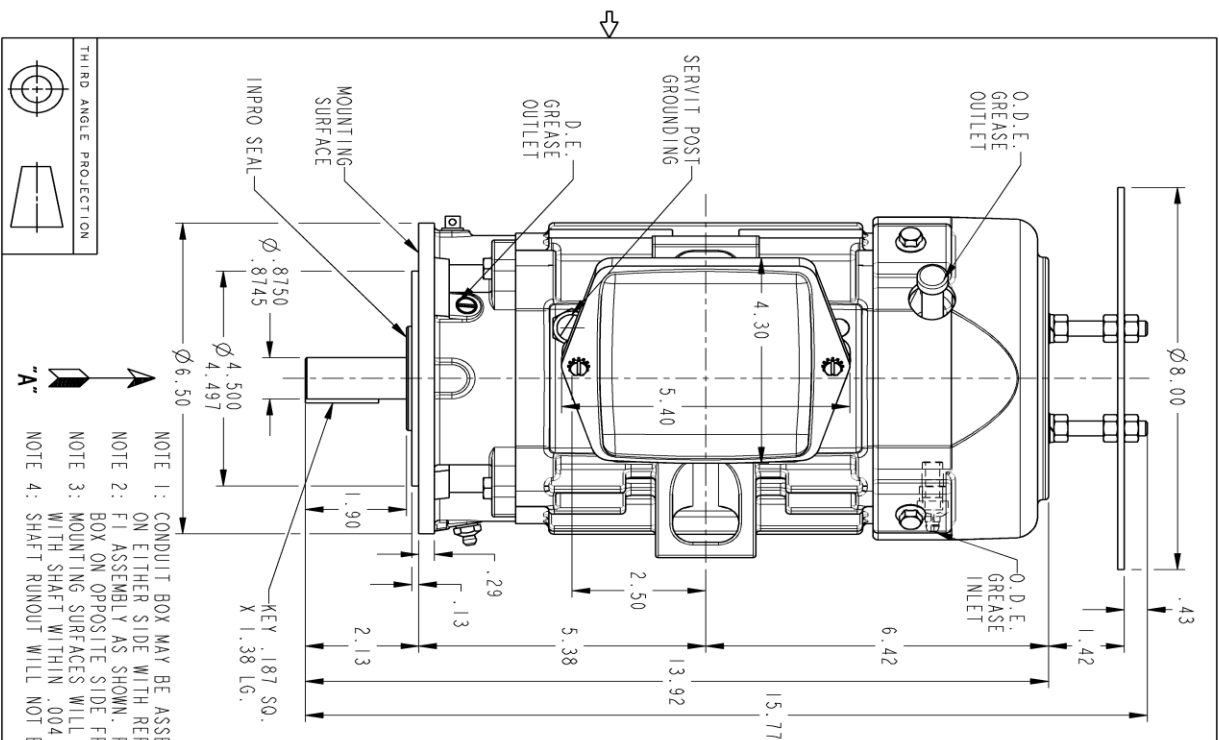
This motor is capable of two cold or one hot start with a maximum connected load inertia of 12 Lb-Ft Sq (0.51 Kg-meter Sq)at 100% voltage, where the load torque varies with the square of the speed. Acceleration time with maximum inertia and the above load type is 23 seconds. Safe stall time at 100% voltage is 50 seconds cold, 37 seconds hot. Rotor inertia is 0.04 Lb-Ft Sq (0 Kg-meter Sq).

Open Circuit A-C:	0.254	Short Circuit D-C:	0.005
Short Circuit A-C:	0.01	X/R Ratio:	1.805
Stator Slots:	24	Rotor Slots:	34

Speed Torque Current Curve (First Connection, First Speed)



Marks:

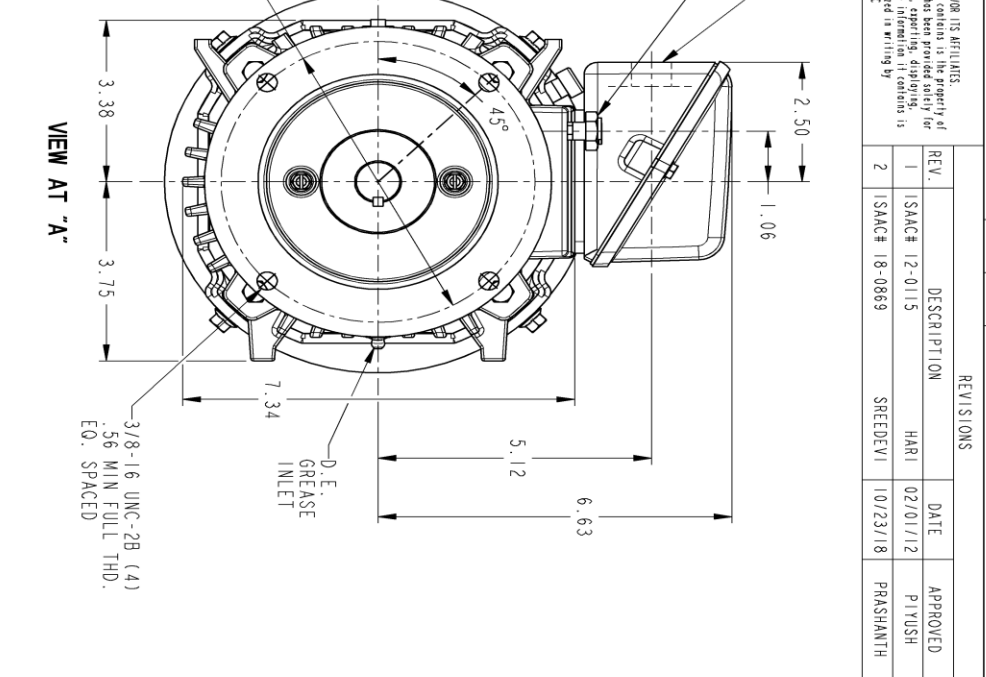


PROPRIETARY INFORMATION
 © COPYRIGHT 2018 Wolog Electric America LLC AND/OR ITS AFFILIATES.
 All rights reserved. This document and the information it contains is the property of the Wolog Electric America LLC and/or its affiliates. It has been provided solely for transmission to the recipient for their use only. No other use, reproduction, or distribution is permitted without the express written consent of the Wolog Electric America LLC. This information is strictly prohibited except as expressly authorized in writing by the Wolog Electric America LLC.

NOTE 1: CONDUIT BOX MAY BE ASSEMBLED WITH ENTRANCE ON EITHER SIDE WITH REFERENCE TO CURRENT LOCATION.
 NOTE 2: F1 ASSEMBLY AS SHOWN. F2 ASSEMBLY CONDUIT BOX ON OPPOSITE SIDE FROM SHOWN LOCATION.
 NOTE 3: MOUNTING SURFACES WILL BE SQUARE AND CONCENTRIC WITH SHAFT WITHIN .004 T.I.R.
 NOTE 4: SHAFT RUNOUT WILL NOT EXCEED .001 T.I.R.

SIGNATURES	DATE
MODEL	N PRASAD 05/10/05
DETAIL	ADINARAYANA 05/10/05
DESIGN	
ENG	
QC	
ISSUED	N PRASAD 05/10/05
SOLID MODEL: 4002B5814PDP5310	

REV.	DESCRIPTION	DATE	APPROVED
1	ISAC# 12-0115	02/01/12	P1YUSH
2	ISAC# 18-0869	10/23/18	PRASHANTH



GE INDUSTRIAL MOTORS
 a Wolog company

TITLE: INDUCTION MOTOR OUTLINE
 EEE-941 SPEC WITH CONDUIT BOX & DRIP COVER
 FM-140TC TFC 'C' FACE 1450 RABBIT, FOOTLESS

4002B5814PDP5310 002

SCALE: 0.450 REF. No.:

Marks:

Connection Diagram
GEM2034E-FIG1



End shield Assembly		
Part Description	DE Side Part#	ODE Side Part#
End Shield	4004D5289PB1	4004D5280SG1
Bearing	235A2502AM01	235A2500AF01
Slinger/Inproseal	4002B5914AM1	4002B5914AG1

Fan & Fan Cover Assembly	
Part Description	Part#
Fan	4001A5914AM-G01
Fan Cover	4003C5514BN-G01

Conduit & Accessories Box Assembly	
Part Description	Part#
Conduit Box	4002B5718PA-G01

Mechanical Accessories	
Part Description	Part#
Brake	
Tachometer	

