



GE INDUSTRIAL MOTORS
a **WOLONG** company

Product Technical Information

June 25, 2020

Data shown is for the current revision model #. Ensure your nameplate model # matches.

Model Number:	5KS365XAA208D12
Catalog Number:	M9463
Instruction Manual:	GEI-56128
Connection Diagram:	GEM2034E-FIG7
Outline Drawing:	239C6200RC

Accessory Connection Diagrams

Bearing Thermocouple:	None	Heater:	None
RTD:	None	Thermistor:	None
Thermostat:	None	Winding Thermocouple:	None
Bearing RTD:	None		

Table of Contents

Specification	01
Performance Characteristics	02
Outline Drawing	03
Connection Drawing(s)	04
Spare parts	05

Marks:

MODEL NUMBER:	5KS365XAA208D12	Estimated Weight:	1020 Lbs
Outline Drawing:	239C6200RC	Time Rating:	CONT
Connection Diagram:	GEM2034E-FIG7	Enclosure:	TEFC
Instruction Book:	GEI-56128	Encl Construction:	841
Design Code:	36BD1227A	Ambient Max(°C):	40
Type:	KS	Alt Ambient Max(°C):	--
Frame:	365T	Insulation Class:	H
Phases:	3	NEMA Design:	B
Poles:	4	Nominal Efficiency:	95.4 %
Output Power:	75HP 55.5KW	Guaranteed Efficiency:	95.0 %
RPM:	1785	3/4 Load Efficiency:	95.5 %
Voltage:	460	KVA Code:	G
Hertz:	60	Max KVAR:	26.6
Amps - FL:	89.2	Power Factor:	82.5
Service Factor:	1.15	Bearing - DE:	6314ZC3
Alt Service Factor:	--	Bearing - ODE:	6314ZC3

Enclosure is Totally Enclosed Fan-Cooled

Stamped Nameplate Notes:

IEEE-STD-841-2009

DE BRG 70BC03JP30, ODE BRG 70BC03JP30

STAMP NP249A5564P051 AS BELOW:

MODEL:5KS365XAA208D12 S/N: XXX

CSA CERTIFIED CSA09.2216219 FOR EX NA IIC 200 C GC

CL 1 ZONE2 AEX NA IIC 200C;CL 1 DIV2 GRP ABCD 200C

IN -25C <= AMB <= 40C, 1.0 SF ON SINE-WAVE PWR

SURF TEMP 260C AT 1.15SF ON SINE-WAVE PWR

OR 200 C VT OR 230 C CT OR 200 C CHP PWM CONTROL

ALTERNATE RATING FOR PWM CONTROL 1.0SF 40C AMB

VT 0-60 HZ, CT 10-60 HZ, CHP 60-90 HZ.



Additional Information:

4P - T EXTN
PAINTED FRAME ID & SHAFT,
FAN COVER INSIDE & ODE E/S OUTSIDE
346 CU IN - 3.00" NPT
INPRO SEAL BOTH ENDS
OIL RESISTANT SLEEVING ON LEADS
.0015" TIR SHAFT RUNOUT
ROUTINE TEST REPORT AND 5 POINT VIBRATION TEST
REPORT INCLUDED IN C/B
COPPER WASHER UNDER HEADS OF BEARING CAP BOLTS,
APPLY TITE-SEAL (A50CD427A) ON BEARING CAP SCREWS,
RABBETS AND PLUG THREADS.
GROUND PAD
F1 MOUNTING



Performance Characteristics

1st Winding 1st Connection

Design: 36BD1227A

Marks:

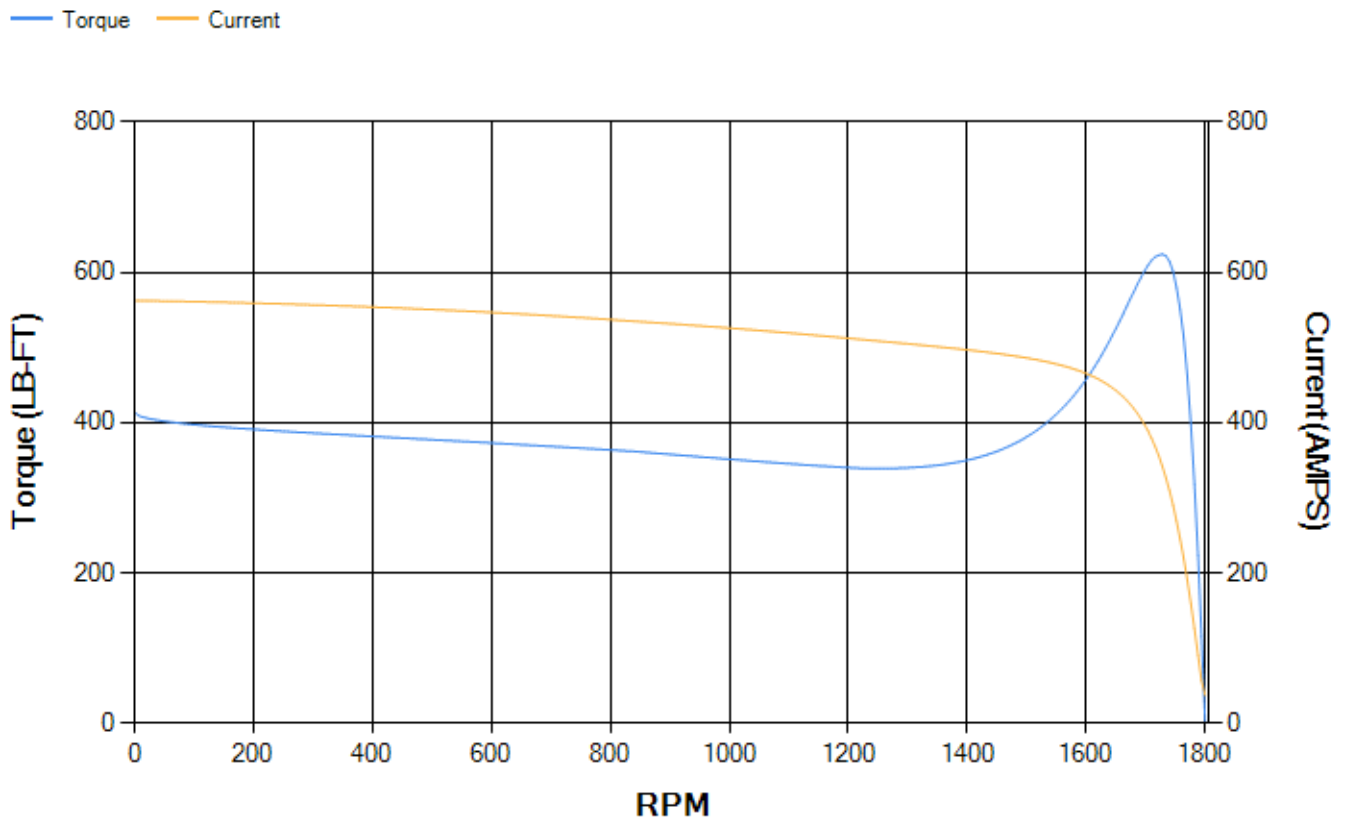
LOAD %	125.0	115.0	100.0	75.0	50.0	25.0	0.0
% EFF	94.85	95.06	95.52	95.53	95.19	92.82	0.00
% PF	84.6	83.94	82.4	77.53	67	44.19	2.93
AMPS	109.35	101.17	89	71.08	55.03	42.78	37.09

TORQ(FL)#FT	220.86	TORQ(LR)%FL	187.39	TORQ(BD)%FL	281.77
AMPS(LR)	562.56	PF AT START	0.32		

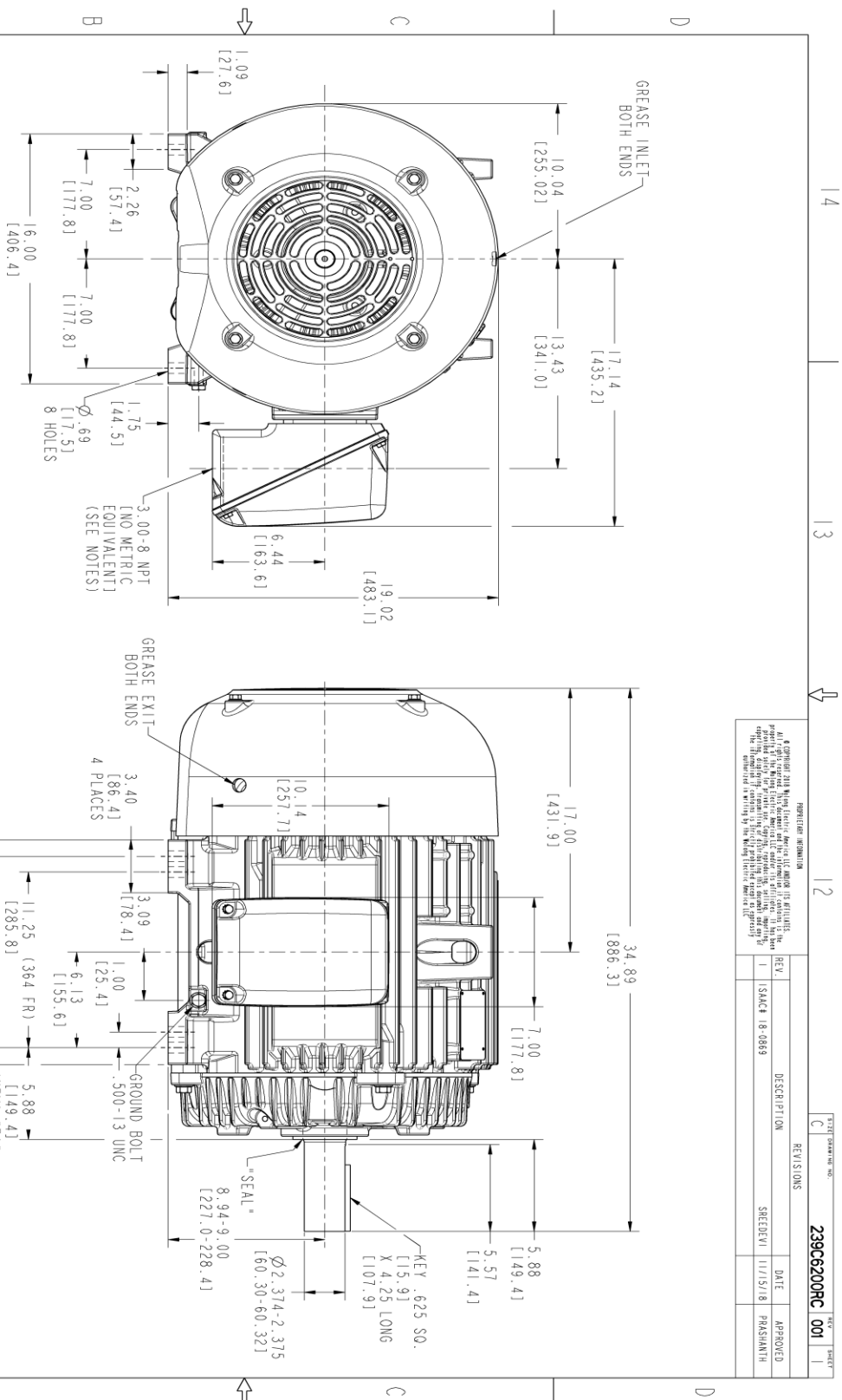
This motor is capable of two cold or one hot start with a maximum connected load inertia of 1432 Lb-Ft Sq (60.29 Kg-meter Sq) at 100% voltage, where the load torque varies with the square of the speed. Acceleration time with maximum inertia and the above load type is 27 seconds. Safe stall time at 100% voltage is 65 seconds cold, 32 seconds hot. Rotor inertia is 15.13 Lb-Ft Sq (0.64 Kg-meter Sq).

Open Circuit A-C:	0.625	Short Circuit D-C:	0.025
Short Circuit A-C:	0.034	X/R Ratio:	9.412
Stator Slots:	60	Rotor Slots:	50

Speed Torque Current Curve (First Connection, First Speed)



Marks:



- NOTES :
1. CONDUIT BOX MAY BE PLACED WITH THE ENTRANCE DOWN, UP OR ON EITHER SIDE.
 2. F-1 ASM AS SHOWN.
 3. F-2 ASM HAS CONDUIT BOX ON OPPOSITE SIDE.
 4. BRACKETED DIMENSIONS ARE METRIC (MILLIMETERS).
 5. TOLERANCE ON PERMISSIBLE SHAFT EXTENSION RUNOUT IS .0015 T.I.R.

REGISTRATION INFORMATION

© Copyright 2018 Wabtec Electric America LLC and/or its affiliates. All rights reserved. This document is the property of Wabtec Electric America LLC and/or its affiliates. No part of this document may be reproduced, stored in a retrieval system, or transmitted in any form or by any means, electronic, mechanical, photocopying, recording, or by any information storage and retrieval system, without the prior written permission of Wabtec Electric America LLC. The information contained herein is the confidential and proprietary information of Wabtec Electric America LLC.

REV.	DESCRIPTION	DATE	APPROVED
1	ISACH 18-0869	11/15/18	PRASHANTH

REV: 1
DESCRIPTION: 239C6200RC
DATE: 11/15/18
APPROVED: PRASHANTH

THIRD ANGLE PROJECTION

14 13 12 11

SIGNATURES	DATE
TEJASNI	06/19/15
TEJASNI	06/19/15
TEJASNI	06/19/15
TEJASNI	06/19/15
TEJASNI	06/19/15

GE INDUSTRIAL MOTORS
A WOLONG company

OUTLINE

364/365 T TEFC XSD 841

346 CU IN CONDUIT BOX

239C6200RC

SCALE: 0.240 REF. NO: 239C6200A6

SHEET 1 OF 1

Marks:

Connection Diagram
GEM2034E-FIG7



End shield Assembly		
Part Description	DE Side Part#	ODE Side Part#
End Shield	115E4250AA1	115E4250LK1
Bearing	235A2516AC01	235A2516AC01
Slinger/Inproseal	235A4575GS3	235A4575GS3

Fan & Fan Cover Assembly	
Part Description	Part#
Fan	159C7100AA1
Fan Cover	128D6810AA1

Conduit & Accessories Box Assembly	
Part Description	Part#
Conduit Box	149C4429AA2

Mechanical Accessories	
Part Description	Part#
Brake	
Tachometer	

