



**GE INDUSTRIAL MOTORS**  
a **WOLONG** company

# Product Technical Information

August 14, 2020

Data shown is for the current revision model #. Ensure your nameplate model # matches.

<b>Model Number:</b>	<b>5KS405XAA118D8</b>
<b>Catalog Number:</b>	<b>M9466</b>
<b>Instruction Manual:</b>	GEI-56128
<b>Connection Diagram:</b>	GEM2034E-FIG7
<b>Outline Drawing:</b>	239C6400RA

## Accessory Connection Diagrams

<b>Bearing Thermocouple:</b>	None	<b>Heater:</b>	None
<b>RTD:</b>	None	<b>Thermistor:</b>	None
<b>Thermostat:</b>	None	<b>Winding Thermocouple:</b>	None
<b>Bearing RTD:</b>	None		

## Table of Contents

Specification	01
Performance Characteristics	02
Outline Drawing	03
Connection Drawing(s)	04
Spare parts	05

Marks:

<b>MODEL NUMBER:</b>	<b>5KS405XAA118D8</b>	<b>Estimated Weight:</b>	1510 Lbs
<b>Outline Drawing:</b>	239C6400RA	<b>Time Rating:</b>	CONT
<b>Connection Diagram:</b>	GEM2034E-FIG7	<b>Enclosure:</b>	TEFC
<b>Instruction Book:</b>	GEI-56128	<b>Encl Construction:</b>	841
<b>Design Code:</b>	40BD0052A	<b>Ambient Max(°C):</b>	40
<b>Type:</b>	KS	<b>Alt Ambient Max(°C):</b>	--
<b>Frame:</b>	405TS	<b>Insulation Class:</b>	H
<b>Phases:</b>	3	<b>NEMA Design:</b>	B
<b>Poles:</b>	2	<b>Nominal Efficiency:</b>	95.0 %
<b>Output Power:</b>	100HP 74KW	<b>Guaranteed Efficiency:</b>	94.5 %
<b>RPM:</b>	3565	<b>3/4 Load Efficiency:</b>	--
<b>Voltage:</b>	460	<b>KVA Code:</b>	G
<b>Hertz:</b>	60	<b>Max KVAR:</b>	17.0
<b>Amps - FL:</b>	108.0	<b>Power Factor:</b>	91.0
<b>Service Factor:</b>	1.15	<b>Bearing - DE:</b>	6213ZC3
<b>Alt Service Factor:</b>	--	<b>Bearing - ODE:</b>	6213ZC3

Enclosure is Totally Enclosed Fan-Cooled

---

Stamped Nameplate Notes:

DE BRG 65BC02JP30, ODE BRG 65BC02JP30  
 STAMP NP249A5564P051 AS BELOW:  
 MODEL:5KS405XAA118D8 S/N: XXX  
 CSA CERTIFIED CSA09.2216219 FOR EX NA IIC 200 C GC  
 CL 1 ZONE2 AEX NA IIC 200C;CL 1 DIV2 GRP ABCD 200C  
 IN -25C <= AMB <= 40C, 1.0 SF ON SINE-WAVE PWR  
 SURF TEMP 215C AT 1.15SF ON SINE-WAVE PWR  
 OR 200 C VT OR 230 C CT OR --- C CHP PWM CONTROL  
 ALTERNATE RATING FOR PWM CONTROL 1.0SF 40C AMB  
 VT 0-60 HZ, CT 8.6-60 HZ, CHP --- HZ.  
 EXCEPTION TO IEEE-STD-841-2009:SOUND POWER 92 DBA



**Additional Information:**

2P - TS EXTN  
PAINTED FRAME ID & SHAFT,  
FAN COVER INSIDE & ODE E/S OUTSIDE  
700 CU IN - 3.00" NPT  
INPRO SEAL BOTH ENDS  
OIL RESISTANT SLEEVING ON LEADS  
.0015" TIR SHAFT RUNOUT  
ROUTINE TEST REPORT AND 5 POINT VIBRATION TEST  
REPORT INCLUDED IN C/B  
COPPER WASHER UNDER HEADS OF BEARING CAP BOLTS,  
APPLY TITE-SEAL (A50CD427A) ON BEARING CAP SCREWS,  
RABBETS AND PLUG THREADS.  
GROUND PAD  
F1 MOUNTING



**Performance Characteristics**

1st Winding 1st Connection

**Design: 40BD0052A**

**Marks:**

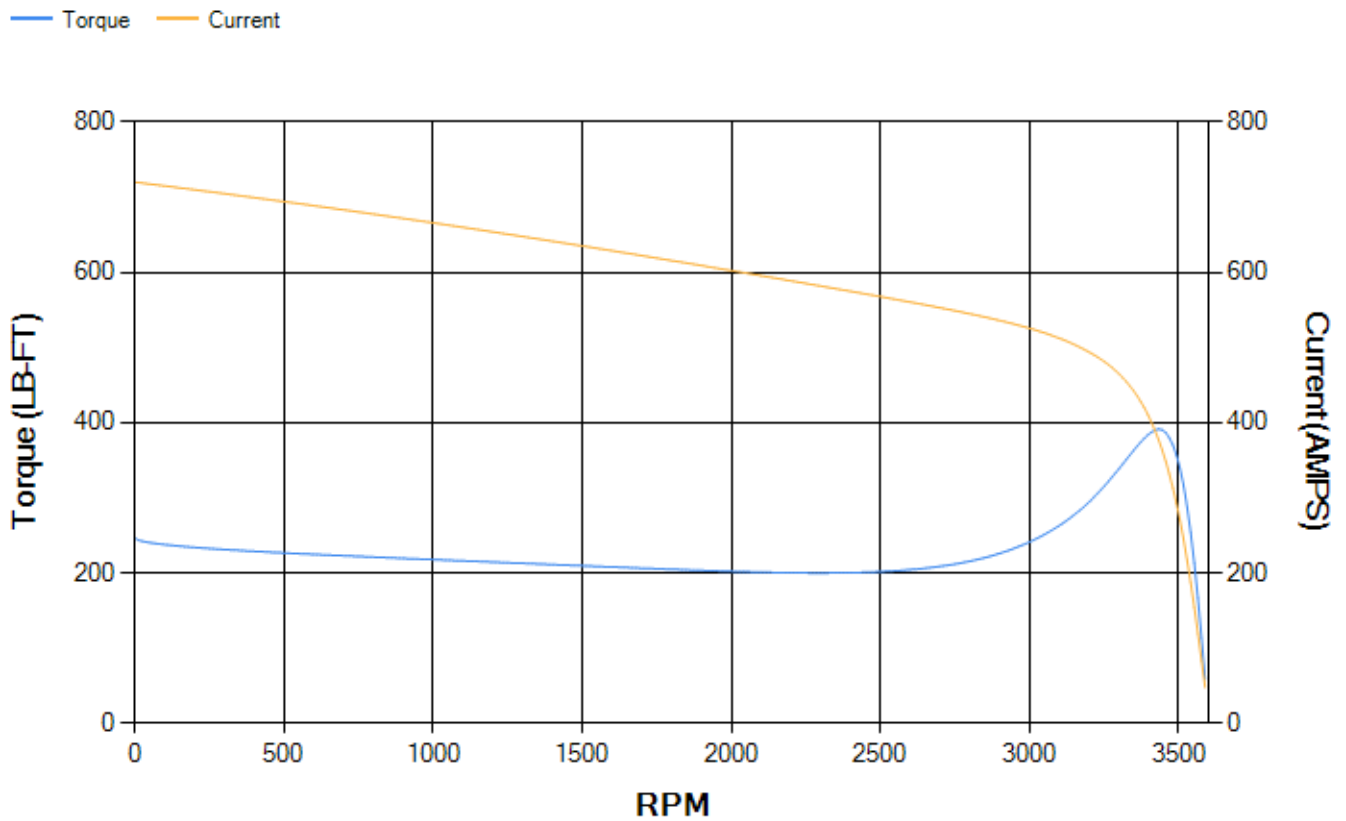
LOAD %	125.0	115.0	100.0	75.0	50.0	25.0	0.0
% EFF	94.74	94.97	95.45	95.48	95.12	92.72	0.00
% PF	90.92	91.11	91.12	90.05	85.92	70.37	6.67
AMPS	135.81	124.39	107.62	81.65	57.26	35.86	23.79

<b>TORQ(FL)#FT</b>	147.31	<b>TORQ(LR)%FL</b>	167.5	<b>TORQ(BD)%FL</b>	265.45
<b>AMPS(LR)</b>	720.25	<b>PF AT START</b>	0.25		

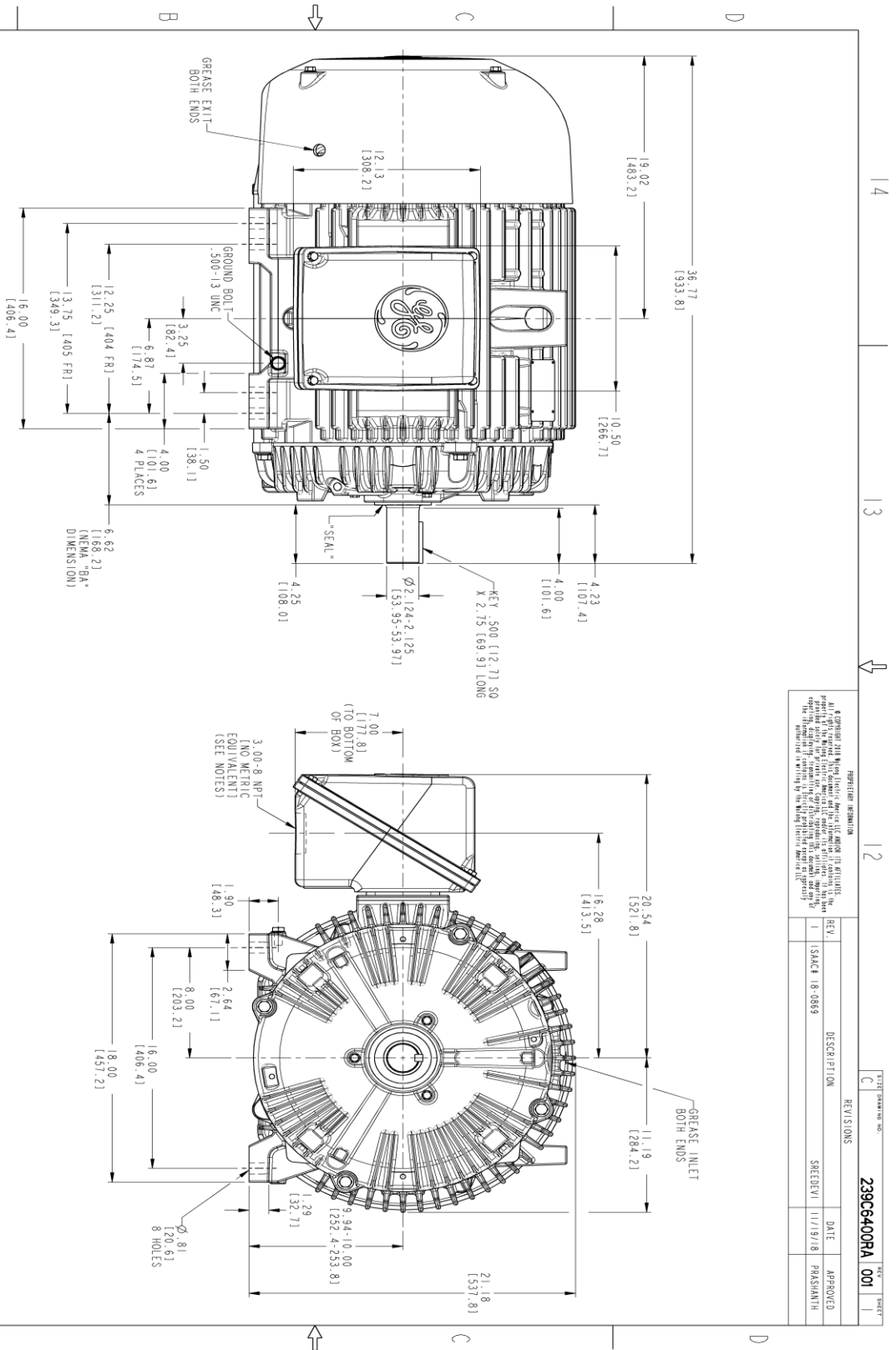
This motor is capable of two cold or one hot start with a maximum connected load inertia of 362 Lb-Ft Sq (15.24 Kg-meter Sq)at 100% voltage, where the load torque varies with the square of the speed. Acceleration time with maximum inertia and the above load type is 24 seconds. Safe stall time at 100% voltage is 58 seconds cold, 29 seconds hot. Rotor inertia is 15.02 Lb-Ft Sq (0.63 Kg-meter Sq).

<b>Open Circuit A-C:</b>	1.211	<b>Short Circuit D-C:</b>	0.03
<b>Short Circuit A-C:</b>	0.044	<b>X/R Ratio:</b>	11.377
<b>Stator Slots:</b>	48	<b>Rotor Slots:</b>	38

**Speed Torque Current Curve (First Connection, First Speed)**



Marks:



REVISION INFORMATION

REV.	DESCRIPTION	DATE	APPROVED
1	ISSUE	11/19/18	PARSHANTH

239C6400RA 001

- NOTES:
1. CONDUIT BOX MAY BE PLACED WITH THE ENTRANCE DOWN, UP OR ON EITHER SIDE.
  2. F-1 ASSEMBLY AS SHOWN.
  3. F-2 ASSEMBLY CONDUIT BOX ON OPPOSITE SIDE.
  4. BRACKETED DIMENSIONS ARE METRIC (MILLIMETERS).
  5. TOLERANCE ON PERMISSIBLE SHAFT EXTENSION RIMOUT IS .0015 T.I.R.



SIGNATURES	DATE	TITLE
MODEL: TEJSMI 06/29/15		<p><b>GE INDUSTRIAL MOTORS</b> A WOLONG company</p> <p><b>OUTLINE</b> 404/405 TS TEFC XSD 841 700 CU. IN. CONDUIT BOX</p> <p><b>239C6400RA</b></p>
REVISE: TEJSMI 06/29/15		
CHECKED: VEKMAT 06/29/15		
DESIGN: VEKMAT 06/29/15		
DATE: 06/29/15		
ISSUED: TEJSMI 06/29/15		SIZE: DRAWING
SOLD MODEL: 239C6400RA		SCALE: 0.250
		REF. NO: 239C6400RH
		SHEET 1 OF 1

Marks:

**Connection Diagram**  
**GEM2034E-FIG7**



End shield Assembly		
Part Description	DE Side Part#	ODE Side Part#
End Shield	115E4305AA1	115E4305LL1
Bearing	235A2517AC01	235A2517AC01
Slinger/Inproseal	235A4575GS3	235A4575GS3

Fan & Fan Cover Assembly	
Part Description	Part#
Fan	159C7100AA11
Fan Cover	128D6832AA1

Conduit & Accessories Box Assembly	
Part Description	Part#
Conduit Box	118D4408AD2

Mechanical Accessories	
Part Description	Part#
Brake	
Tachometer	

